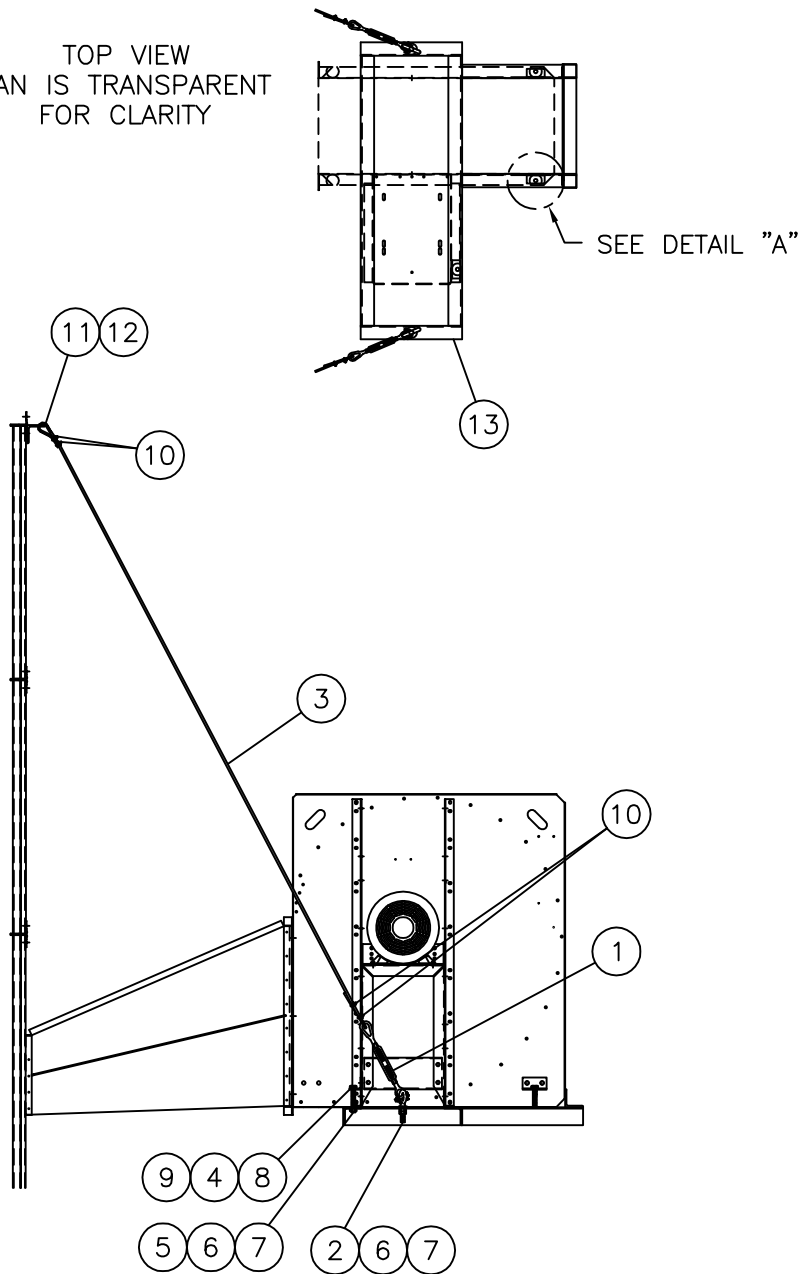
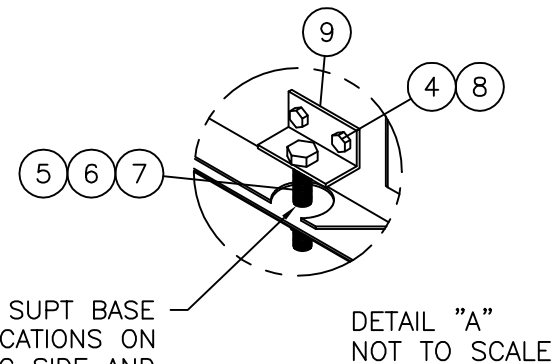


TOP VIEW
FAN IS TRANSPARENT
FOR CLARITY



ITEM	QTY	PART NO.	DESCRIPTION
13	1	VARIES	SUPPORT FAN CENTRIFUGAL BASE

HARDWARE PACKAGE CONSISTING OF THE FOLLOWING PARTS			
1	2	104118	TURNBUCKLE,.750X6.0,JAW/EYE,GALV
2	2	434217	BOLT,EYE,3/4-10X2.0,W/SHLDR,PLTD
3	40	460899	STL CBL,.250,AIRCRAFT,7X19
4	6	464842	BOLT,HHCS,1/2-13X1.50,GR5,PLTD
5	3	464933	BOLT,HHCS,3/4-10X4.50,PLTD
6	8	753244	NUT,3/4-10,HEX,PLTD
7	5	753251	WASHER,LOCK,3/4,PLTD
8	6	773812	NUT,1/2-13,HEX-WHIZFLNG,PLTD
9	3	9274969	BRKT LEVELING FOOT CENT GALV
10	8	960333	CLAMP,CBL,.250,MALLEABLE IRON BASE
11	2	963282	STL CBL,THIMBLE,.250,OPEN,GALV
12	2	9751926	SUPT FAN TIE BRACKET



FIELD DRILL SUPT BASE
AT THREE LOCATIONS ON
EACH HOUSING SIDE AND
MTR MNT LOCATIONS.

DETAIL "A"
NOT TO SCALE

			MATERIAL:	ASSEMBLY	FIN.WT.	X	DWG/PART NAME:			MANUAL,KIT,CENT SUPPORT,AGRI				
X	X	X	TOLERANCES UNLESS OTHERWISE SPECIFIED		DIMENSIONS IN BRACKETS [] ARE METRIC EQUIVALENTS		THIS DRAWING AND ALL INFORMATION THEREON IS THE PROPERTY OF CHIEF INDUSTRIES INC., KEARNEY, NEBRASKA. IT IS LOANED CONFIDENTIALLY AND MUST NOT BE USED IN ANY WAY DETRIMENTAL TO CHIEF INDUSTRIES INC.			DRAWN BY: JBM CHECKED BY: PDO APPROVED BY: PDO	DATE: 08-12-09 DATE: 05-08-13 DATE: 05-08-13	SIZE: A SCALE: 1/32"=1"	DWG/PART NO:	705414
REVISIONS			FRACTIONS +- 1/32 DECIMALS +- .031 ANGLES +- 1/4											