



CS90 Truck Probe



Trust the **ALL-ELECTRIC** Chief CS90 Truck Probe for reliable samples and ease of use!

For accuracy, dependability, and ease of installation, turn to the **ALL-ELECTRIC** Chief CS90 Truck Probe! It is fully compliant with standards set forth by ISO-13690, assuring you of obtaining samples that reliably represent the quality and condition of the entire load.

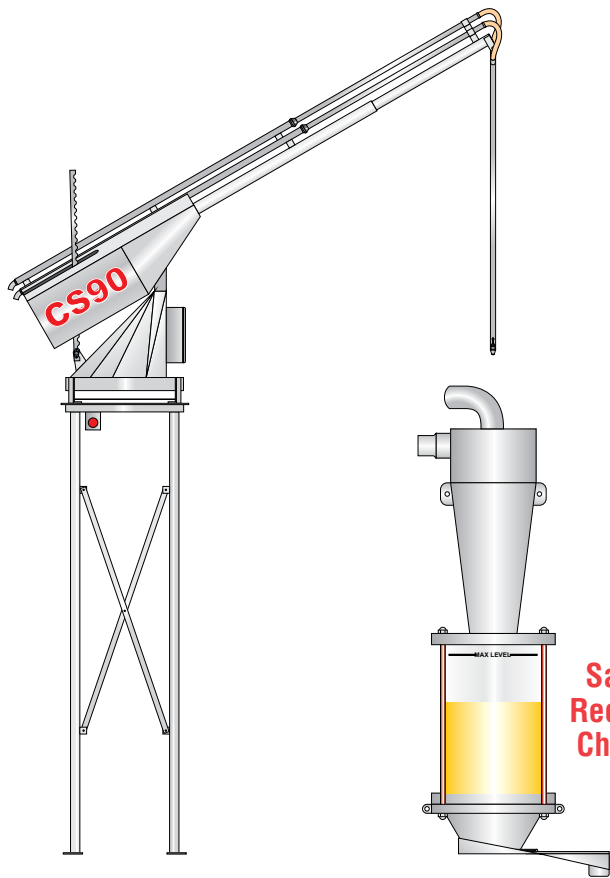
The **ALL-ELECTRIC** Chief CS90 Truck Probe is ideal for commercial grain elevators with large material storage capabilities, eliminating many of the health and safety risks associated with manual sampling. Thanks to its versatility, it can also be used by grain and seed dealers, feed mills, flour mills, bulk powder producers and users, breweries and distillers, pet food manufacturers, bulk material processors, and others.

Use the Chief CS90 Truck Probe to assess the quality and condition of:

- Dry powders and milled products
- Seeds
- Cereals
- Corn or beans
- Animal feed pellets
- More!

Installations that are more than 100 ft must be specified at the time of the quote.

**We Engineer
Relationships.®**



Chief CS90 Truck Probe provides reliable samplings:

The patented spear design defies gravity to obtain samples from the very bottom of the load, thus assuring a truly representative assessment of the load's quality and condition.

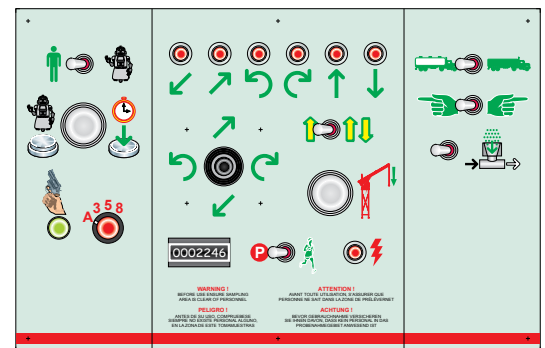
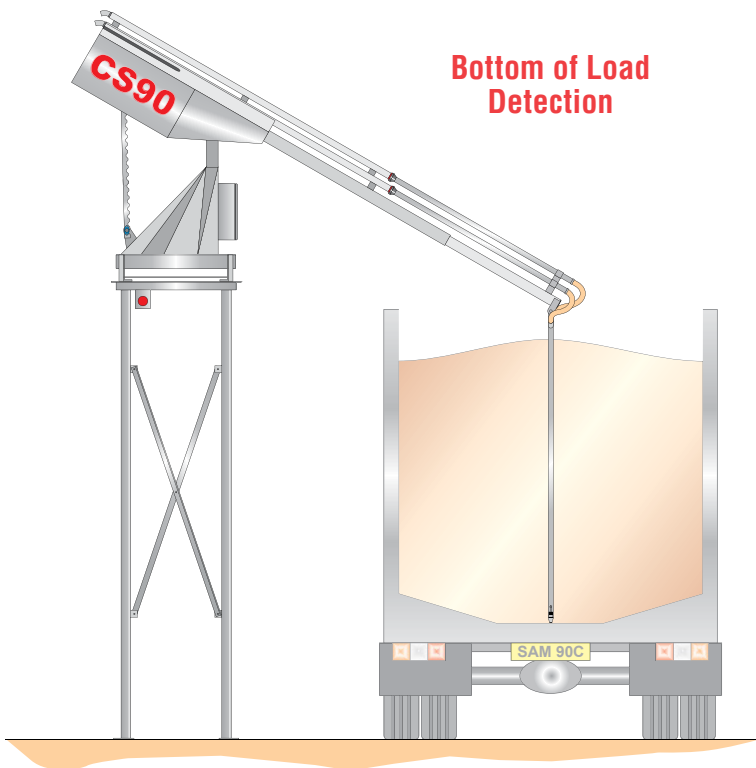
A 350° extendable rotating arm facilitates random sampling patterns to help detect mixed loads.

Variable volumes of samples are possible by adjusting the spear aperture.

Samples are automatically transported to a Sample Reception Chamber where they are instantly viewed through a transparent viewing tube.

The lightweight and easy-to-use Joystick Control Unit allows for safer and more efficient operation.

The Chief CS90 Truck Probe is manufactured to high quality standards for excellent performance and durability.



Joystick Control Unit



tekpro.com

Licensed agreement with Chief Agri/Industrial

We reserve the right to alter these specifications without prior written notice.



P.O. Box 848 | Kearney, Nebraska 68848 USA
 Phone (308) 237-3186 | Toll Free (800) 359-7600 | Fax (308) 389-6703
www.agri.chiefind.com