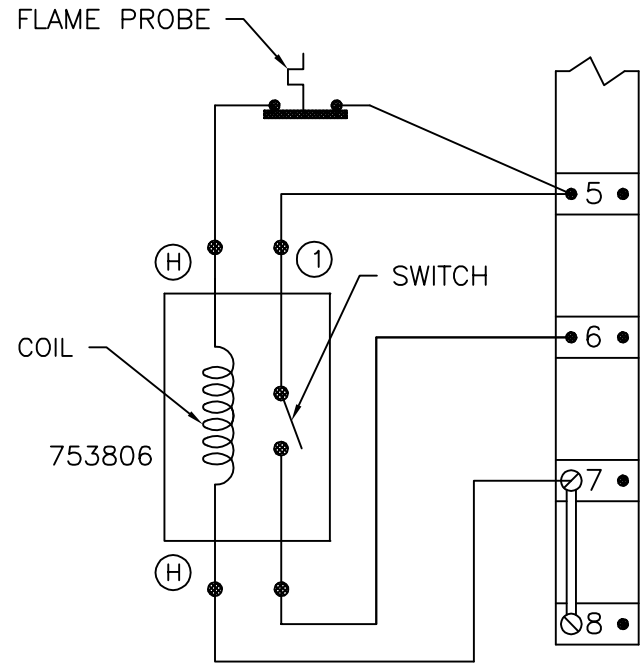


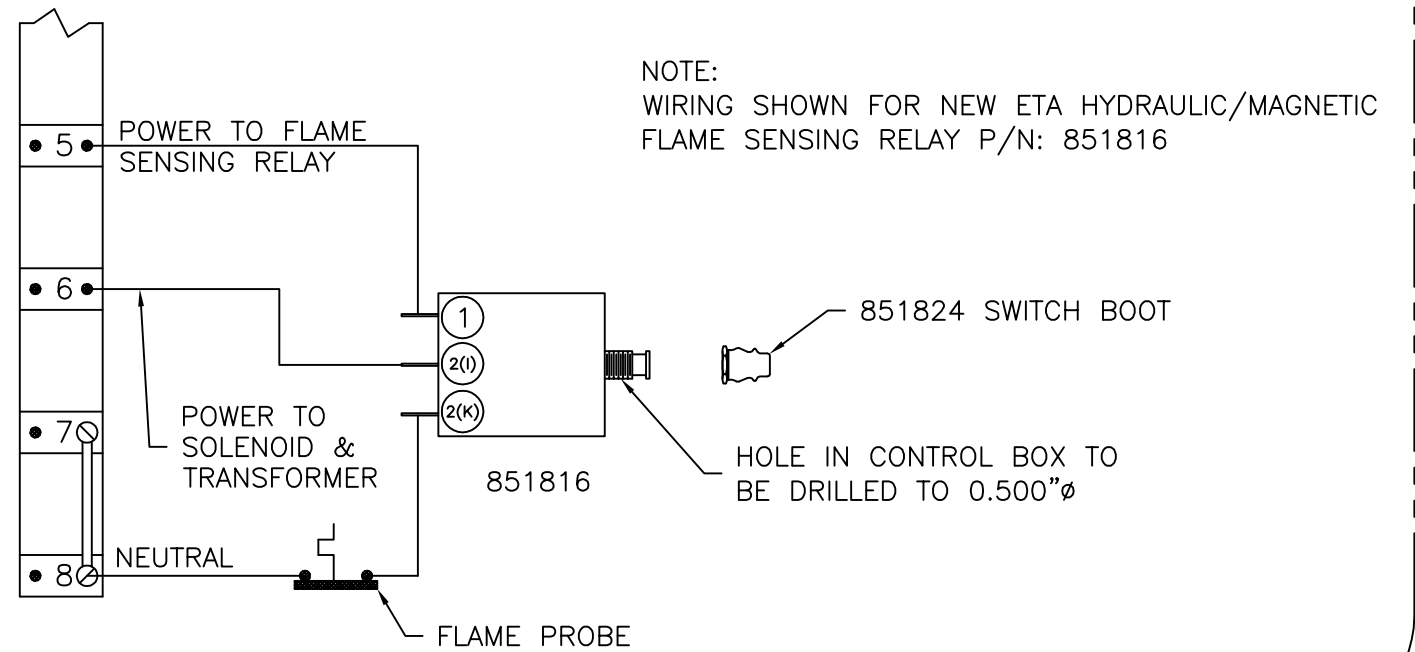
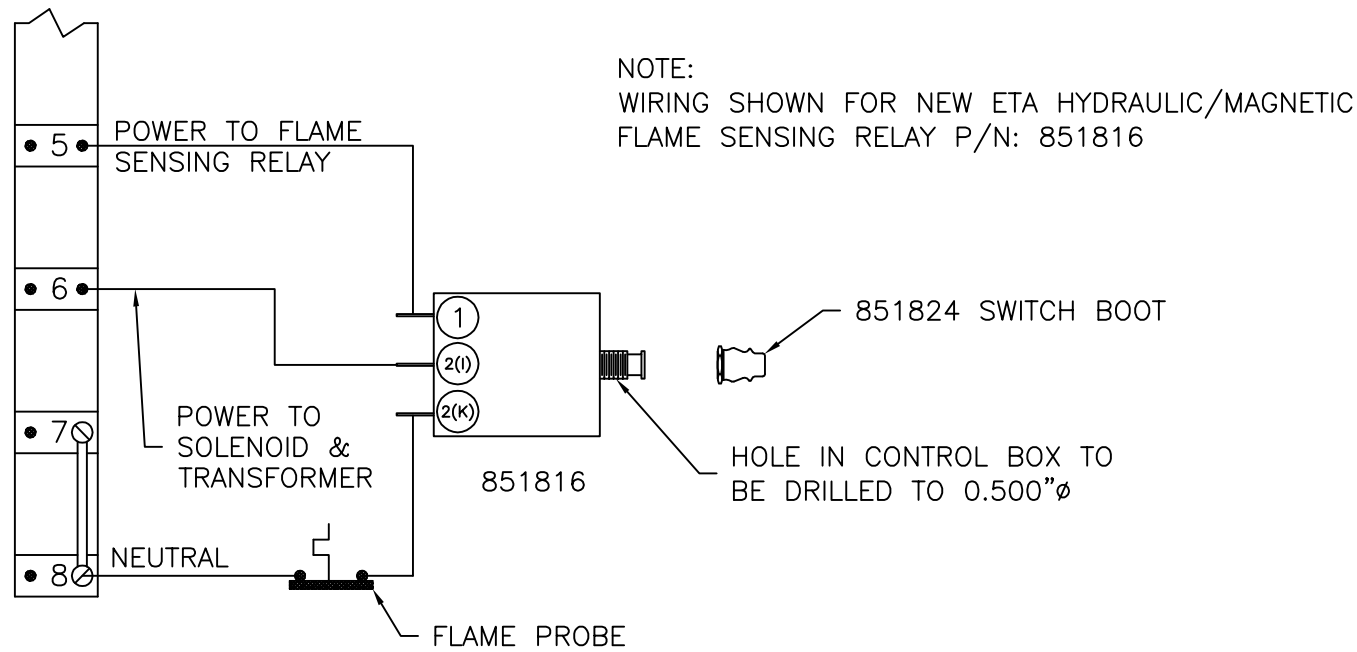
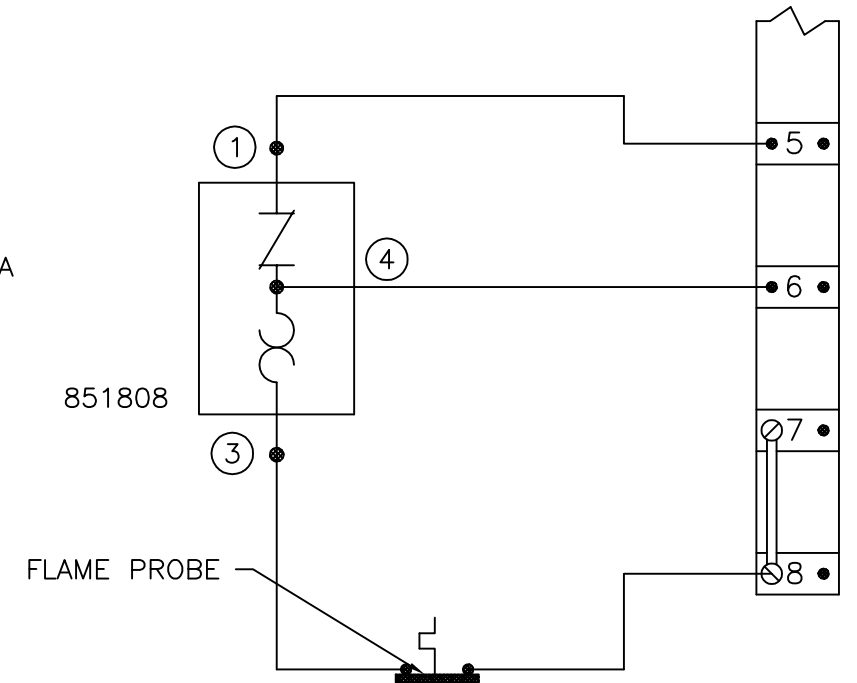
**CONVERSION OF 753806 TEXAS INSTRUMENTS
FLAME SENSING RELAY TO 851816 ETA FLAME
HYDRAULIC/MAGNETIC FLAME SENSING RELAY**

NOTE:
WIRING SHOWN FOR OLD
TEXAS INSTRUMENTS
FLAME SENSING RELAY
P/N: 753806



**CONVERSION OF 851808 ETA BIMETALIC FLAME
SENSING RELAY TO 851816 ETA
HYDRAULIC/MAGNETIC FLAME SENSING RELAY**

NOTE:
WIRING SHOWN FOR OLD ETA
BIMETALIC FLAME SENSING
RELAY P/N: 851808



| | | | | | | | |
|--|--|--|--|----------|--|----------------|--------------|
| | | | MATERIAL: | FIN.WT. | DWG/PART NAME: | | |
| | | | | X | MANUAL, FLAME SENSOR KIT, DOMESTIC, 2009 | | |
| | | | TOLERANCES UNLESS OTHERWISE SPECIFIED FRACTIONS +- 1/32 DECIMALS +- .031 ANGLES +- 1/4 | ASSEMBLY | BY | | DATE |
| | | | DIMENSIONS IN BRACKETS [] ARE METRIC EQUIVALENTS | JBM | | 11-13-09 | SIZE: B |
| | | | THIS DRAWING AND ALL INFORMATION THEREON IS THE PROPERTY OF CHIEF INDUSTRIES INC., KEARNEY, NEBRASKA. IT IS LOANED CONFIDENTIALLY AND MUST NOT BE USED IN ANY WAY DETRIMENTAL TO CHIEF INDUSTRIES INC. | PDO | | 11-13-09 | DWG/PART NO: |
| | | | | PDO | | 11-13-09 | 851832 |
| | | | | APPROVED | | SCALE: 3/8"=1" | |