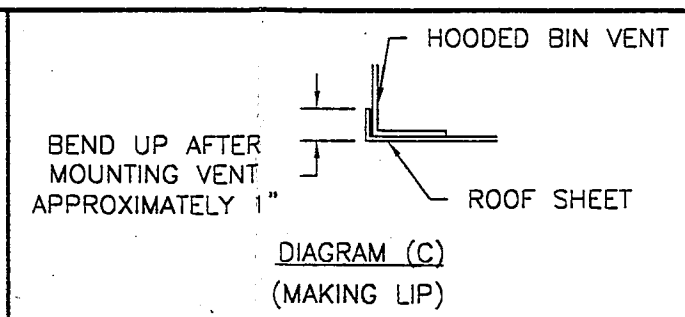
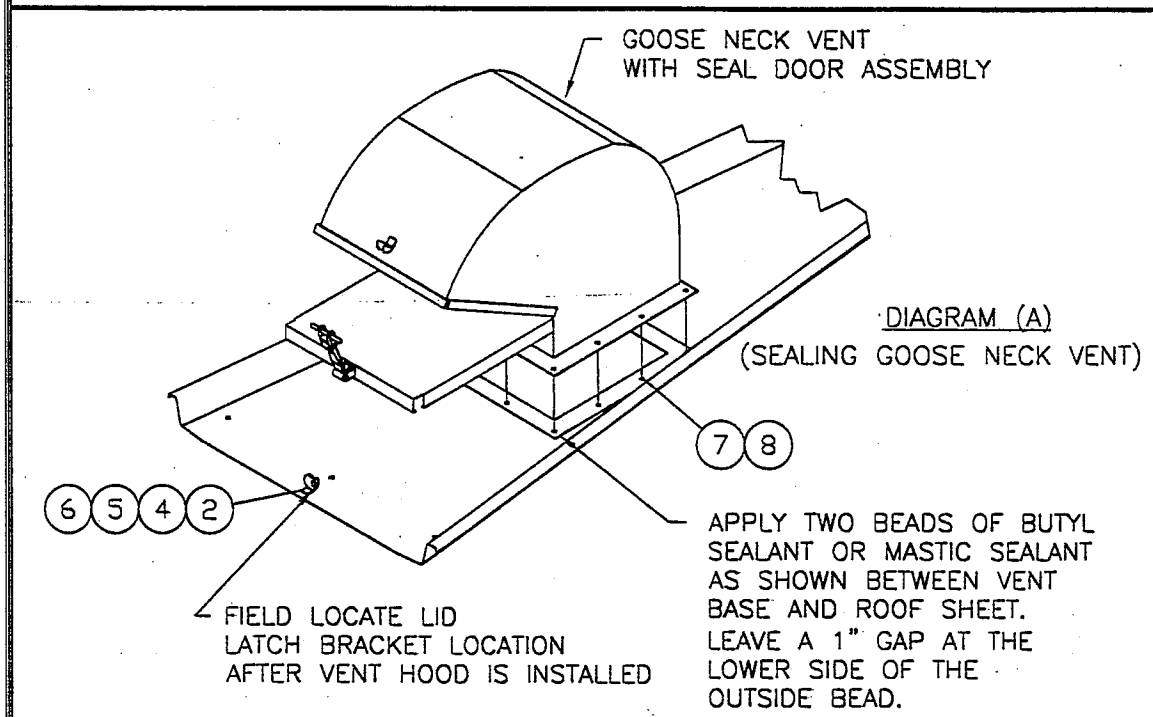


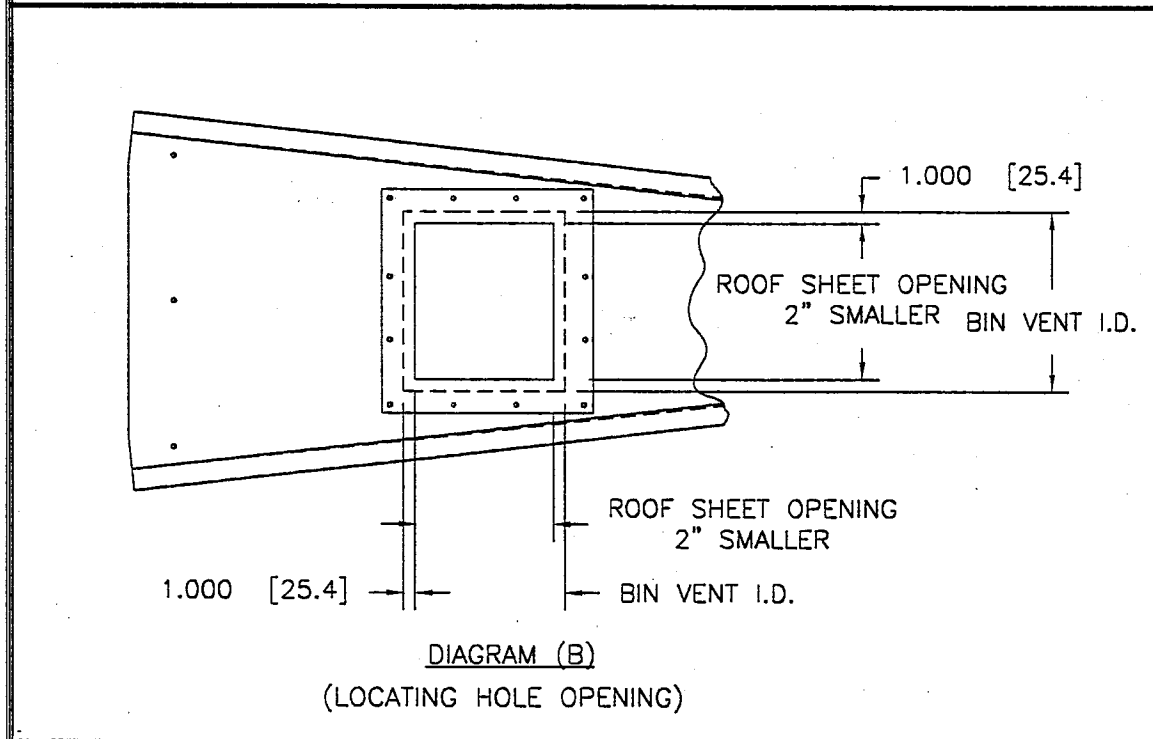
GOOSE NECK VENT WITH SEAL DOOR INSTALLATION INSTRUCTIONS



ITEM	QTY	PART NO.	DESCRIPTION
1	1	704746	BULLETIN 1182 GOOSE W/SEAL DOOR
2	1	708297	WASHER LOCK #10 RGLR STL PLTD
3	1	708636	BAG PLASTIC 4X4X.004 LOCK TOP
4	1	804260	LID LATCH BRACKET 1/4 IN (P) 12ZP)
5	1	804294	SCREW MCH #10-24X.3875 RD HD
6	1	804302	NUT #10-24 HEX NYLON STOP PLTD
7	12	820589	CS 5/16-18X.75GR8.2BB HX JS500
8	12	820696	NUT 5/16-18 HEX GR5 JS500 PLTD

A.) INSTALLATION

- 1.) Locate Goose Neck Vent on the desired roof sheet. Typically slide Goose Neck Vent up the roof sheet (Toward the small end) until the corners of base intersect roof sheet ribs.
- 2.) Using the base as a template, mark and drill the 11/32" diameter mounting holes.
- 3.) Cut the opening so that the hole opening is 2" shorter in both directions of the inside diameter of the Goose Neck Vent. (SEE DIAGRAM B)
- 4.) Apply two beads of butyl sealant or mastic sealant as shown, between the Goose Neck Vent base and roof Sheet. Leave a 1" gap at the lower side of the outside bead.(SEE DIAGRAM A)
- 5.) Assemble Goose Neck Vent to roof sheet using 5/16" x 3/4" hex bin bolts and nuts. Tighten all bolts and check sealant along upper end of Goose Neck Vent base for any gaps or pockets. Apply extra sealant as required.
- 6.) Peen up edge on inside of Goose Neck Vent to make a water tight seal. The lip should be approximately 1" all the way around. (SEE DIAGRAM C)
- 7.) Field locate Lid Latch Bracket location after vent hood is installed. Field Drill 3/16" diameter hole and attach with Items #2,#5, and #6
- 8.) Do not weld Goose Neck Vent to Roof as rusting will result.



B.) MAINTENANCE

- 1.) Very important: Caulk Hooded Bin Vent to bin roof when installing and yearly for prevention of leakage.
- 2.) Clean bird screen as required.

ALL DIMENSIONS ARE IN INCHES WITH METRIC EQUIVALENTS IN BRACKETS []

MIN. MAT'L GA.	FIN. WT.
----------------	----------

<table border="1" style="width: 100%; border-collapse: collapse;"> <tr><td>C</td><td></td></tr> <tr><td>B</td><td></td></tr> <tr><td>A</td><td></td></tr> <tr><td>ERO NO.</td><td>DATE</td></tr> <tr><td colspan="2" style="text-align: center;">REVISIONS</td></tr> <tr><td colspan="2" style="text-align: center;">TOLERANCES UNLESS OTHERWISE SPECIFIED FRACTIONS +- 1/32 DECIMALS +- .031 ANGLES +- 1/4</td></tr> </table>	C		B		A		ERO NO.	DATE	REVISIONS		TOLERANCES UNLESS OTHERWISE SPECIFIED FRACTIONS +- 1/32 DECIMALS +- .031 ANGLES +- 1/4			<table border="1" style="width: 100%; border-collapse: collapse;"> <tr><th colspan="3">AUTHORIZED</th></tr> <tr><td></td><td>BY</td><td>DATE</td></tr> <tr><td>DRAWN</td><td>CRR</td><td>10-06-00</td></tr> <tr><td>CHECKED</td><td>RDH</td><td>10-19-00</td></tr> <tr><td>APPROVED</td><td>RDH</td><td>10-19-00</td></tr> </table>	AUTHORIZED				BY	DATE	DRAWN	CRR	10-06-00	CHECKED	RDH	10-19-00	APPROVED	RDH	10-19-00	<table border="1" style="width: 100%; border-collapse: collapse;"> <tr><th colspan="3">PART NAME</th></tr> <tr><td colspan="3" style="text-align: center;">BULLETIN 1182 GOOSE W/SEAL DOOR</td></tr> <tr><th colspan="3">MATERIAL</th></tr> <tr><td colspan="3" style="text-align: center;">GOOSE NECK VENT W/SEALED DOOR INSTALLATION INSTRUCTIONS</td></tr> <tr><th>SIZE</th><th>SCALE</th><th>PART NO.</th></tr> <tr><td style="text-align: center;">B</td><td style="text-align: center;">1/16"=1"</td><td style="text-align: center;">(A009) 104746</td></tr> </table>	PART NAME			BULLETIN 1182 GOOSE W/SEAL DOOR			MATERIAL			GOOSE NECK VENT W/SEALED DOOR INSTALLATION INSTRUCTIONS			SIZE	SCALE	PART NO.	B	1/16"=1"	(A009) 104746
C																																																
B																																																
A																																																
ERO NO.	DATE																																															
REVISIONS																																																
TOLERANCES UNLESS OTHERWISE SPECIFIED FRACTIONS +- 1/32 DECIMALS +- .031 ANGLES +- 1/4																																																
AUTHORIZED																																																
	BY	DATE																																														
DRAWN	CRR	10-06-00																																														
CHECKED	RDH	10-19-00																																														
APPROVED	RDH	10-19-00																																														
PART NAME																																																
BULLETIN 1182 GOOSE W/SEAL DOOR																																																
MATERIAL																																																
GOOSE NECK VENT W/SEALED DOOR INSTALLATION INSTRUCTIONS																																																
SIZE	SCALE	PART NO.																																														
B	1/16"=1"	(A009) 104746																																														