



Bulletin	1117
Effective Date	04-05-96
Page	1 of 2

INSTRUCTIONS FOR INSTALLATION OF HEATER SUPPORT BRACKETS

PACKING LIST

<u>QTY.</u>	<u>PART NO.</u>	<u>DESCRIPTION</u>
2	776112	Heater Support bracket C27-33
8	707935	5/16" x 3/4" hex head capscrew
4	708164	5/16" hex nut
8	708313	5/16" lock washer
2	163248	Heater Support Angle
1	Bulletin 1117	Heater Support Bracket Installation Instructions

INSTALLATION INSTRUCTIONS

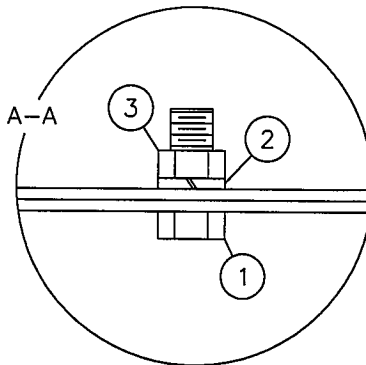
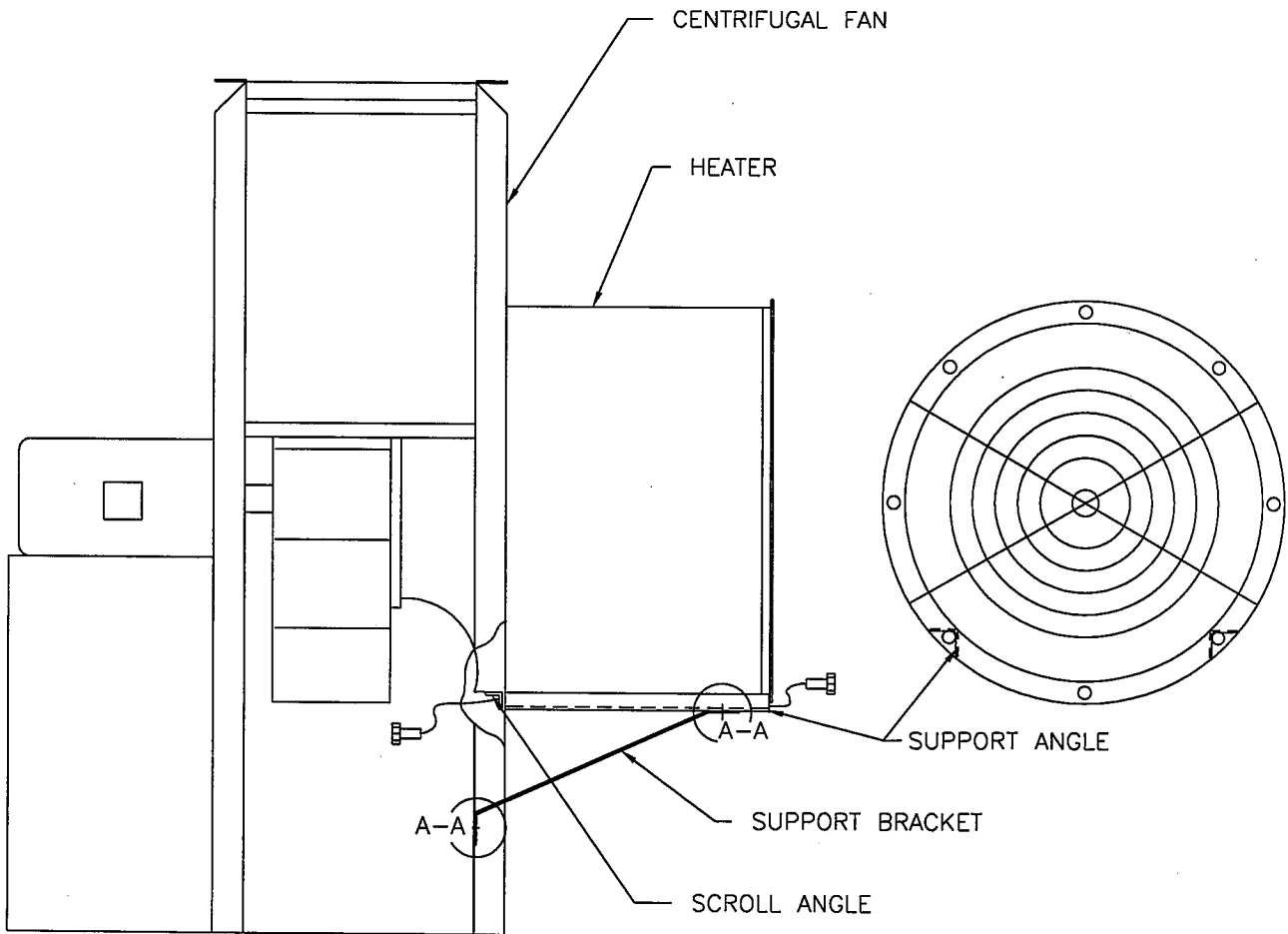
When a heater is mounted on the inlet side of a centrifugal fan, heater support brackets are required for greater support of the heater. Follow the given directions for installation.

NOTE: Centrifugal Fan must be unbolted from transition to allow access to inside of fan for mounting hardware.

1. Bolt Support Bracket loosely to support angle as shown in drawing.
2. Bolt Support Angle between the heater flanges. Using a bolt that holds the screen gaurd in place and a second bolt that holds the heater to the scroll angle.
3. Slide the free end of the Support Bracket up to the fan housing and finish tightening the bolt that holds the Support Bracket to the Support Angle.
4. Using the hole in the support as a guide drill one 11/32" diameter hole in the side of the fan housing for each support (approximately 10 1/4" down from heater leg).
5. Fasten the support to the side of the fan housing, also, using one each 5/16" X 3/4" hex head capscrew, 5/16" hex nut, and 5/16" lock washer for each hole.
6. Finish Tightening bolts in step 1.



Bulletin	1117
Effective Date	04-05-96
Page	1 of 2



- 1) 5/16" x 3/4" HEX HEAD CAPSCREW
- 2) 5/16" LOCKWASHER
- 3) 5/16" HEX NUT