

Part Number	851931
Effective	6/15/2012

Page 1 of 5

CONVERSION MANUAL

FOR

CH18T, CH24T, CH28T SERIES HEATERS

Components required for conversion:

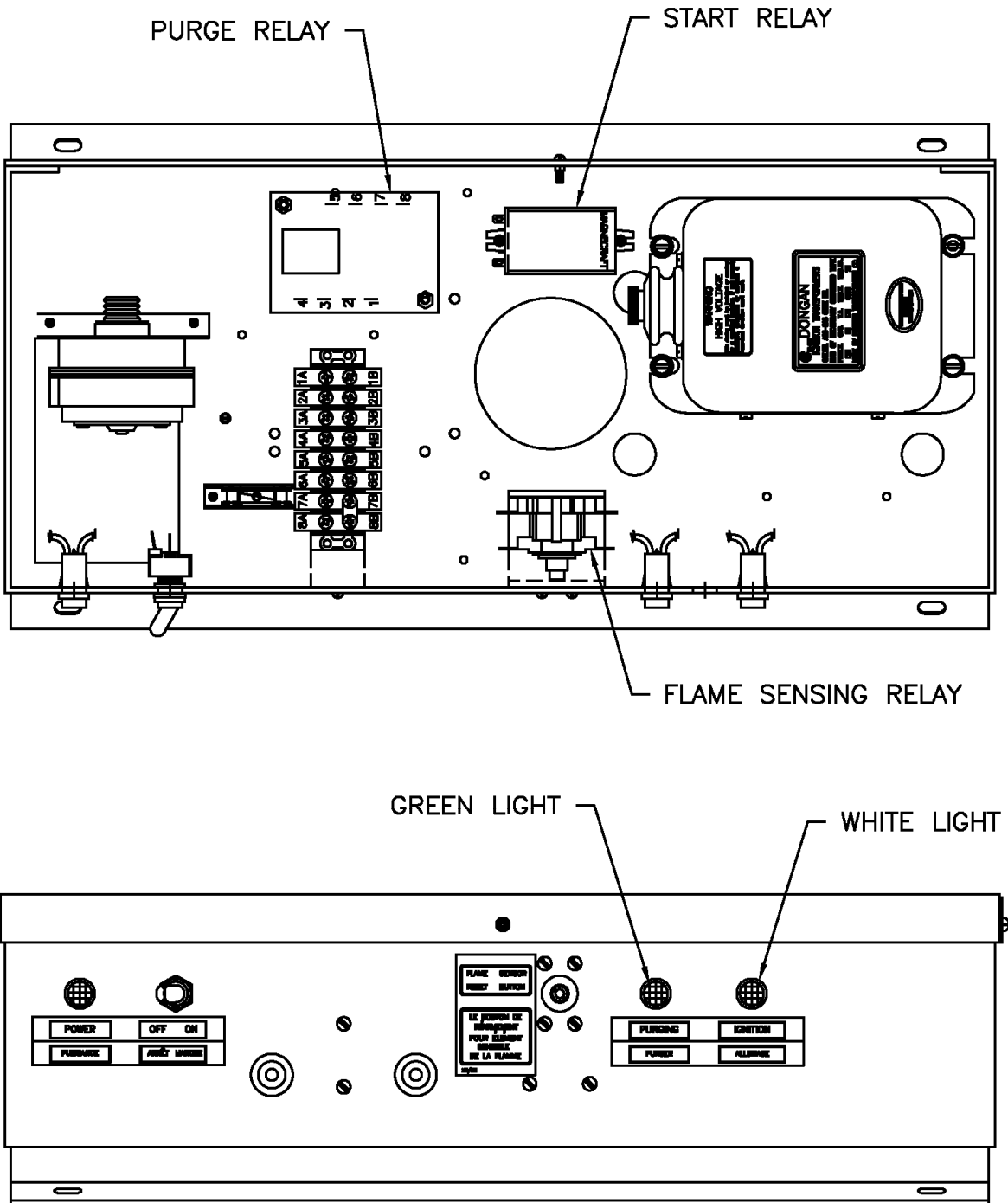
NO.	QTY	PART NO.	DESCRIPTION
1	1	710707	SWITCH,EL,TOGGLE,2P,OFF/ON/STRT
2	1	719914	RELAY,EL,PURGE/FLAME SENSOR DELAY,115V,30SEC
3	1	785717	LIGHT,EL,PILOT,115V,.50MNT,GRN
4	1	850255	TERMINAL BLOCK,EL,QD,3POS,20AMP
5	1	749705	DECAL,FLAME LOCKOUT/IGNITION/PURGE,CSA,AGRI
6	1	749499	DECAL,WIRING DGM,HTR,AXIAL,CSA,RELAY,AGRI
7	1	749515	DECAL,POWER,HEATER,OFF/RUN/START,AGRI



A DIVISION OF CHIEF INDUSTRIES, INC.

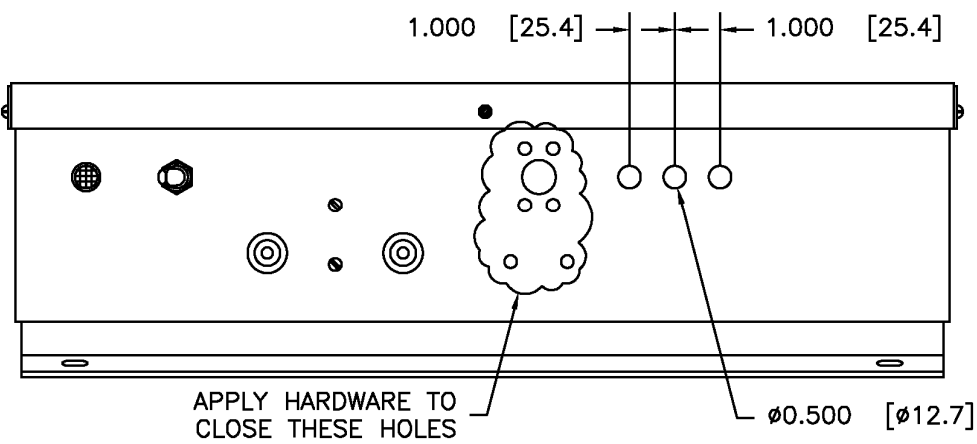
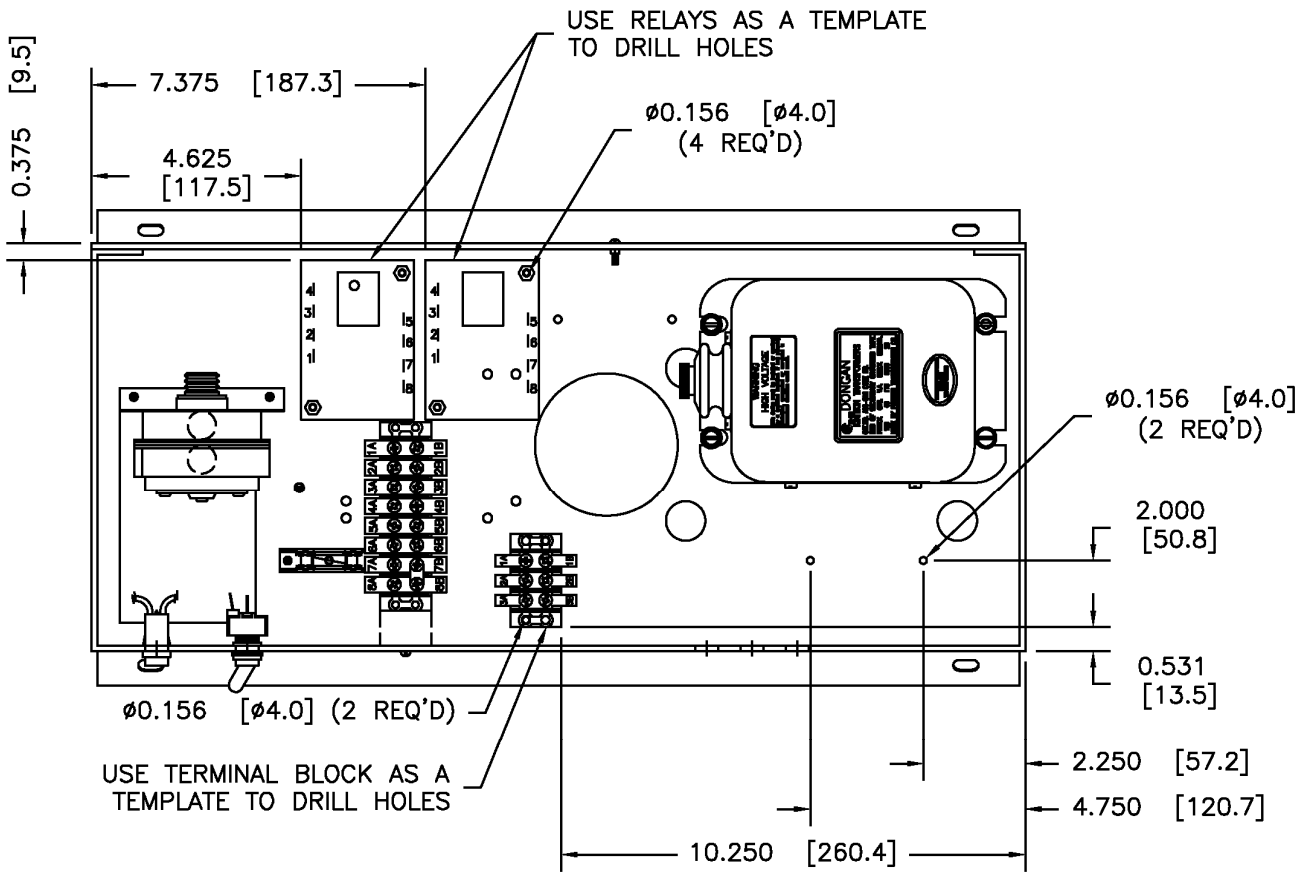
P.O. Box 848
4400 E. 39th ST.
Kearney, NE 68848 USA
Phone (800) 359-3600
Fax (308) 389-6703
www.chiefind.com

Part Number	851931
Effective	6/15/2012



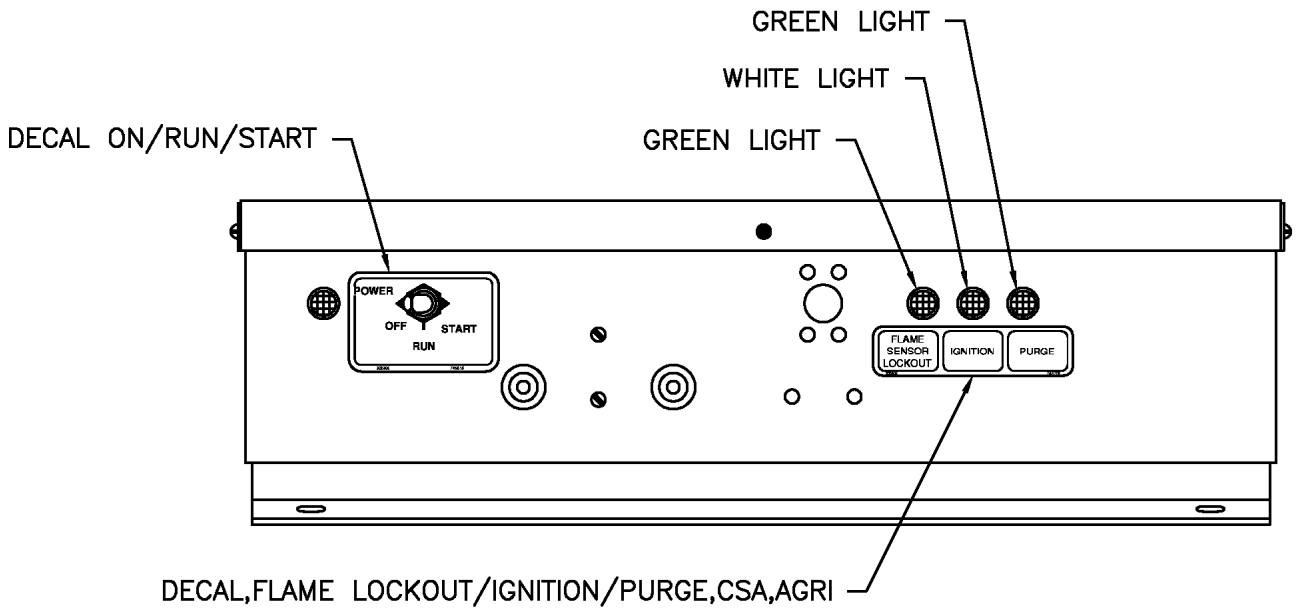
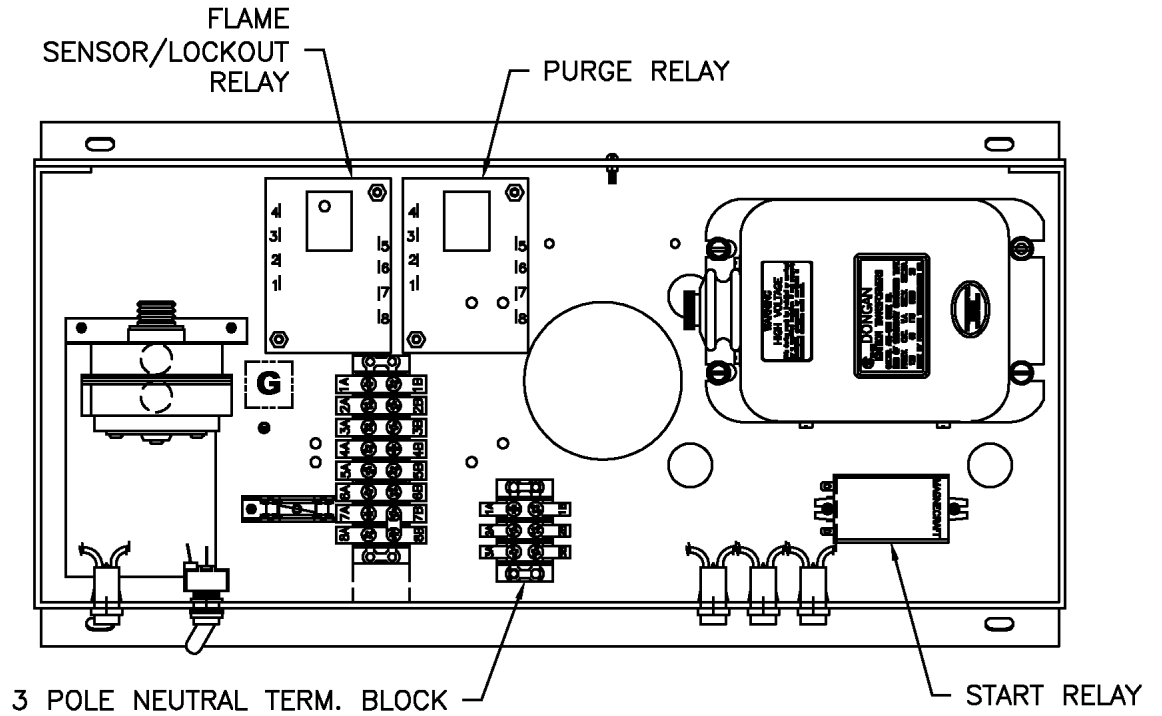
Original Component Configuration with Manual Reset Flame Sensing Relay

Part Number	851931
Effective	6/15/2012



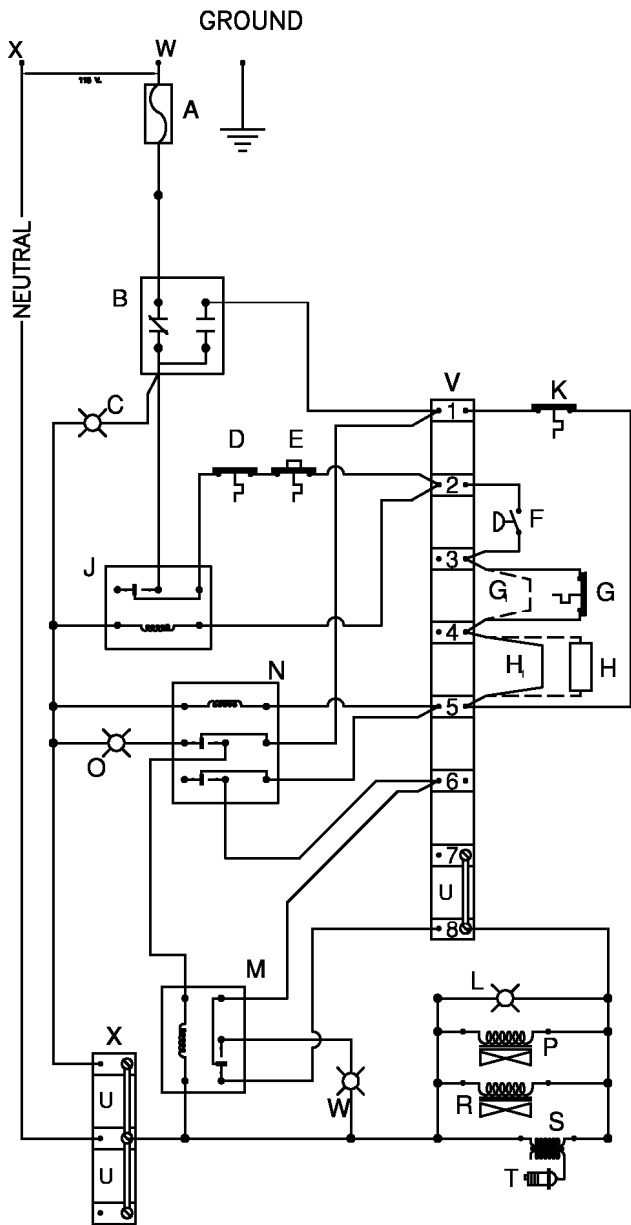
Modifications to the Control Enclosure

Part Number	851931
Effective	6/15/2012



Component Configuration with Revised Flame Sensing Relay

Part Number	851931
Effective	6/15/2012



- A.) FUSE (5 AMP AC)
- B.) HEATER TOGGLE SWITCH
- C.) POWER LIGHT (AMBER)
- D.) BURNER EXHAUST LIMIT AUTOMATIC RESET 270°F.
- E.) BURNER HIGH LIMIT MANUAL MANUAL RESET 160°F.
- F.) AIR PROVING SWITCH
- G.) VAPOR TEMP. LIMIT, 160°F. (LPGE MODELS ONLY)
- G.) JUMPER WIRE (REMOVED ON LPGE MODELS)
- H.) THERMOSTAT, HUMIDISTAT, OR COMBINATION
- H.) JUMPER WIRE (REMOVED FOR FIELD APPLICATION OF THERMOSTAT, HUMIDISTAT, OR COMBINATION)
- J.) START RELAY
- K.) FLAME SWITCH, AUTOMATIC RESET 200°F.
- L.) IGNITION LIGHT (WHITE)
- M.) FLAME SENSOR RELAY 30 SECOND
- N.) PURGE RELAY 30 SECOND
- O.) PURGE LIGHT (GREEN)
- P.) VAPOR SOLENOID VALVE
- R.) LIQUID SOLENOID VALVE (LPGE MODELS ONLY)
- S.) IGNITION TRANSFORMER
- T.) SPARK PLUG
- U.) JUMPER CLIP
- V.) TERMINAL BLOCK
- W.) FLAME LOCKOUT LIGHT (GREEN)
- X.) NEUTRAL TERMINAL BLOCK

Wiring Schematic of Revised Axial Control Enclosure