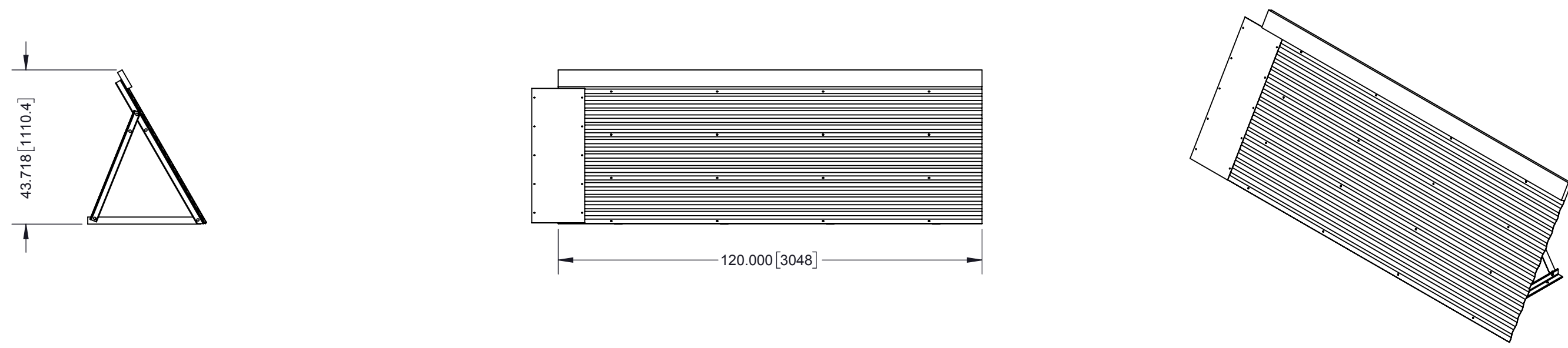


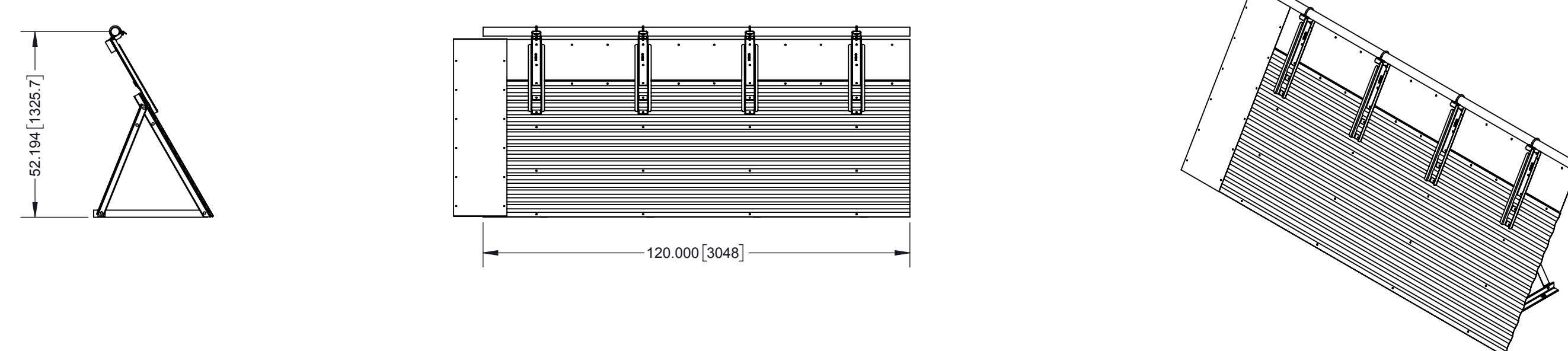
NO SCREEN

WITH SCREEN

1-SHEET NO WALKWAY

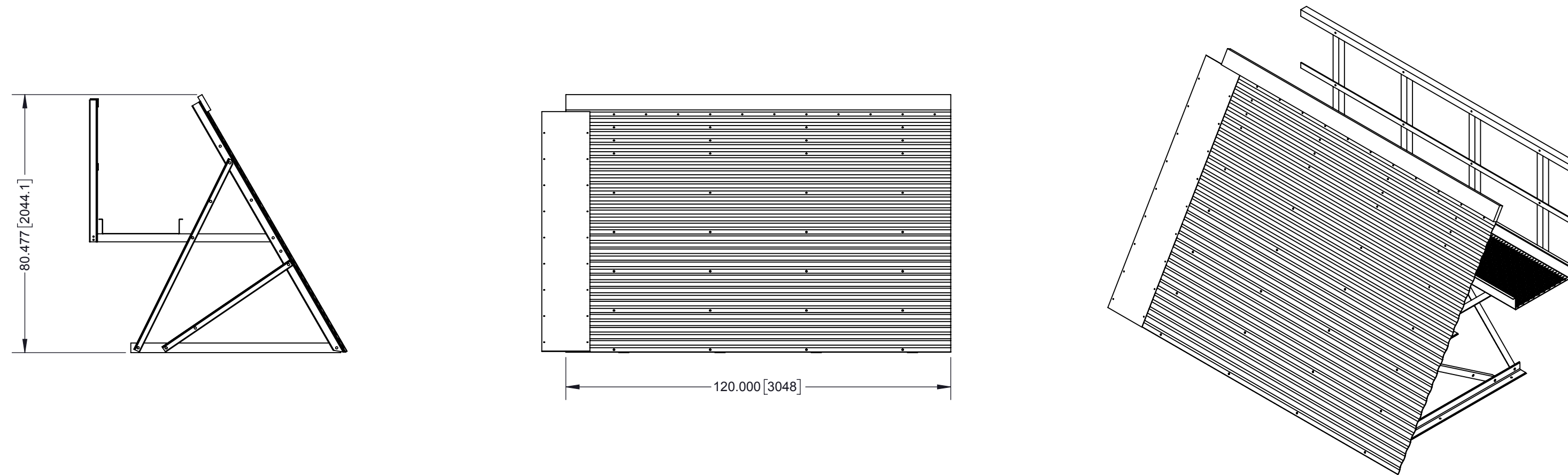


9984006Q BLEACHER PKG,1-SHEET 3'-7" NOM-WITH BOARD-NO WALKWAY
WEIGHT 330 LBS NOM.

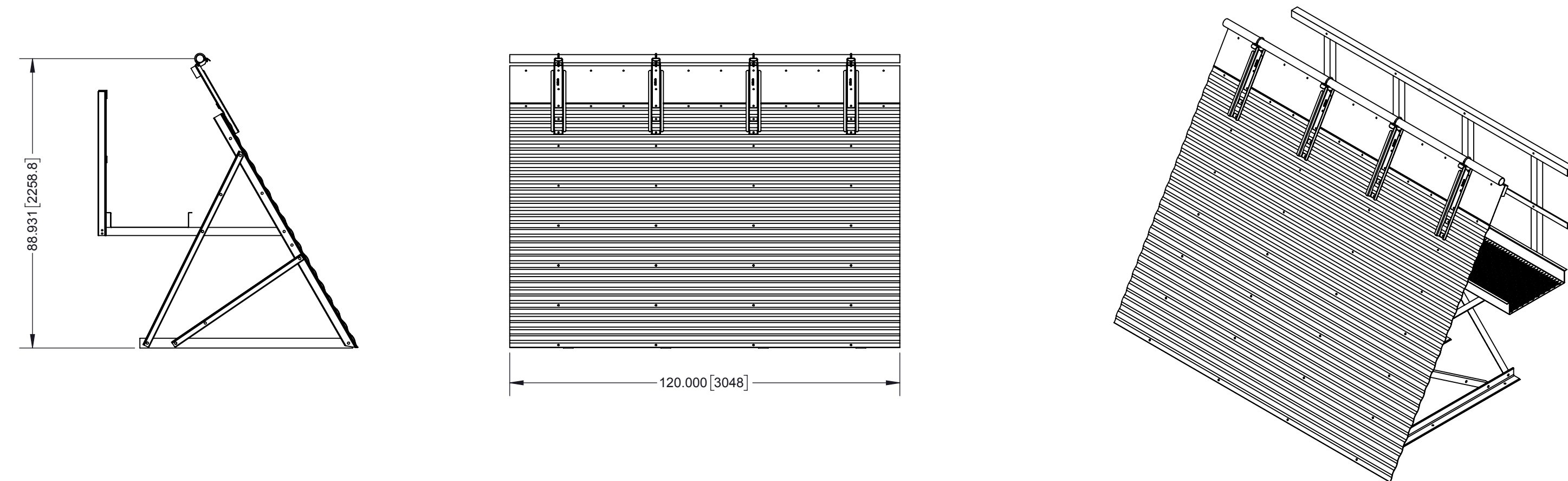


9984002Q BLEACHER PKG,1-SHEET 4'-4" NOM-WITH PERF-NO WALKWAY
WEIGHT 411 LBS NOM.

2-SHEET WITH WALKWAY

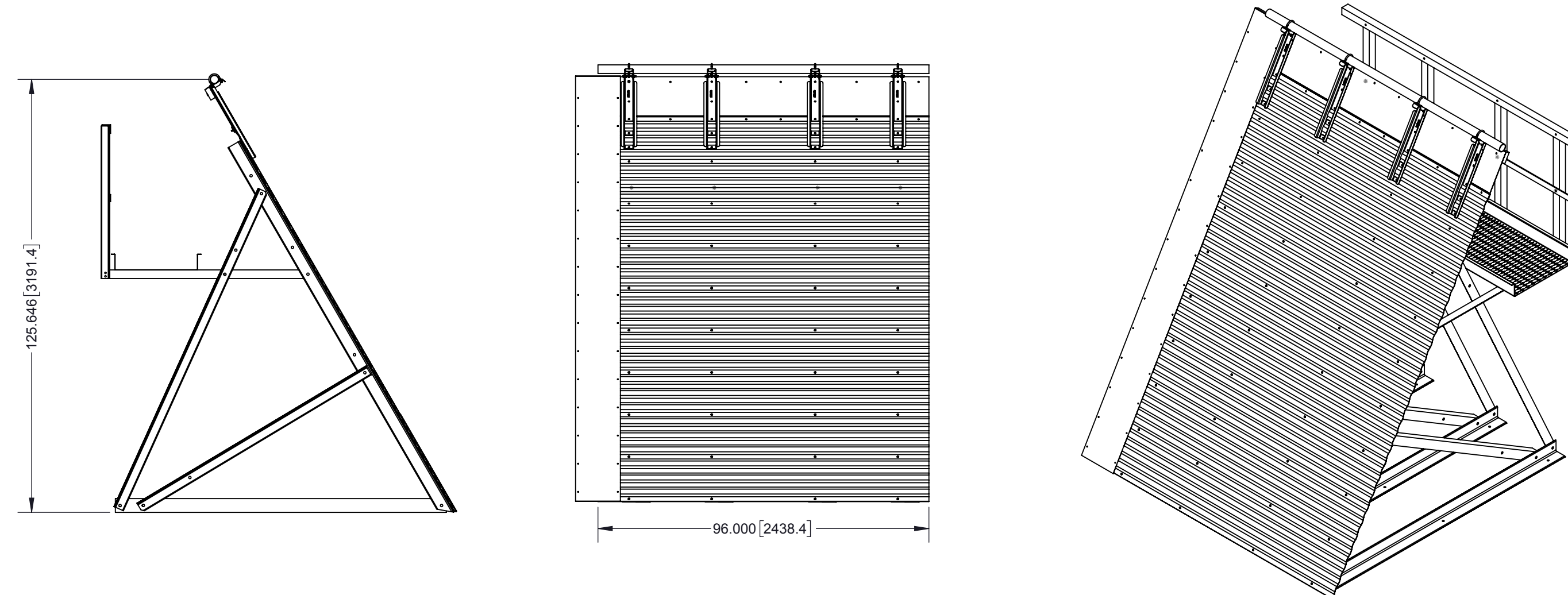


9984005Q BLEACHER PKG,2-SHEET 6'-8" NOM-WITH BOARD-WITH WALKWAY
WEIGHT 1093 LBS NOM.



9984001Q BLEACHER PKG,2-SHEET 7'-2" NOM-WITH PERF-WITH WALKWAY
WEIGHT 1119 LBS NOM.

3-SHEET WITH WALKWAY



9984000Q BLEACHER PKG,3-SHEET 10'-6" NOM-WITH PERF-WITH WALKWAY
WEIGHT 1555 LBS NOM.

TOLERANCES UNLESS OTHERWISE SPECIFIED: FRACTIONS - 1/32 DECIMALS - 0.01 ANGLES - 1/4 DO NOT SCALE		THIRD ANGLE	THIS DRAWING AND ALL INFORMATION THEREON IS THE PROPERTY OF CHIEF INDUSTRIES, IT IS LOANED TO YOU FOR YOUR COMPANY'S USE ONLY. IT IS NOT TO BE REPRODUCED OR TRANSMITTED IN ANY MANNER WITHOUT THE WRITTEN PERMISSION OF CHIEF INDUSTRIES, INC.	MATERIAL: FIN.WT.LBS.		DWG/PART NAME: BLEACHER PACKAGES AVAILABLE		BY: DATE: SIZE: D	DWG/PART NO.:
CHECKED:		APPROVED:		SCALE: 1:32					