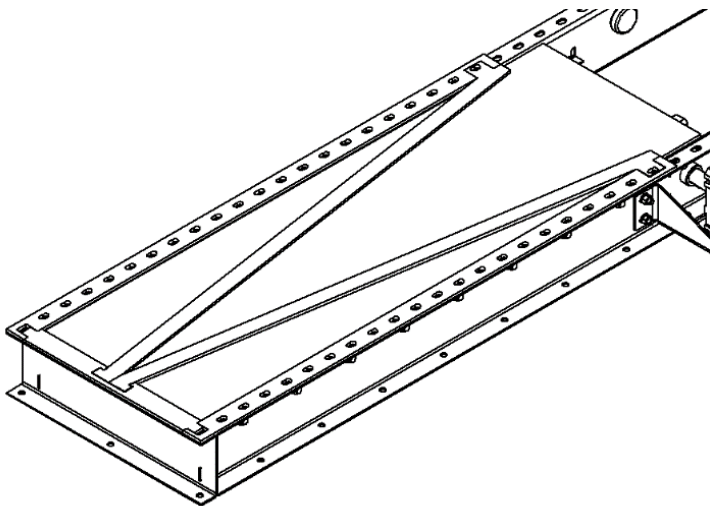




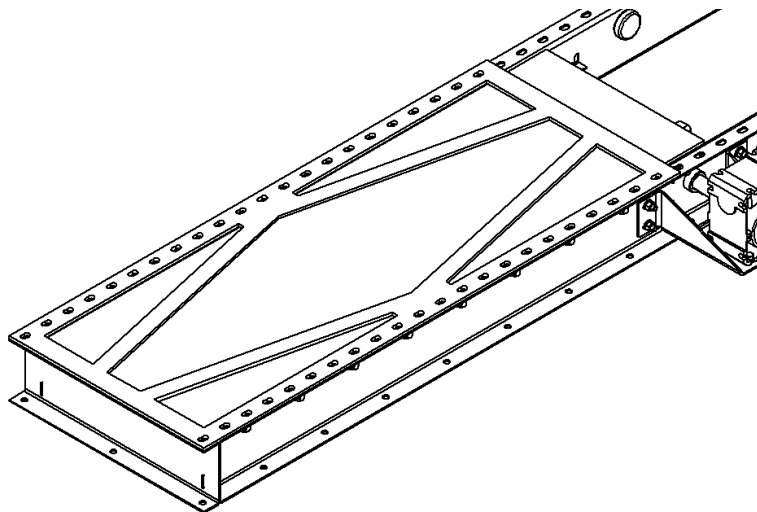
## Material Handling Engineering Bulletin

### Product Update: Intermediate Gate Shims

- Gate shim has been modified from multiple pieces to a one-piece design for Intermediate Gates only. Field modification (weld and grind smooth) may be necessary for previously shipped units with multiple piece shim design.



Gate shown with multiple piece shim design.



Gate shown with one-piece shim design.