



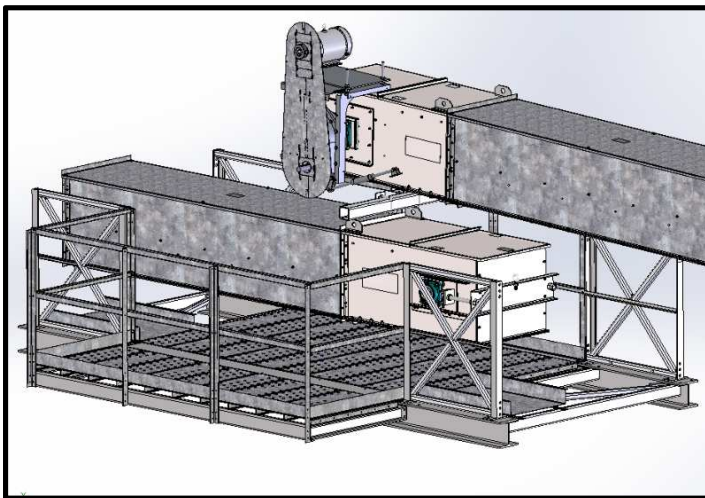
5-26-2016

Catwalk and Tower Engineering Bulletin

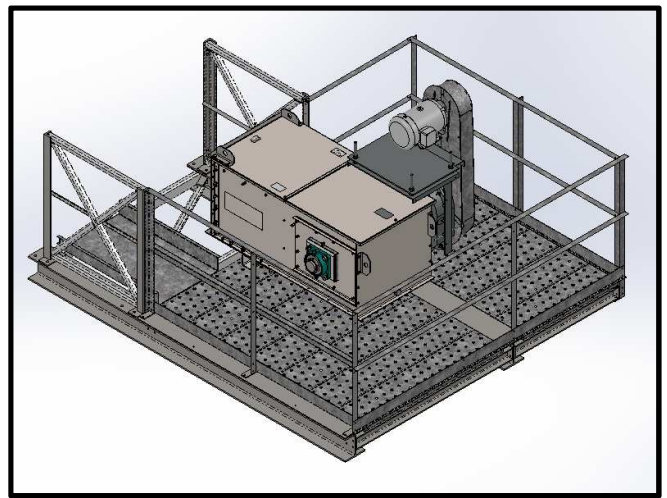
New Product Now Available: Supported Walkarounds for #2 Catwalk

Chief Agri Industrial is pleased to announce the introduction of several configurations of Supported End Walkarounds specifically for #2 catwalks. The configurations available are 2 bay end walkarounds, 3 bay end walkarounds, 2 bay continuous walkarounds, and 3 bay continuous walkarounds.

PEAK WALKAROUNDS (SUPPORTED)		
PART NUMBER	DESCRIPTION	WEIGHT (LBS)
9623441	PEAK END WALKAROUND,#2,20"MTG,GLV,SINGLE WING,(2BAY)	2126
9623379	PEAK END WALKAROUND,#2,30"MTG,GLV,SINGLE WING,(2BAY)	2203
9623452	PEAK END WALKAROUND,#2,45"MTG,GLV,SINGLE WING,(2BAY)	2320
9623462	PEAK END WALKAROUND,#2,20"MTG,GLV,SINGLE WING,(3BAY)	2608
9623461	PEAK END WALKAROUND,#2,30"MTG,GLV,SINGLE WING,(3BAY)	2701
9623463	PEAK END WALKAROUND,#2,45"MTG,GLV,SINGLE WING,(3BAY)	2840
9623473	CONTINUOUS WALKAROUND,#2,20"MTG,GLV,SINGLE WING,(2BAY)	2789
9623466	CONTINUOUS WALKAROUND,#2,30"MTG,GLV,SINGLE WING,(2BAY)	2880
9623477	CONTINUOUS WALKAROUND,#2,45"MTG,GLV,SINGLE WING,(2BAY)	3016
9623475	CONTINUOUS WALKAROUND,#2,20"MTG,GLV,SINGLE WING,(3BAY)	3271
9623469	CONTINUOUS WALKAROUND,#2,30"MTG,GLV,SINGLE WING,(3BAY)	3377
9623479	CONTINUOUS WALKAROUND,#2,45"MTG,GLV,SINGLE WING,(3BAY)	3536



Continuous Walkaround with Piggy-Back Conveyors.



Peak End Walkaround with Conveyor Head Section.