

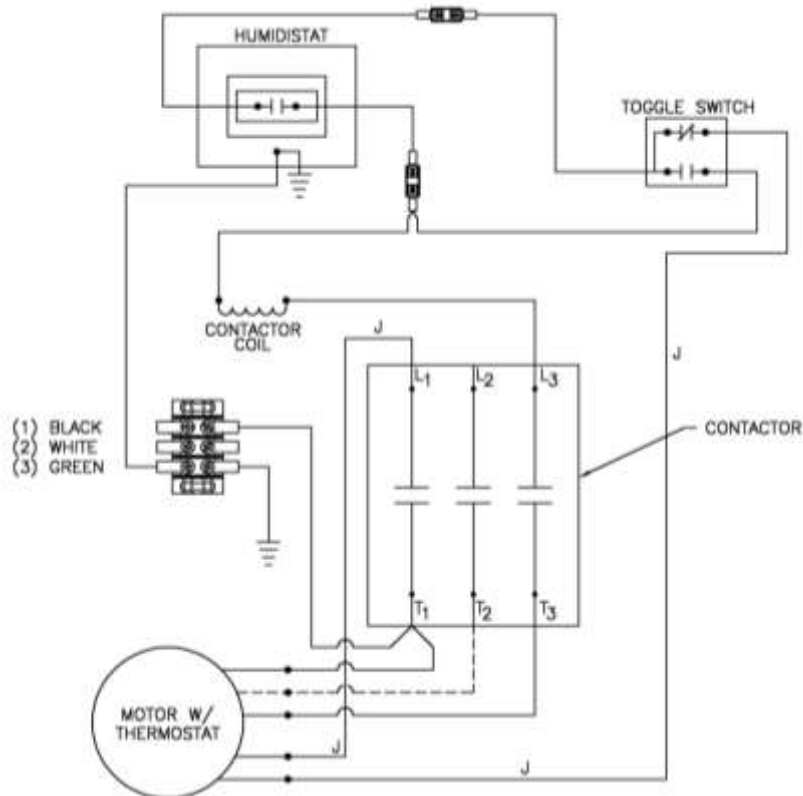
NHC2 HUMIDSTAT INSTALLATION & OPERATION

The humidistat is designed to allow the fan to operate up to the humidistat setting but not beyond these parameters. If humidity rises over the humidistat setting the unit will shut off, and when the humidity drops below the humidistat setting the unit will start functioning.

To install the NHC2 humidistat, mount the control box to ½” (1.27cm) diameter pipe that has been fixed firmly in the ground. Fasten the humidistat using the conduit brackets and sheet metal screws supplied.

The humidistat control is designed to work with 230 volt single or 3 phase fans with controls. The humidistat control is wired in place of the auxiliary switch as shown in the following diagram.

Note: When installing or servicing electrical components, always lock out and tag out electrical power at the fan disconnect.



To operate the humidistat, set the humidistat control for the desired humidity range. Then place the toggle switch in the run position. Place the fan toggle switch to the “OFF” position when the unit is not in operation, regardless of humidity.

Safety Note: Installation of the humidistat will allow the fan to start up automatically when the toggle switch is in the run position.