

# #4 CW WALK AROUND 3 BAY



## INSTALLATION MANUAL

P/N 9622972 Rev 0

**CHIEF**   
AGRI/INDUSTRIAL

*We Engineer  
Relationships®*

# Installation Manual

---



This symbol means “Attention! Be Alert! Your Safety Is At Stake!”

The safety alert symbol identifies safety messages for your equipment. Verify you are familiar with the messages identified for you with the safety alert symbol. When you see this symbol, be alert to the possibility of serious injury or death. Follow the safety instructions given in this manual.

**Danger:** Indicates an imminently hazardous situation which, if not avoided, will result in death or serious injury.

**Warning:** Indicates a potentially hazardous situation which, if not avoided, could result in death or serious injury and property damage.

**Caution:** Indicates a potentially hazardous situation which, if not avoided, may result in minor or moderate injury. It may also be used to alert against unsafe practices.



**WARNING: Improper installation, adjustment, alteration, service or maintenance can cause property damage, injury or death. Read the installation, operating and maintenance instructions thoroughly before installing or servicing this equipment.**

This manual is for the design, operation and maintenance of Chief Catwalk systems effective 1/1/2016.

© Chief Industries, Inc.  
4400 East 39<sup>th</sup> Street • PO Box 848  
Kearney, NE 68847  
Phone 800.359.7600

For more information about Chief Industries, Inc. and additional products or services please visit our website  
[www.agri.Chiefind.com](http://www.agri.Chiefind.com)

# Table of Contents

<b>Introduction</b> .....	4
Model Number Description.....	4
<b>Before You Begin</b> .....	5
<b>Safety and Precautions</b> .....	6
<b>General Contractor Responsibilities</b> .....	7
Accessory Equipment .....	7
Field Modifications and Installation Defects .....	7
Packing List.....	8
Suggested Equipment.....	8
Crane Weight Capacity .....	8
<b>Installation Procedures</b> .....	9
Catwalk Components .....	10
Mounting Areas.....	21
Terminating Walk Around.....	21
Mid Span Walk Around .....	22
Installation.....	23
Connect Catwalk Sections .....	40
Tower Mounting .....	41
Bin Peak Mounting.....	43
Mid-span or Continuous Walk Around.....	46
<b>Manual Revisions</b> .....	46
<b>STANDARD LIMITED WARRANTY</b> .....	47

## Introduction

Thank you for purchasing a Chief catwalk system. Proper installation and operation will provide the best overall experience with your equipment and guarantee smooth operation.

This proprietary information is loaned with the expressed agreement that the drawings and information therein contained are the property of Chief Industries, Inc. and will not be reproduced, copied, or otherwise disposed of, directly or indirectly, and will not be used in whole or in part to assist in making or to furnish any information for the making of drawings, prints or other reproduction hereof, or for the making of additional products or equipment except upon written permission of Chief Industries, Inc. first obtained and specific as to each case. The acceptance of this material will be construed as an acceptance of the foregoing agreement.

The technical data contained herein is the most recent available at the time of publication and is subject to modification without notice. Chief Industries, Inc. reserves the right to modify the construction and method of operation of their products at any time without any obligation on their part to modify any equipment previously sold and delivered.

### Model Number Description

The model nomenclature distinguishes the application of the catwalk system. The information includes a designation of the applicable structure diameter, eave height, roof design and design criteria utilized. The definition of the model number nomenclature is as follows:

Example: CW #4 - 30 - 100

(a) (b) - (c) - (d)

(a) CW = Chief Catwalk

(b) #4 = Catwalk Model

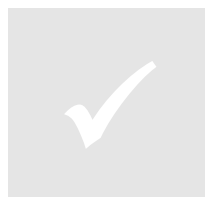
Where: #4 = #4 Model

(c) 30 = Catwalk Mounting Width

Where: 30 = 30 inches nominal mounting width

(d) 100 = Catwalk Length

Where: 100 = 100 feet nominal length



## Before You Begin

Read this manual thoroughly before using this catwalk system. Keep this manual in a location for quick access and reference.

The installation of the catwalk system may require field fastening for some components. When using a cutting torch or welding galvanized material, the possibility of developing toxic fumes will exist. Provide adequate ventilation and respiratory protection when using this type of equipment during installation.

**Special Service Note:** If you are unable to remedy any service problem after thoroughly studying this manual, contact the dealer from whom you purchased the unit. Your dealer is your first line of service. The following information is required for service:

1. Catwalk model number: \_\_\_\_\_
2. Width and length of catwalk: \_\_\_\_\_
3. Attached equipment: \_\_\_\_\_
4. Dealer purchased from: \_\_\_\_\_
5. Dealer address and phone number: \_\_\_\_\_
6. Date purchased: \_\_\_\_\_
7. Service contractor:
  - a. Name: \_\_\_\_\_
  - b. Address: \_\_\_\_\_
  - c. Phone: \_\_\_\_\_



### **WARNING: Water Sensitive Materials - Read this notice carefully**

Bundles must be inspected and carrier advised immediately if damage is noted. White rust will attack painted as well as galvanized material. If water has entered a bundle or if condensation has formed between pieces, the bundle must be opened, the pieces separated and all surfaces dried.

## Safety and Precautions

Your safety and the safety of others is a primary concern to Chief Industries, Inc. This manual was written to assist in the safe installation and operation of the catwalk system.

It is your responsibility as the owner, builder, operator, or supervisor to know what specific requirements, precautions and hazards exist and to make these known to all personnel working with equipment or on the jobsite so that they can observe any necessary safety precautions.

All personnel, including the installation crew, must read and understand the information contained in this manual before starting construction. Chief Industries, Inc. is not responsible or liable for the misuse of equipment or operation of personnel or equipment in an unsafe manner.

Chief Industries, Inc. assumes no liability with respect to proper construction and inspection, assembly, or use of its products established under applicable laws, all of which is the sole responsibility of the purchaser and those authorized for the installation.

Follow all local and federal safety laws and regulations. Ensure that all equipment and personnel conform to any applicable jurisdiction regulations.

### Work Area Safety Statement

To ensure the safety of all individuals in the work area, only authorized and trained persons shall install, and maintain the catwalk system.

Under no circumstances should unauthorized individuals be allowed to trespass or be present in the work area.

It shall be the duty of all operators to ensure that the work area is clean, organized and kept free of all debris and tools that might cause an accidental tripping or falling hazard.

Special care should be taken when working from unsafe heights. Common sense dictates that when conditions such as rain or wind prohibit the safe use of equipment, the installation be discontinued.

Chief Industries, Inc. strongly recommends that equipment meeting the current specifications be used, whether the individual operator is required by law to do so or not. Proper climbing equipment and a secured safety harness should be used at all times when performing operations work, installation or maintenance.

Field modifications without the authorization of the manufacturer may present unknown dangers to the operator and must be avoided.

### Auxiliary Equipment Safety

You may decide to purchase and install “auxiliary equipment” made by other manufacturers. Chief Industries, Inc. has no control over the design and manufacture of this equipment. In view of this, at a minimum, we suggest you do the following:

1. Obtain, read and understand the instructions and safety cautions of the auxiliary equipment manufacturer. Be certain that all equipment is installed in agreement with those instructions.

2. Check with Chief Industries, Inc. to verify that your system is designed to support any additional loads supplied by the auxiliary equipment.
3. Obtain any applicable safety decals from the manufacturer and make certain they are displayed in a visible location.
4. Make certain that all electrical equipment is properly installed and grounded by a qualified electrician.
5. Check availability and operation of electrical lock out and emergency stop systems.
6. Be certain that all guards and shields are securely in place.
7. Store all operation / maintenance manuals in a safe place for future use.

## General Contractor Responsibilities

It is the responsibility of the general contractor to verify that the complete catwalk system is constructed with quality workmanship and that all equipment is installed per the respective manufacturer's instructions. This includes the following:

- Catwalk
- Attached equipment
- Accessory equipment

In addition, the general contractor is responsible for the fitness of use of any system which he constructs. All accessory equipment incorporated into the system, from each respective equipment manufacturer, should be approved for the intended use.

### Accessory Equipment

Accessory equipment can be installed with the catwalk; however certain limitations and special considerations must be followed in order to maintain the warranty.

All accessory equipment should be installed and maintained in accordance with each individual supplier's installation and operation instructions. However, if any modifications to the Chief standard design are required, contact Chief for special recommendations.

**Note:** Do not modify the catwalk design without Chief approval. It is the responsibility of the general contractor to verify that all equipment is properly installed and that the equipment is compatible with the intended use. A qualified electrician should be contracted to complete all electrical wiring and servicing.

### Field Modifications and Installation Defects

Chief Industries, Inc. assumes no responsibility for field modifications or installation defects which result in structural damage. If any field modifications are necessary which are not specifically covered by the contents of the installation manual, contact Chief for approval. Any unauthorized modification or installation defect which affects the structural integrity of the catwalk will void the warranty.

## Packing List

For your convenience in the installation all packages and individual items are labeled with an appropriate part number. Hardware, including bolts, nuts, screws and other small clips or brackets may be divided into smaller packages for ease of use and identification.

Verify and inspect all items carefully when unpacking and before installing. This should be done at the time of pickup or delivery. Compare the items to the packing list provided with the shipment. In case of any shortage or damage during shipment, note such shortage or damage on the freight bill before you sign the shipment paperwork and file a claim with the carrier.

Claims of shortages will not be honored after thirty days from receipt of shipment. Parts that are short or damaged are the responsibility of the delivering carrier, not the manufacturer or dealer.

It is advisable to reorder damaged or missing parts immediately so that there will be no delay in the installation. After receiving the invoice for the reordered material, file a claim with the delivering carrier immediately.

## Suggested Equipment

Chief recommends the following equipment and tools needed for installation. Individual installations may vary.

- Impact wrenches and sockets
- End wrenches
- Crescent wrenches
- Vise grip pliers
- Alignment punches
- Rubber mallets
- Level

## Crane Weight Capacity

Verify the total dead load by referring to the corresponding manual addendum for your application. This weight includes all structural members and included hardware.

When determining the crane capacity necessary to install the catwalk, the boom distance must be considered. If a single crane will not lift the catwalk two cranes may be used, utilizing a spreader bar. The spreader bar must be adequately designed to carry the entire dead weight.

**Note:** Overloading the crane capacity can result in substantial property damage and severe personal injury. Always verify crane capacity prior to lifting.



## Installation Procedures

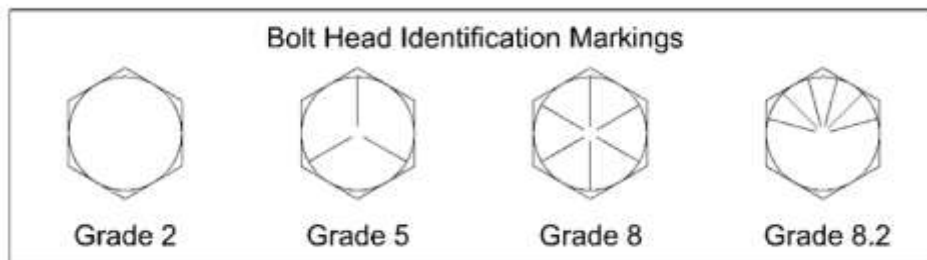
Before starting verify you have a copy of the packing list, this will assist you in identifying the correct part numbers required for your system.

**Note:** Leave all hardware (bolts, nuts, washers) loose until all components in a single bay have been added. This will allow you to square and plumb each bay and ensure that tolerances do not accumulate.

**Note:** Bolt heads are to be installed inside of the catwalk walkway.

**Note:** Verify the correct catwalk type / style by looking at the weld dots located near the end of the catwalk posts.

All components are assembled using SAE grade 5 hex head bolts with corresponding lock washers and nuts. Bolts are marked with radial lines on the bolt head as shown in the following illustration.



If these descriptions do not correspond with the bolts shipped with the bin, please contact the customer service department immediately. Substitution of any other type or bolt grade or hardware from other sources is not allowed and will void the warranty.

When installing hardware the minimum and maximum torque values shown below must be followed. All hardware must seat tight against the corresponding bin component.

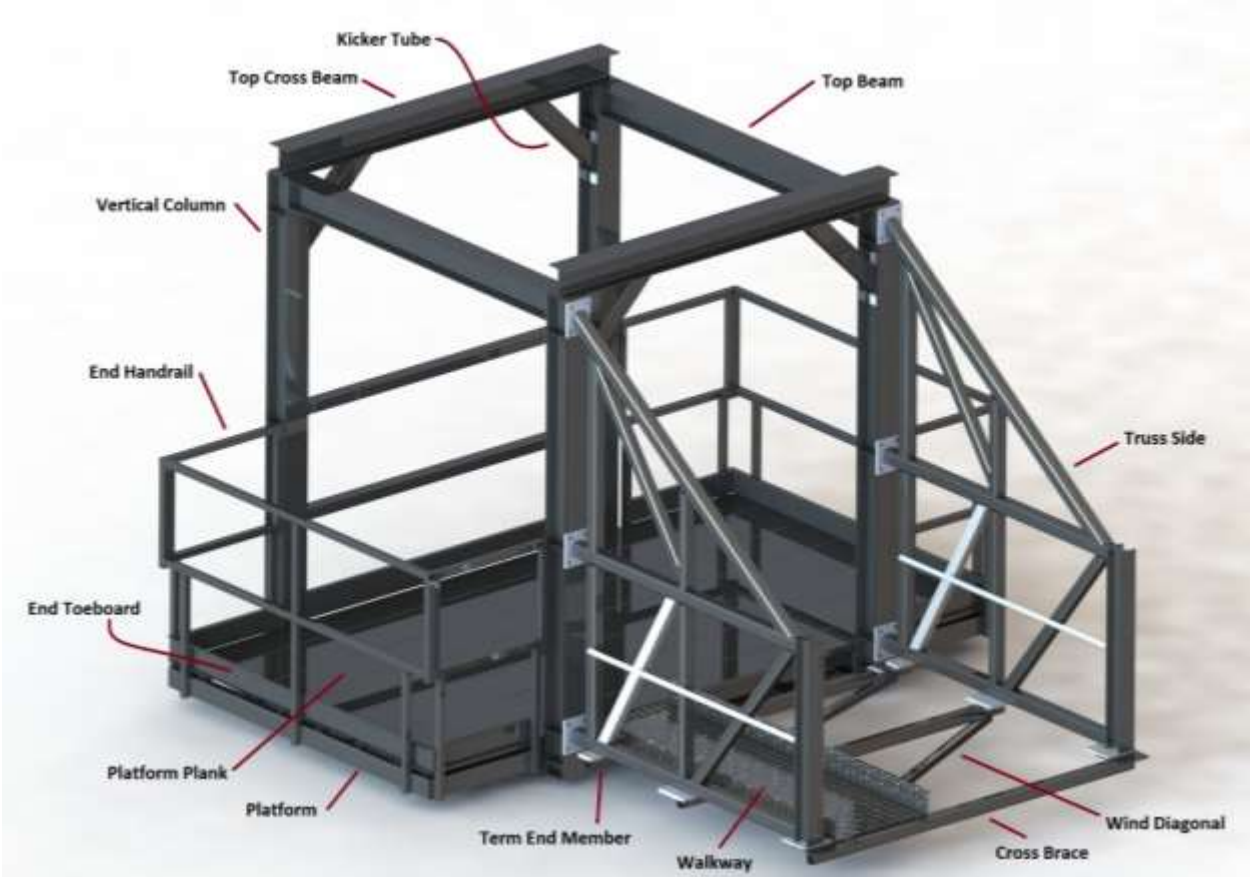
<b>Bolt Diameter</b>	<b>Grade 2</b>	<b>Grade 5</b>	<b>Grade 8</b>	<b>Grade 8.2</b>
1/4" (.63cm)	6 ft.-lbs.	10 ft.-lbs.	14 ft.-lbs.	14 ft.-lbs.
5/16" (.79cm)	12 ft.-lbs.	19 ft.-lbs.	29 ft.-lbs.	29 ft.-lbs.
3/8" (.95cm)	20 ft.-lbs.	25 ft.-lbs.	47 ft.-lbs.	47 ft.-lbs.
3/4" (1.90cm)	155 ft.-lbs.	240 ft.-lbs.	380 ft.-lbs.	380 ft.-lbs.
1" (2.54cm)	-	-	910 ft.-lbs.	-

Please note the following wrench / socket size to be used on the corresponding hardware:

<b>Bolt Size</b>	<b>Head Size</b>	<b>Nut Size</b>
1/4" (.63cm)	7/16" wrench	7/16" wrench
5/16" (.79cm)	1/2" wrench	1/2" wrench
3/8" (.95cm)	9/16" wrench	9/16" wrench
3/4" (1.90cm)	1-1/8" wrench	1-1/8" wrench
1" (2.54cm)	1-1/2" wrench	1-1/2" wrench

### Catwalk Components

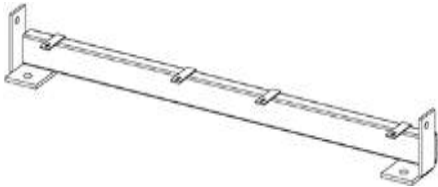
To save time and assist as a quick reference guide, the main component parts and the main assemblies created from these specific components will be shown on the following pages. Take note of the orientation of these parts in the top level assemblies to help reduce time and errors during the installation process.



### Terminating End Brace

The terminating end brace is located at the end of the catwalk and is used in combination with an end enclosure.

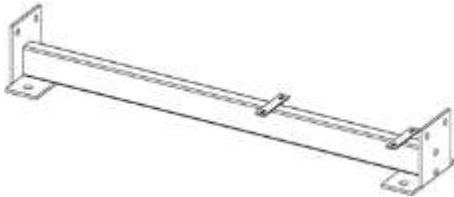
<b>30"</b> <b>Mounting</b>	<b>45"</b> <b>Mounting</b>	<b>60"</b> <b>Mounting</b>
961738	9621709	9621739



### Cross Brace

The cross brace is located under the catwalk truss sections.

<b>30"</b> <b>Mounting</b>	<b>45"</b> <b>Mounting</b>	<b>60"</b> <b>Mounting</b>
9621734	9621678	9621736



### Wind Diagonal

The wind diagonal is located under the platform cross braces and the mounting position can be reversed to provide a larger access opening for attached equipment through the bottom of the platform.

<b>30" Mounting</b>	<b>45" Mounting</b>	<b>60" Mounting</b>
9622762	9622764	9622766

The standard wind diagonal is located under the cross braces and the mounting position can be reversed to provide a larger access opening for attached equipment through the bottom of the catwalk.

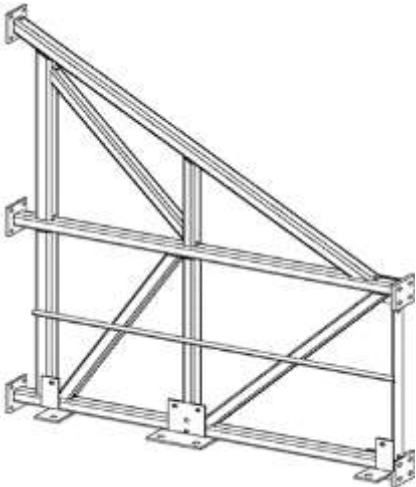
<b>30" Mounting</b>	<b>45" Mounting</b>	<b>60" Mounting</b>
9621740	9621677	9621742



### Side Truss Section

The side truss sections are located on the sides of the catwalk and form an integrated handrail.

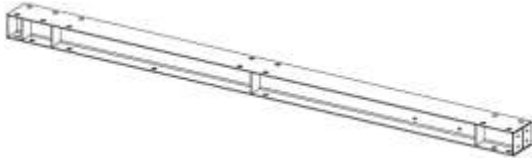
<b>LH 6'-8" (2.02m) Length</b>	<b>RH 6'-8" (2.02m) Length</b>
9622774	9622779



### Vertical Column

The vertical column is located on the end of the truss section and is the main vertical member of the assembled platform.

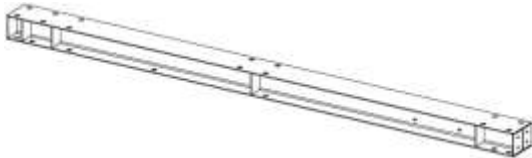
<b>#4 Walk Around</b>
9622525



### Top Beam

The top beam is located on the top end of the vertical column and is the main top beam of the assembled platform.

<b>#4 Walk Around</b>
9622941



### Bottom Beam

The bottom beam is located on the bottom end of the vertical column and is the main bottom beam of the assembled platform.

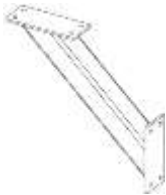
<b>#4 Walk Around</b>
9622943



**Kicker Tube**

The kicker tube is located on the top end of the vertical column and connects the vertical column to the top cross beam of the assembled platform.

<b>#4 Walk Around</b>
9622534



**Top Cross Beam**

The top cross beam is located on the top of the vertical column and connects the left and right vertical columns of the assembled platform.

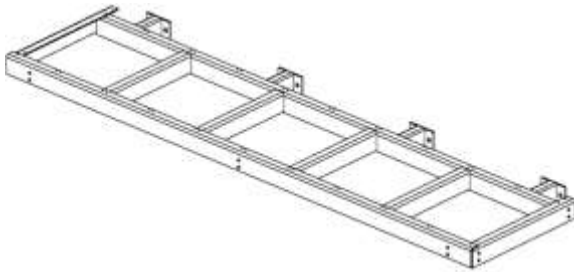
<b>30"</b>	<b>45"</b>	<b>60"</b>
<b>Mounting</b>	<b>Mounting</b>	<b>Mounting</b>
9622747	9622748	9622749



**Platform**

The platform is located on each side of the vertical columns and provides access around the assembled platform.

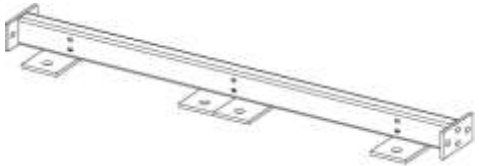
<b>#4 Walk Around</b>
9622945



### Floor Cross Brace

The floor cross brace is located under the platform sections.

<b>30" Mounting</b>	<b>45" Mounting</b>	<b>60" Mounting</b>
9622756	9622758	9622760



### Floor Diagonal Brace

The floor diagonal brace is located under the cross braces on platform sections.

<b>30" Mounting</b>	<b>45" Mounting</b>	<b>60" Mounting</b>
9622768	9622770	9622772



### End Toe Board

The end toe board is located on the lower end of the vertical columns and provides a safety closure for the end of the platform section.

<b>30" Mounting</b>	<b>45" Mounting</b>	<b>60" Mounting</b>
9622753	9622754	9622755



### Safety Top/Mid Rail

The safety top and mid rails are located on the vertical columns and provides a safety closure for the end of the platform section.

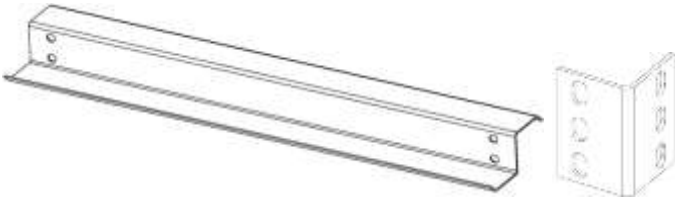
<b>30" Mounting</b>	<b>45" Mounting</b>	<b>60" Mounting</b>
9622750	9622751	9622752



### Floor Zee and Zee Clip

The floor zee is located on the platform floor and provides support for the platform walkway.

<b>Zee</b>	<b>Clip</b>
9622594	9622595



### Platform Handrail Support

The platform handrail support is located on the vertical columns and provides an attachment for the platform end handrails.

<b>Support</b>
9622622

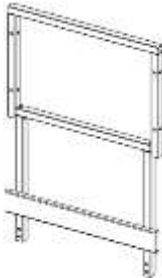




**Platform End Handrail**

The platform end handrail is located on each side of the vertical columns and provides a safety closure for the platform.

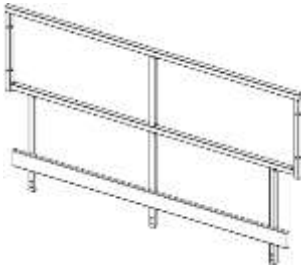
<b>26" Opening</b>
9622544



**Platform Side Handrail**

The platform side handrail is located on each side of the platform and provides a safety closure for the platform.

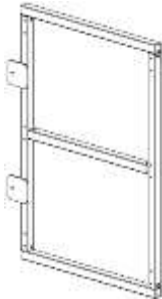
<b>Standard Length</b>
9622948



**Gate Weldment**

The gate weldment is located on the side of the vertical column and provides an entry point for the platform.

<b>#4 Walk Around</b>
9622555



**Gate Post Weldment**

The gate post weldment attaches vertically to the platform side handrail and the gate weldment.

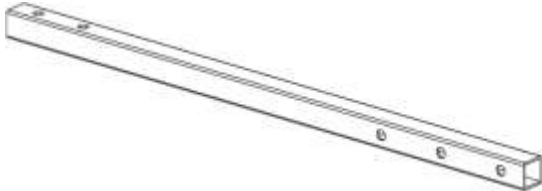
<b>#4 Walk Around</b>
9622558



**Gate Post Tube**

The gate post tube attaches horizontally to the gate post gusset and platform top cross beam.

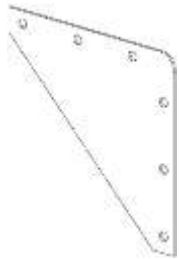
<b>#4 Walk Around</b>
9622739



**Gate Post Gusset**

The gate post gusset is attached to the vertical gate post and the horizontal gate post tube.

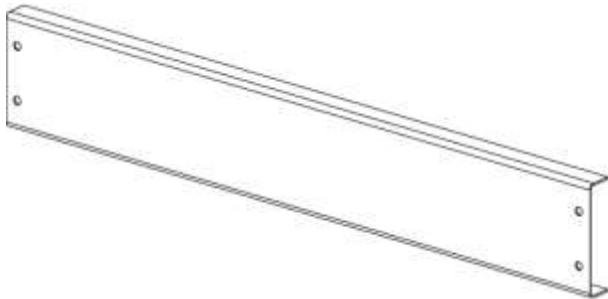
<b>#4 Walk Around</b>
9622623



**Gate Toe Board**

The gate toe board is attached to the gate weldment and provides a safety feature to the gate weldment and can be installed for either a left hand or right hand gate configuration.

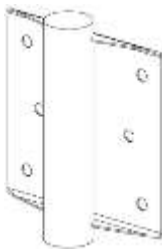
<b>#4 Walk Around</b>
9622740



**Gate Hinge**

The gate hinge is attached to the gate weldment and can be installed for either a left hand or right hand gate configuration.

<b>#4 Walk Around</b>
625691



**Floor Planks**

The floor planks are located on the platform bay and provides a safe floor surface.

<b>STD Platform 12' (3.65m) Length</b>	<b>30" MTG Platform 12' (3.65m) Length</b>	<b>45" MTG Platform 12' (3.65m) Length</b>	<b>60" MTG Platform 12' (3.65m) Length</b>
9622614	9622780	9622782	9622784



**Walkway**

The walkway provides safe access to equipment and is located the full length of catwalk.

<b>3'-4" (1.91m) Length</b>	<b>6'-8" (2.02m) Length</b>	<b>10' (3.04m) Length</b>	<b>20' (6.09m) Length</b>
9621037	9621036	9621035	621035



**Support Beam / Load Beam**

If a catwalk walk around is located above a tower, support/load beams are attached beneath the platform and perpendicular to the catwalk direction. These beams are mounted to the tower top load beams.

<b>#4 Walk Around</b>
9622295

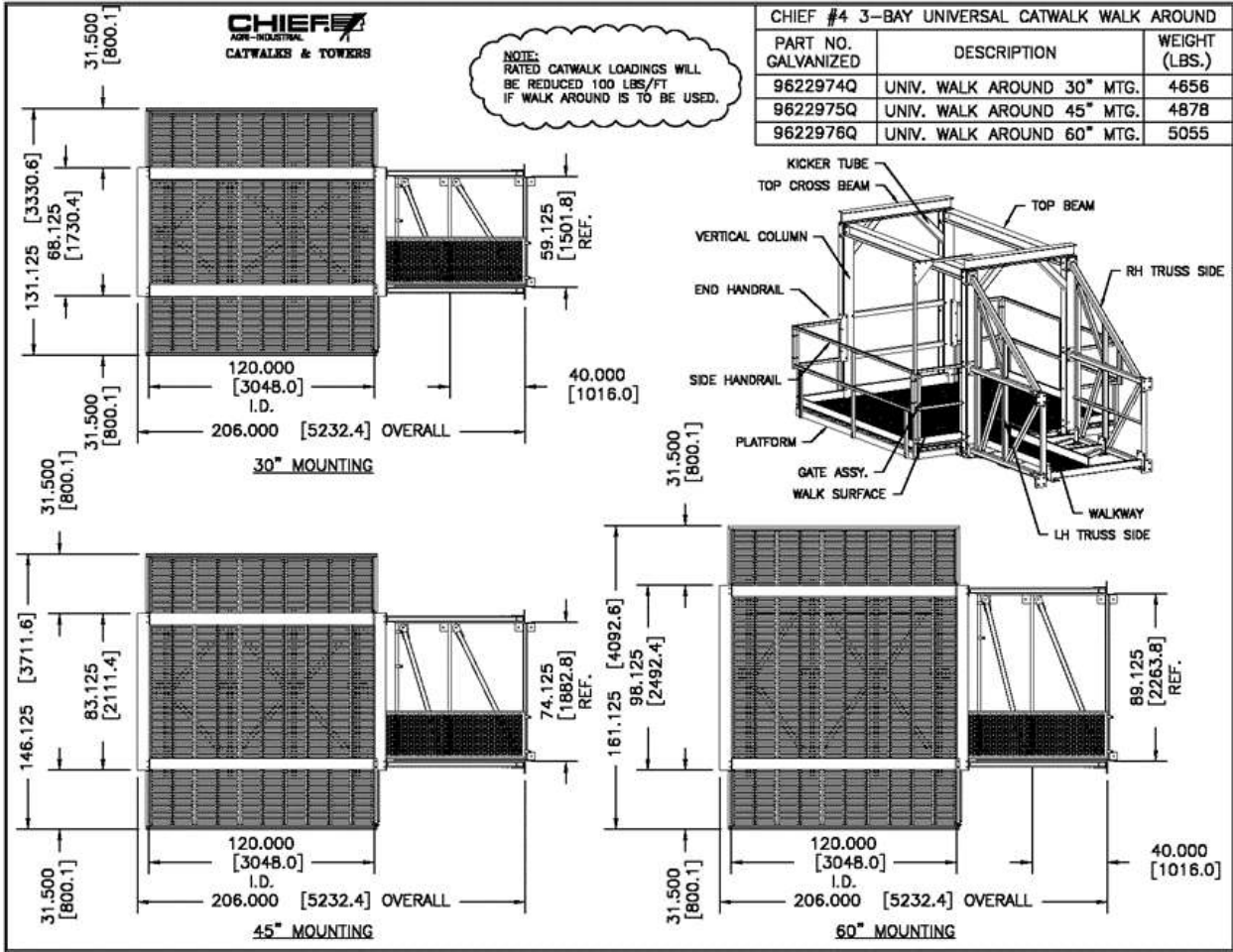


**Hardware Packages**

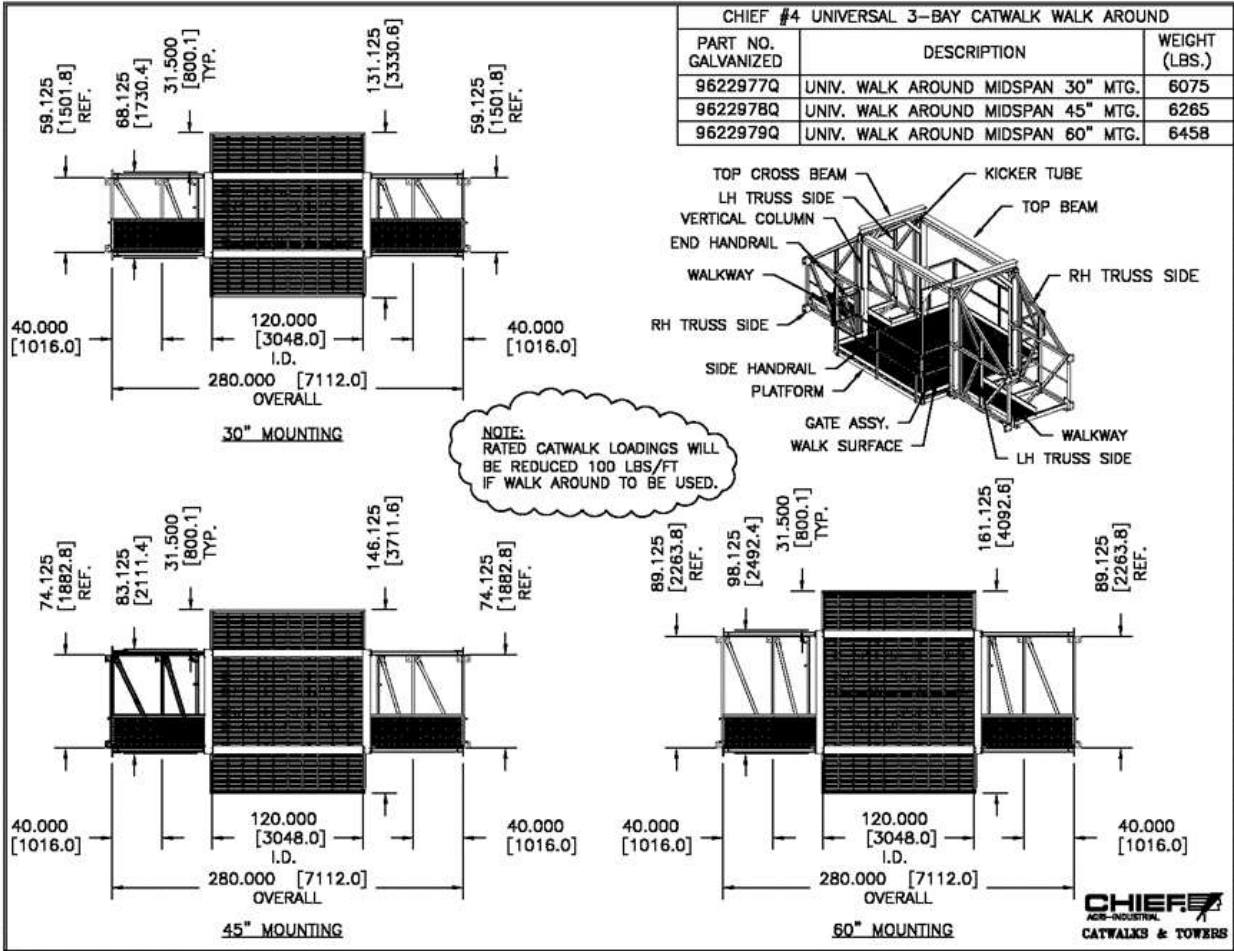
- Terminating Walk Around 9622971
- Mid Span Walk Around 9622973

Mounting Areas

Terminating Walk Around

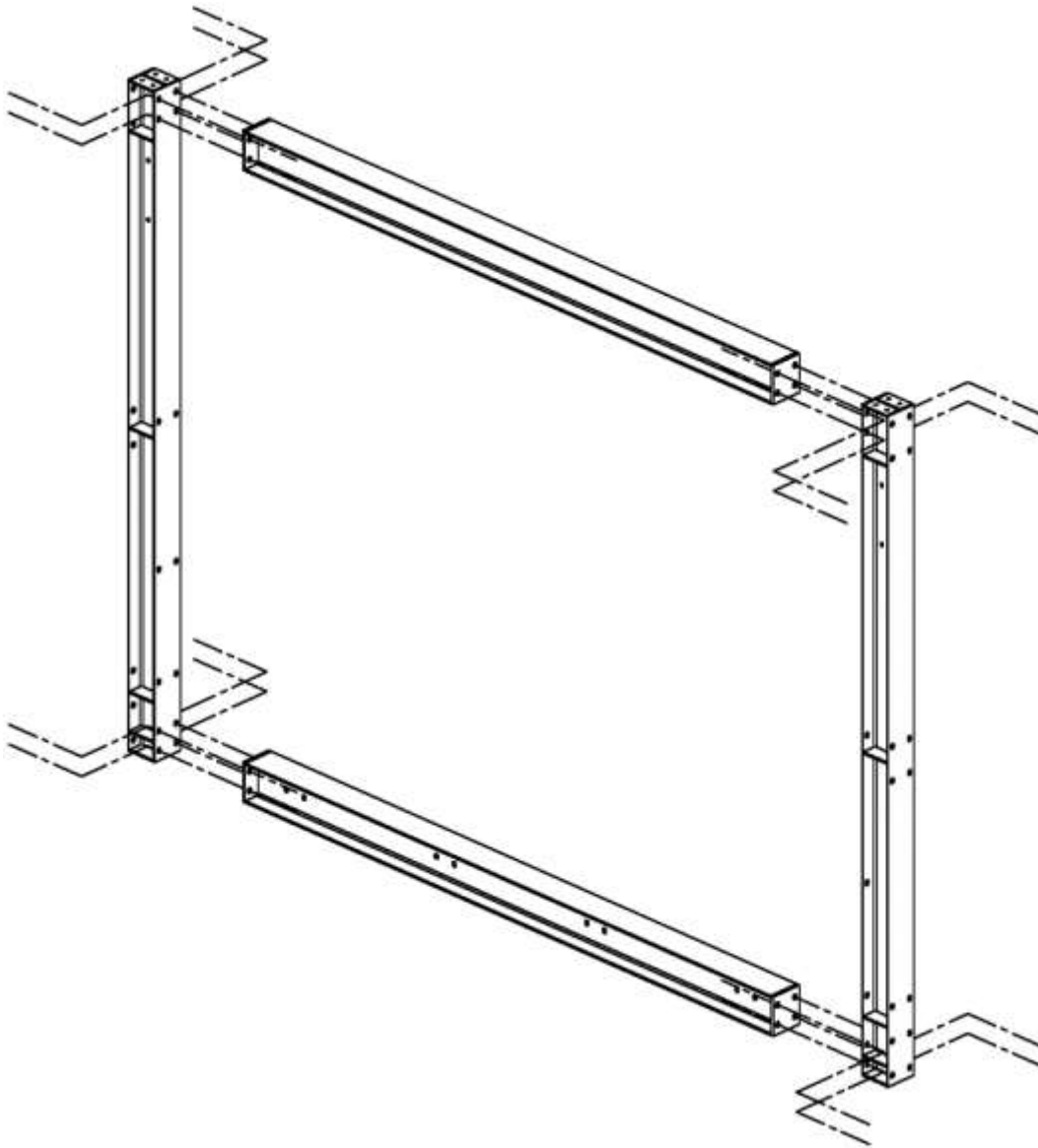


Mid Span Walk Around

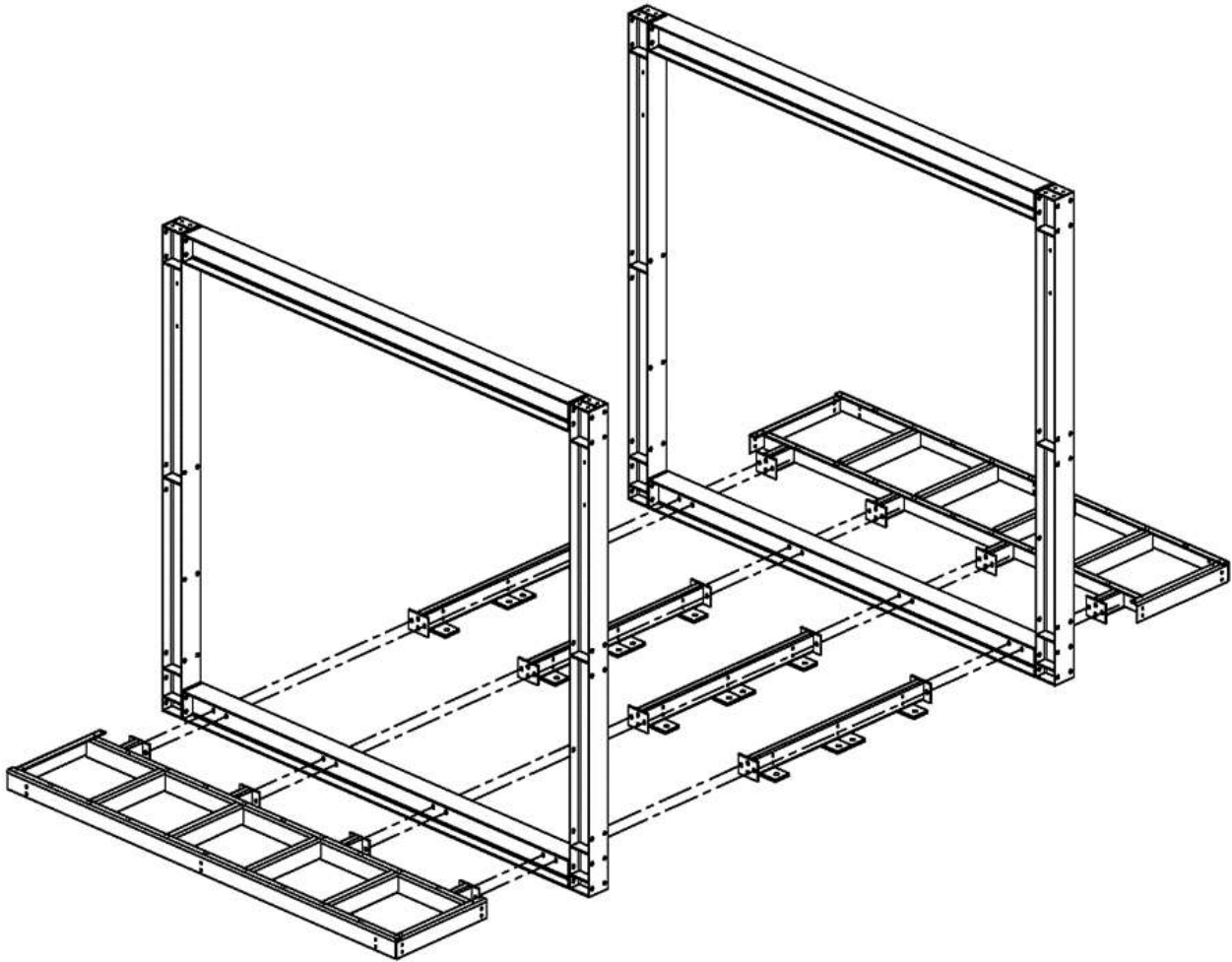


## Installation

Bolt the top and bottom beams to the vertical columns using 3/4" x 2" bolts as show in the following illustration.



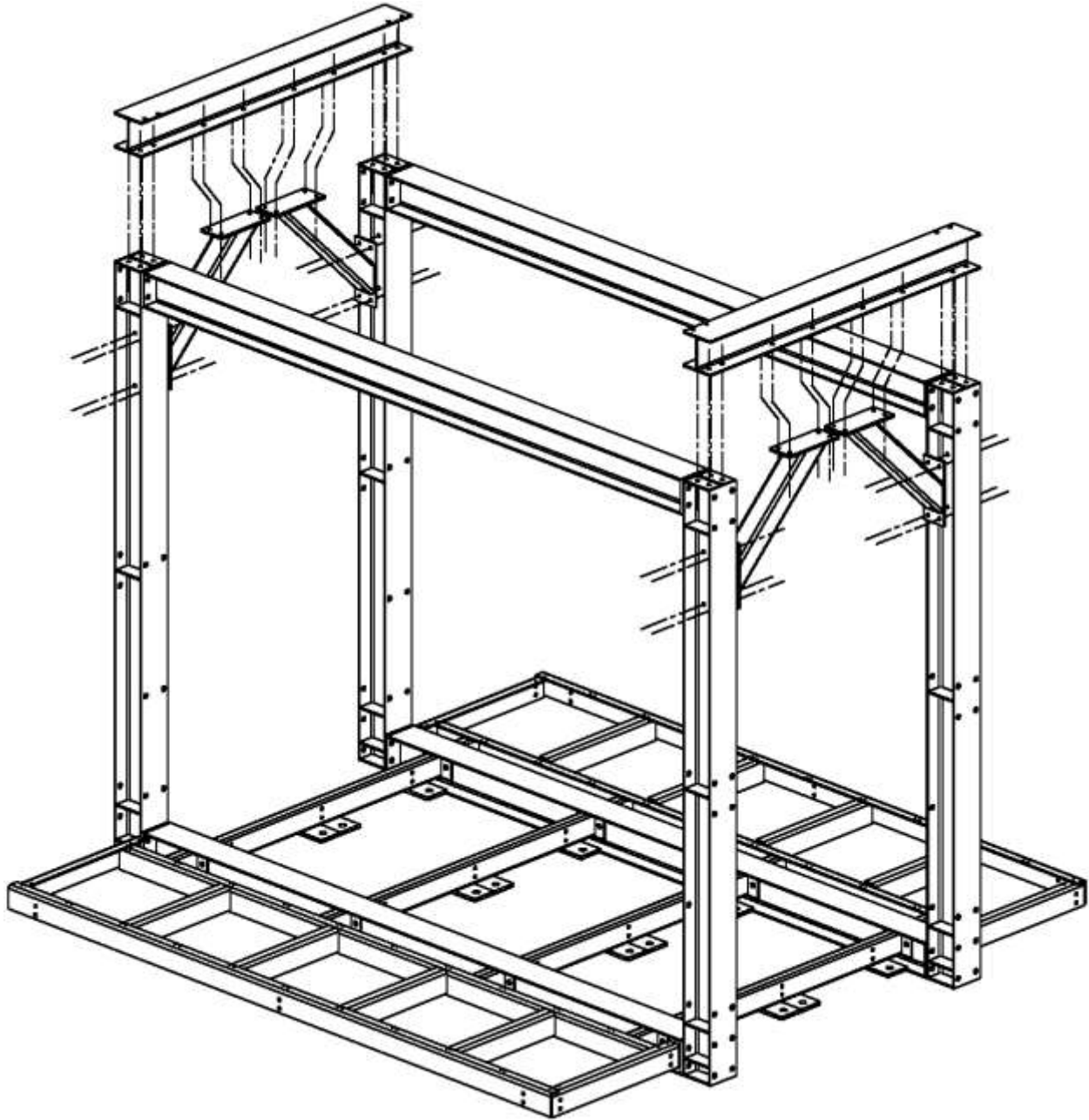
Place the platforms and the floor cross braces between the beam assemblies as shown in the following illustration. Attachment plates on the floor cross braces will align with the holes in the bottom beams. Install the platform/floor brace connections using 3/4" x 2-1/2" bolts.





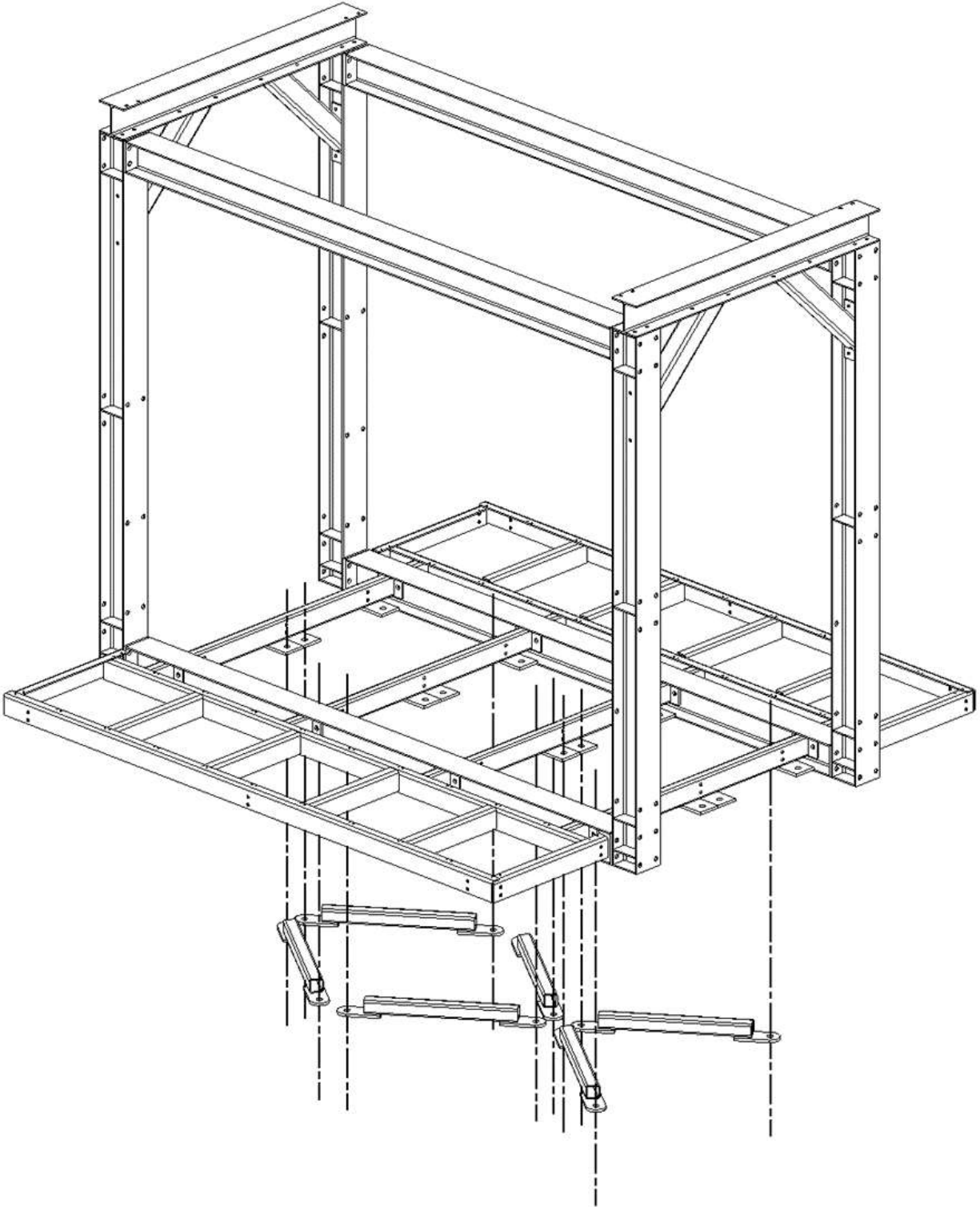
Bolt the ends of the top cross beam to the top of the vertical columns using 1/2" x 1-1/4" bolts as shown in the following illustration.

Install the kicker tubes to the top cross beam and vertical columns using 1/2" x 1-1/4" bolts. The attachment plates on the kicker tube will align with holes on the bottom side of the top cross beam and the holes in the vertical column.

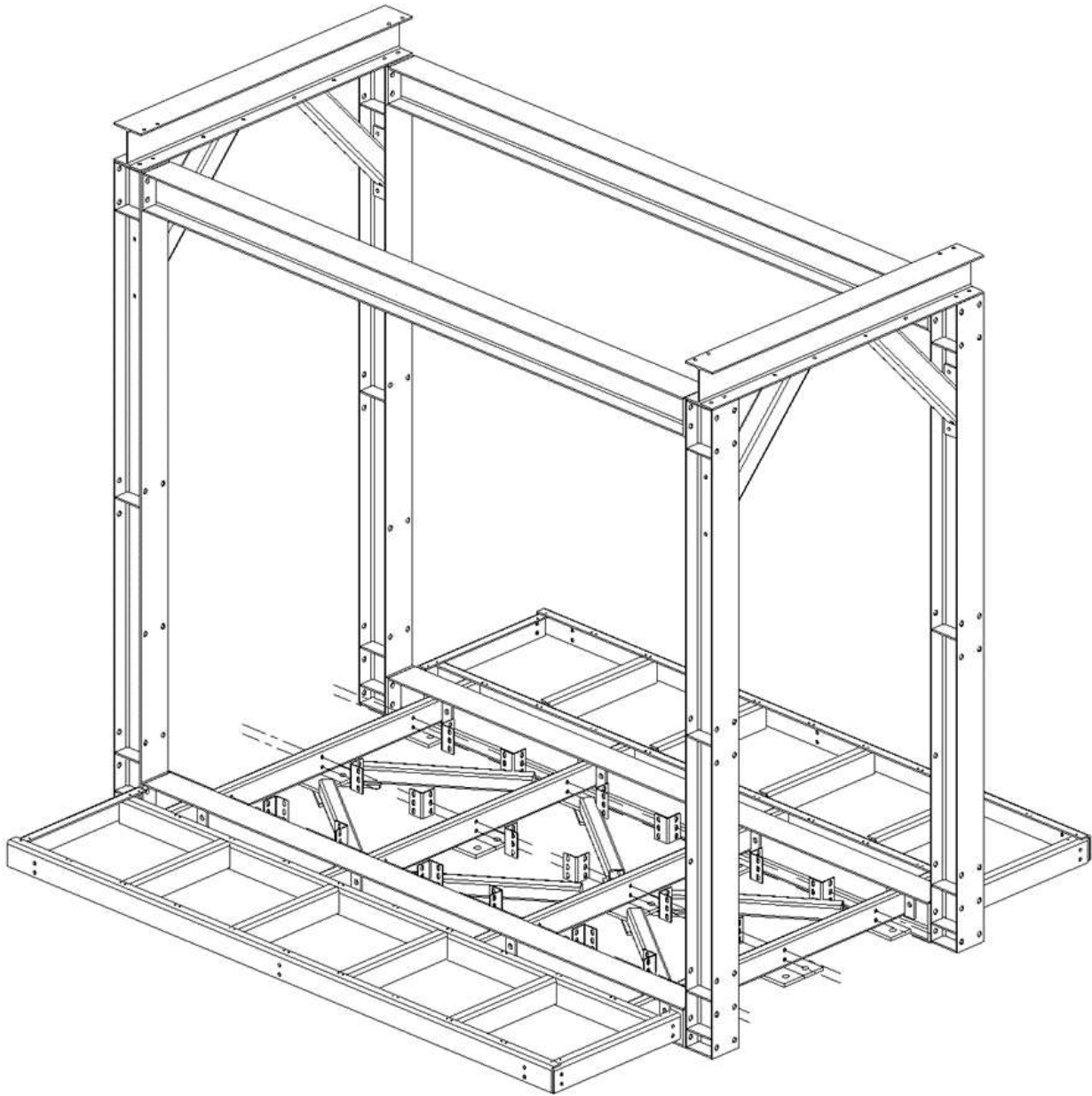


Install the floor diagonal braces to the floor cross brace connection plates using 1" x 2-3/4" grade 8 bolts with lock washers and nuts.

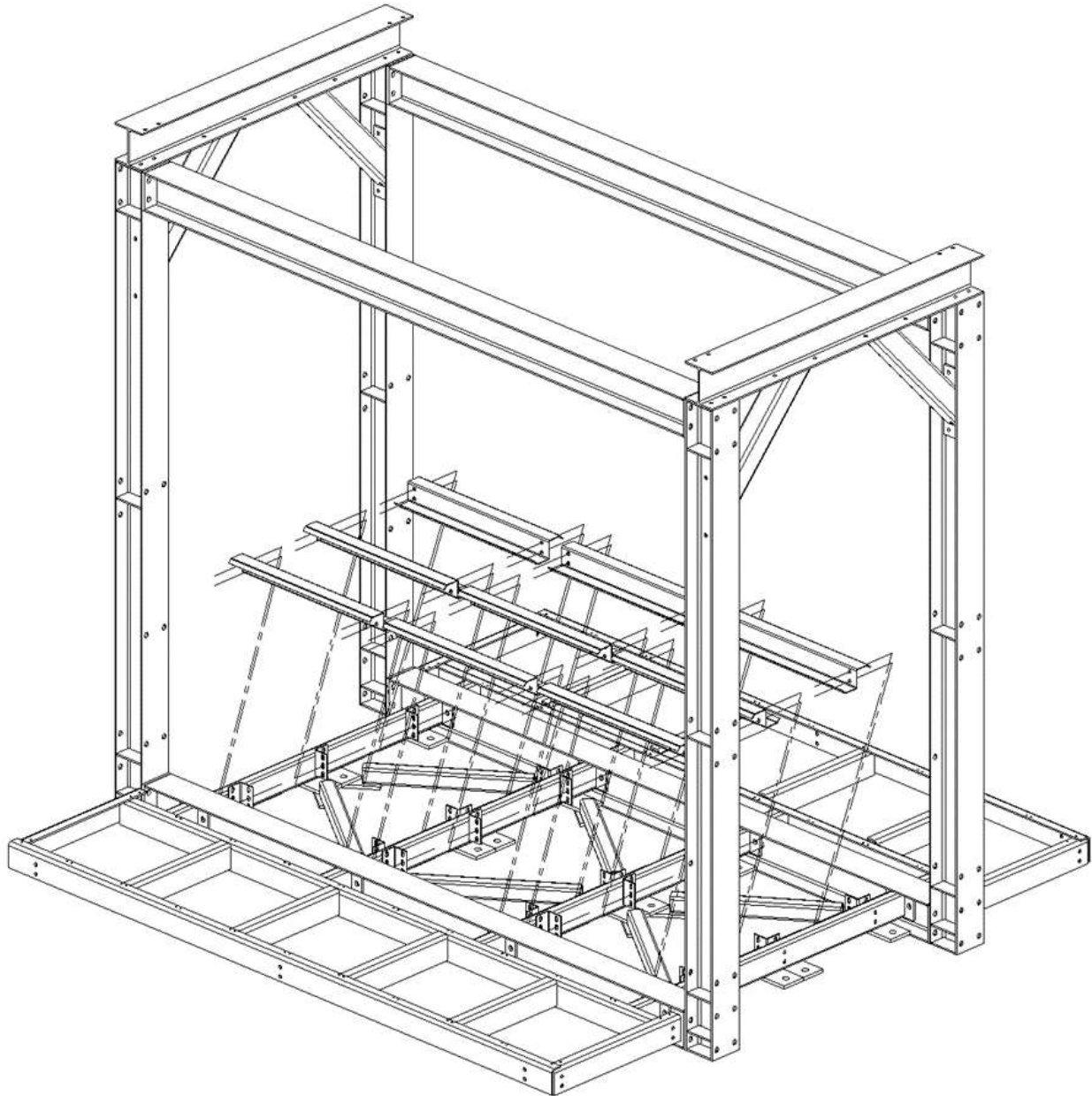
**Note:** The floor diagonal braces may be located in different positions as needed to eliminate interference with equipment located on the platform.



Install the floor zee clips on the floor cross braces using  $1/2'' \times 3-1/2''$  bolts. **Note:** Leave these connections finger tight at this time.

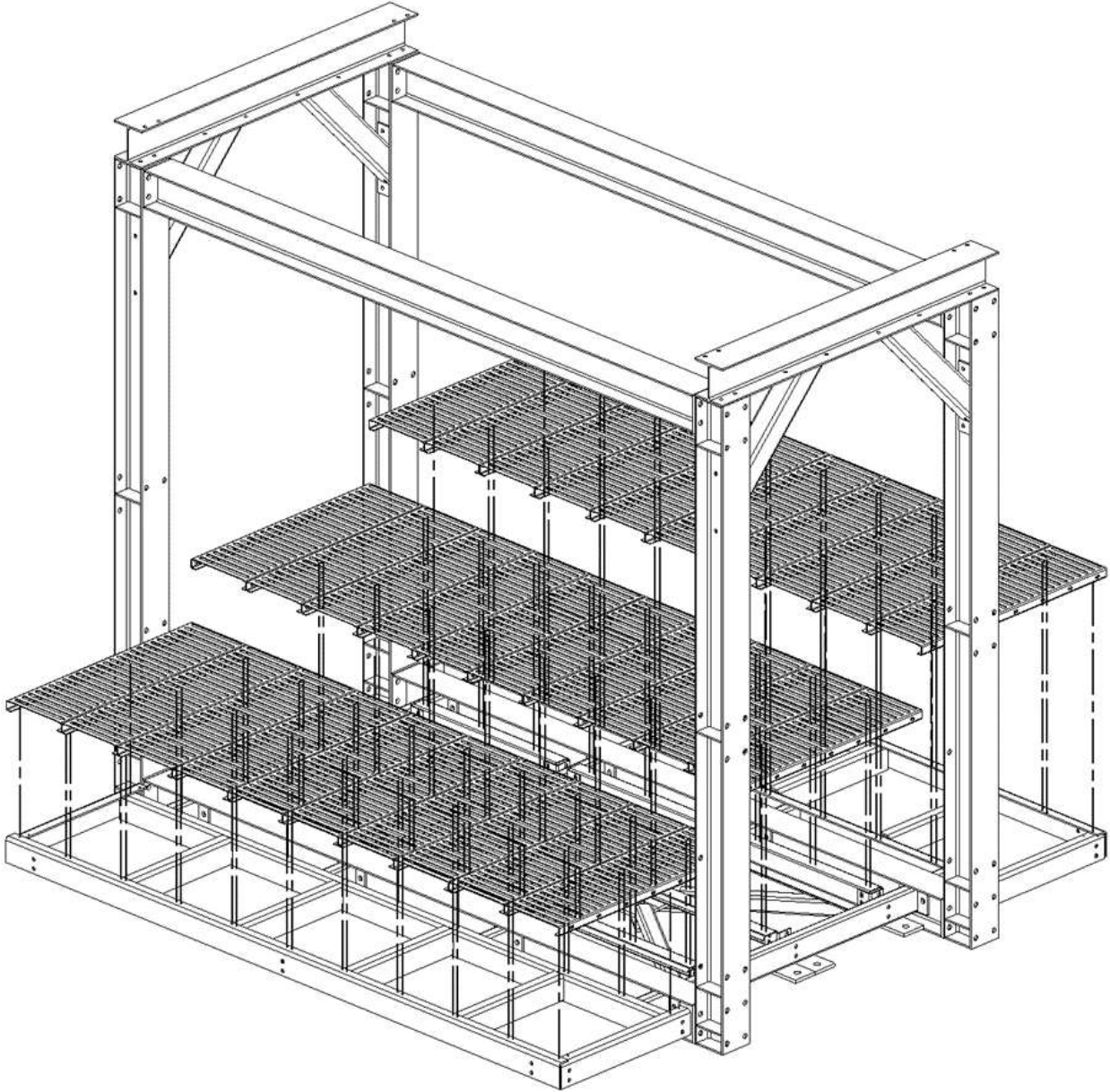


Attach the floor zees to the floor zee clips using 1/2" x 1-1/4" bolts. Verify the top of the floor zees are at the same level as the top flange of the bottom beam and fully tighten floor connections.

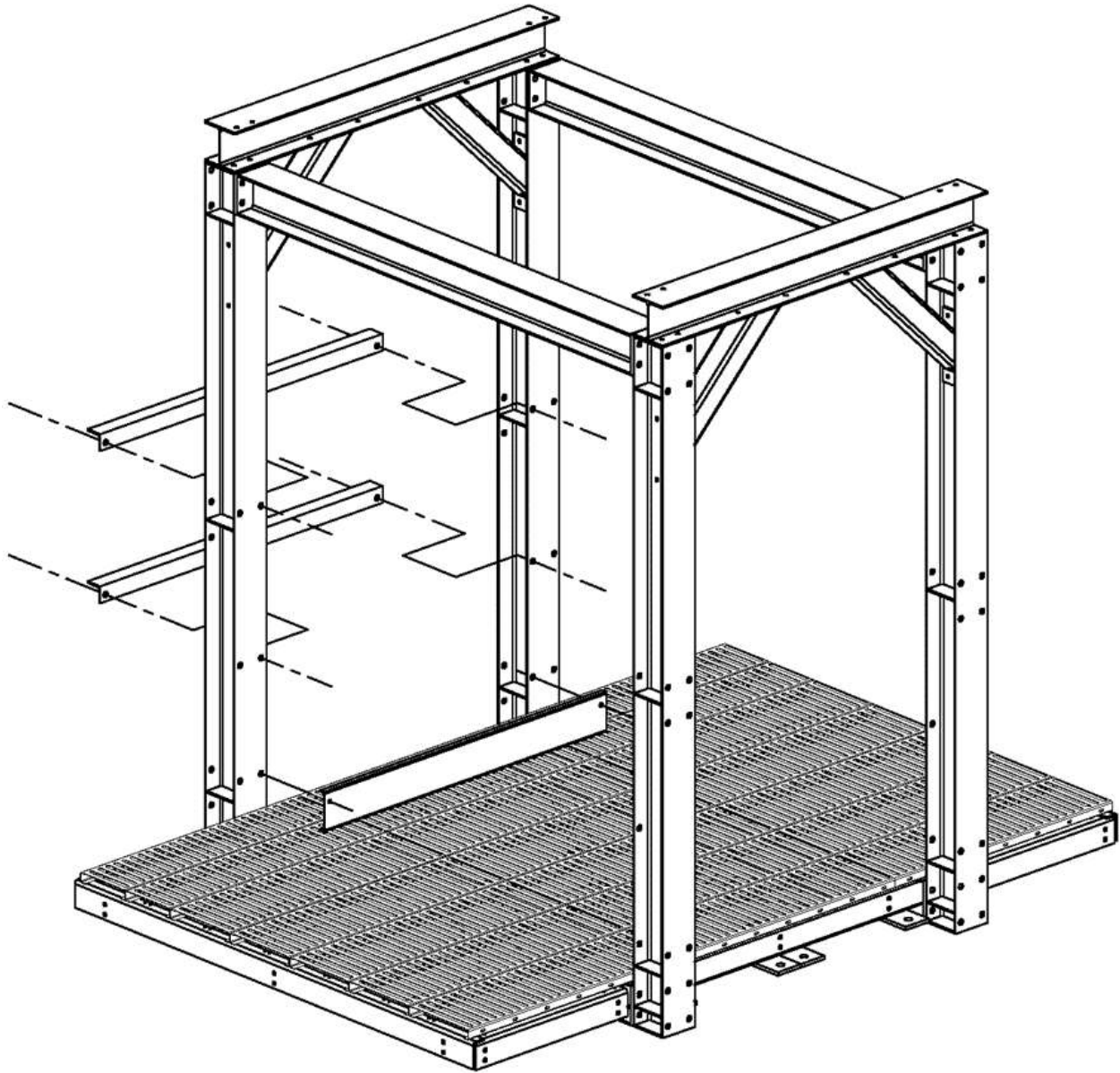




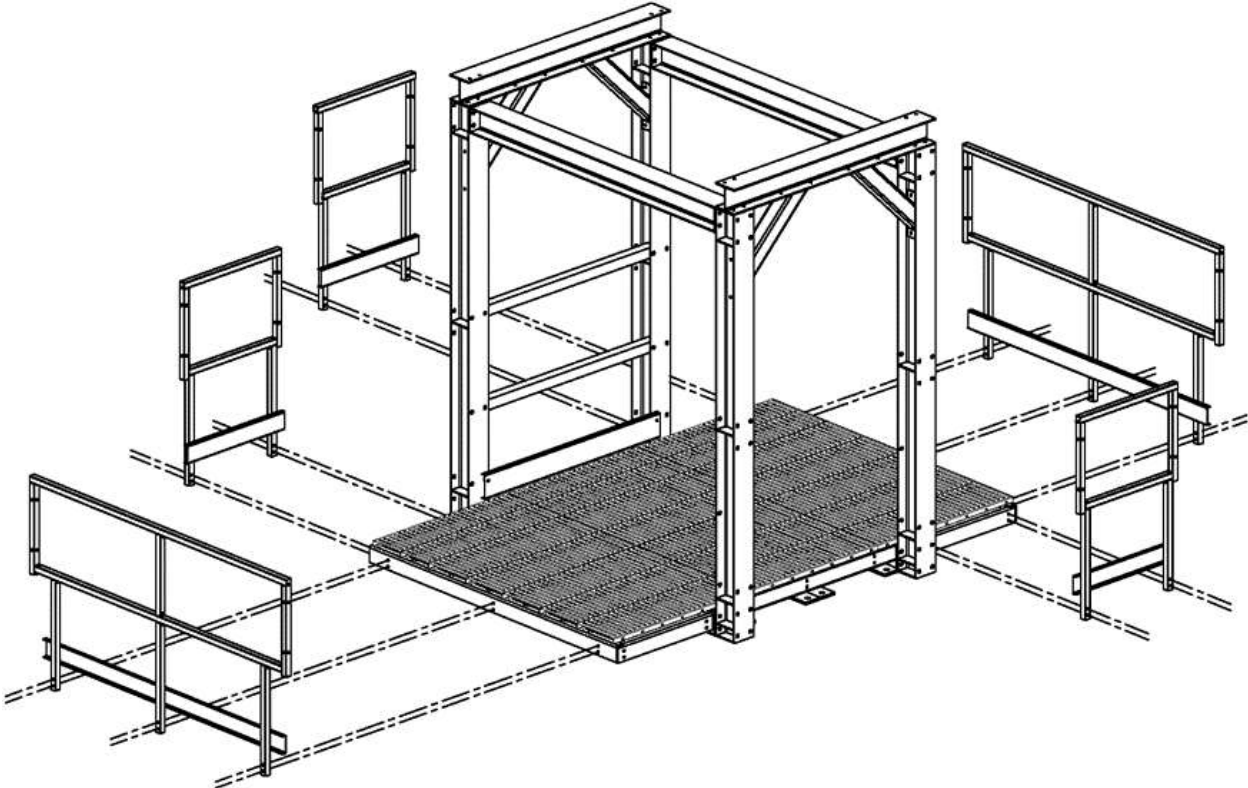
Attach rows of planking to the platform and also the center section using TEK screws. **Note:** Planking is fastened from the underside of the platforms thru the floor zee.



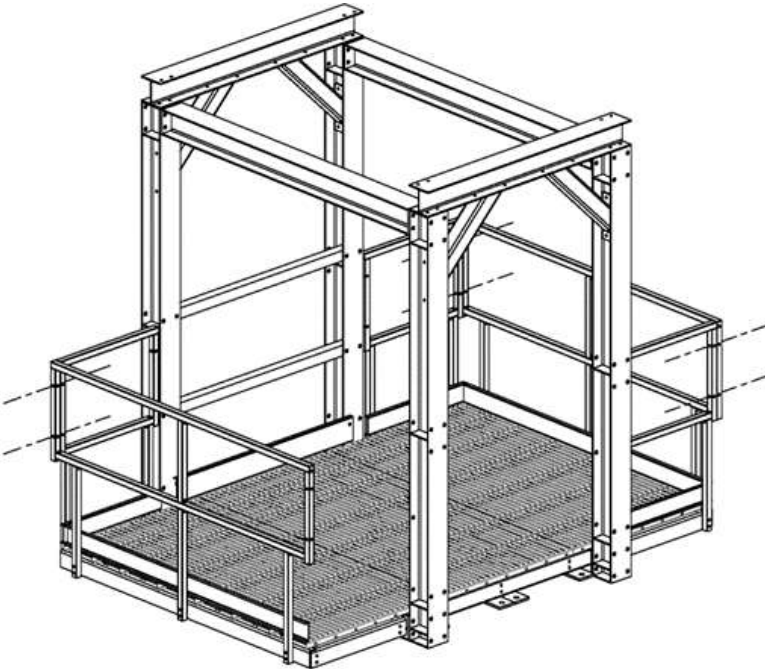
Attach (2) top/mid rail angles to the vertical columns with  $3/4"$  x  $1-1/2"$  bolts. Attach the end toe board to the vertical columns with  $1/2"$  x  $2-1/2"$  bolts.



Attach the side and end handrails to the platforms using 1/2" x 2-1/2" bolts.

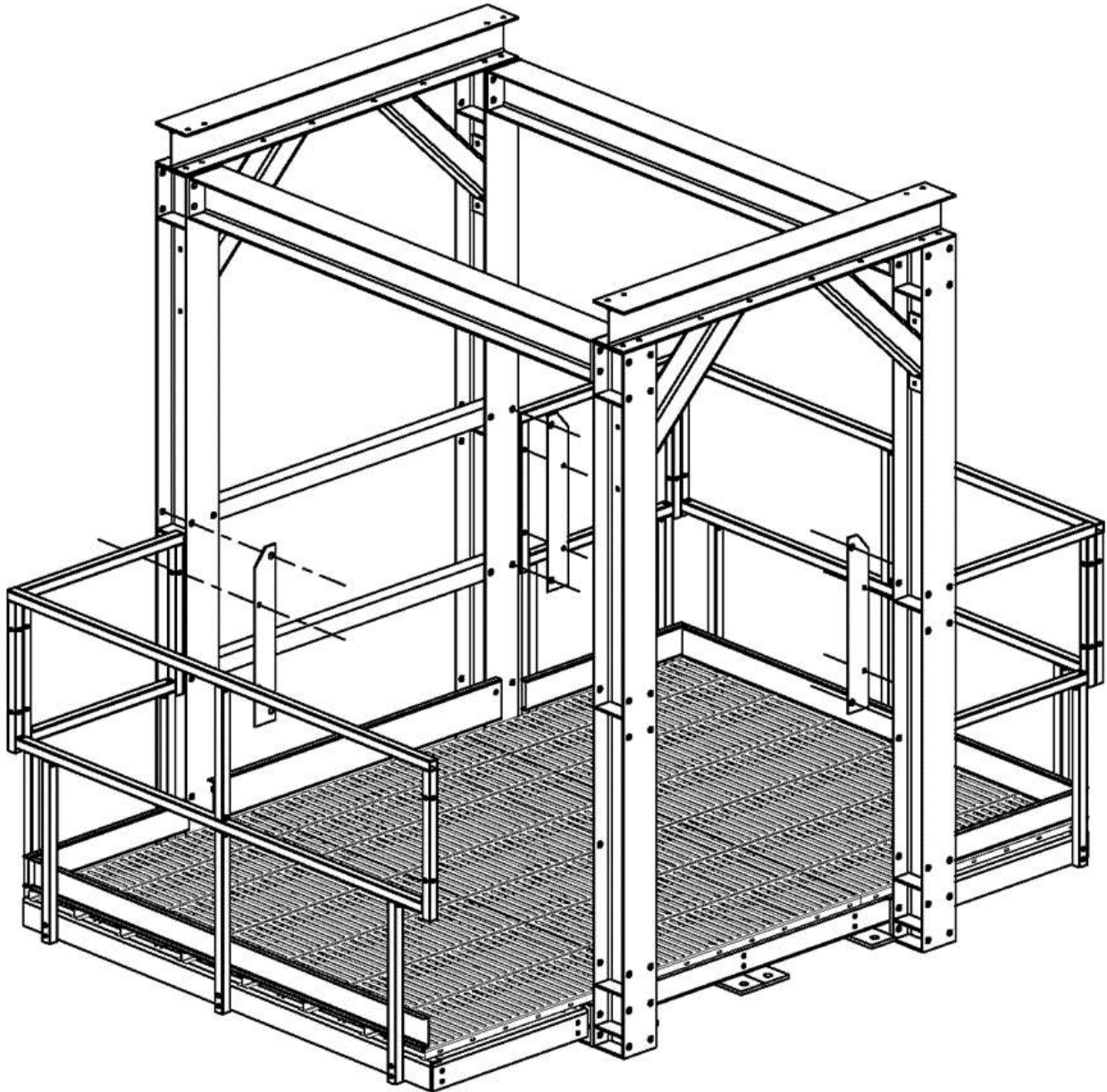


Bolt the end handrails to the side handrails using 1/2" x 4" bolts.





Attach the end handrail support to the vertical column using  $3/4''$  x  $1-1/2''$  bolts. Attach the end handrail support to the end handrail using  $1/2''$  x  $2-1/2''$  bolts.

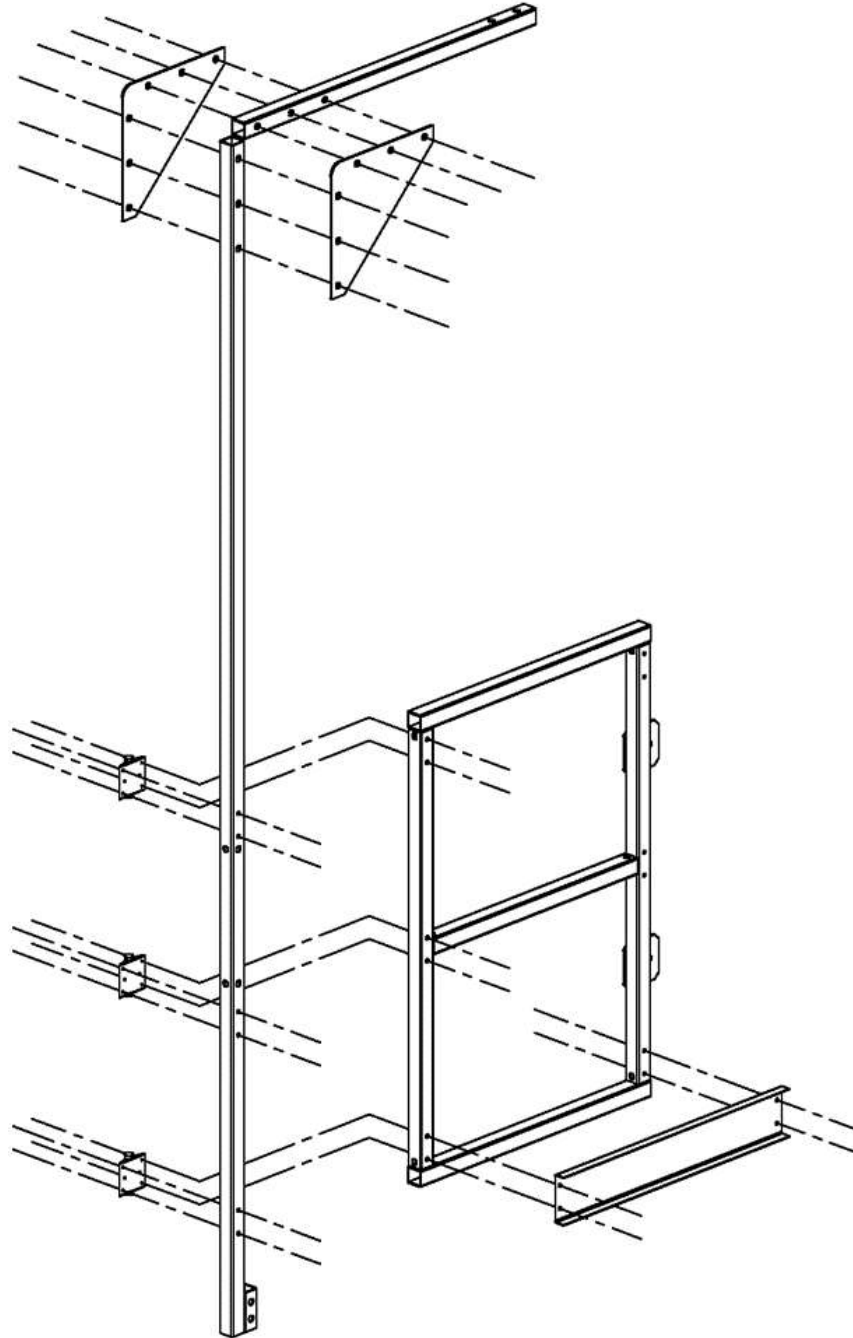




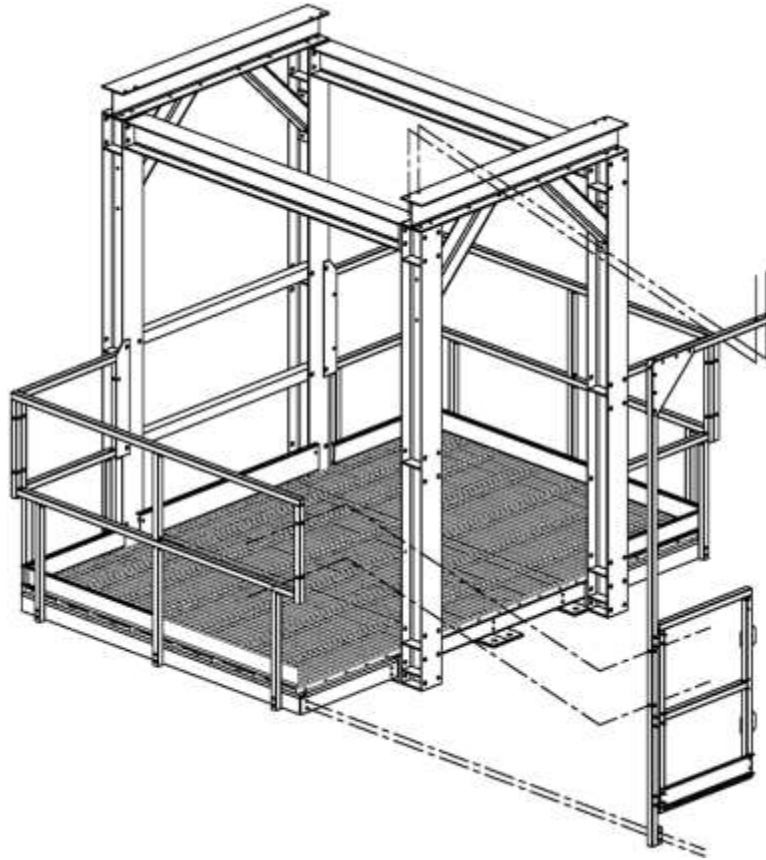
Assemble the gate and gate post as shown in the following illustration. Attach the gate post gussets to the gate post weldment and the gate post cross tube using 1/2" x 2-1/2" bolts.

Attach the toe board to the gate weldment using 1/4" x 2-1/2" bolts and whiz nuts. **Note:** The other side of the toe board will be attached when the hinges are bolted.

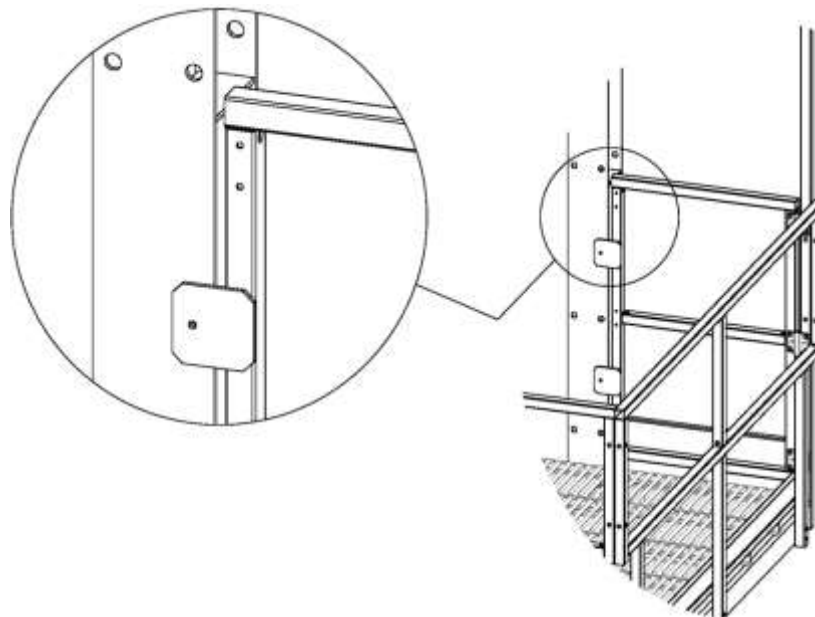
Attach the gate weldment to the gate post weldment with the gate hinges using 1/4" x 2-1/2" bolts and whiz nuts.



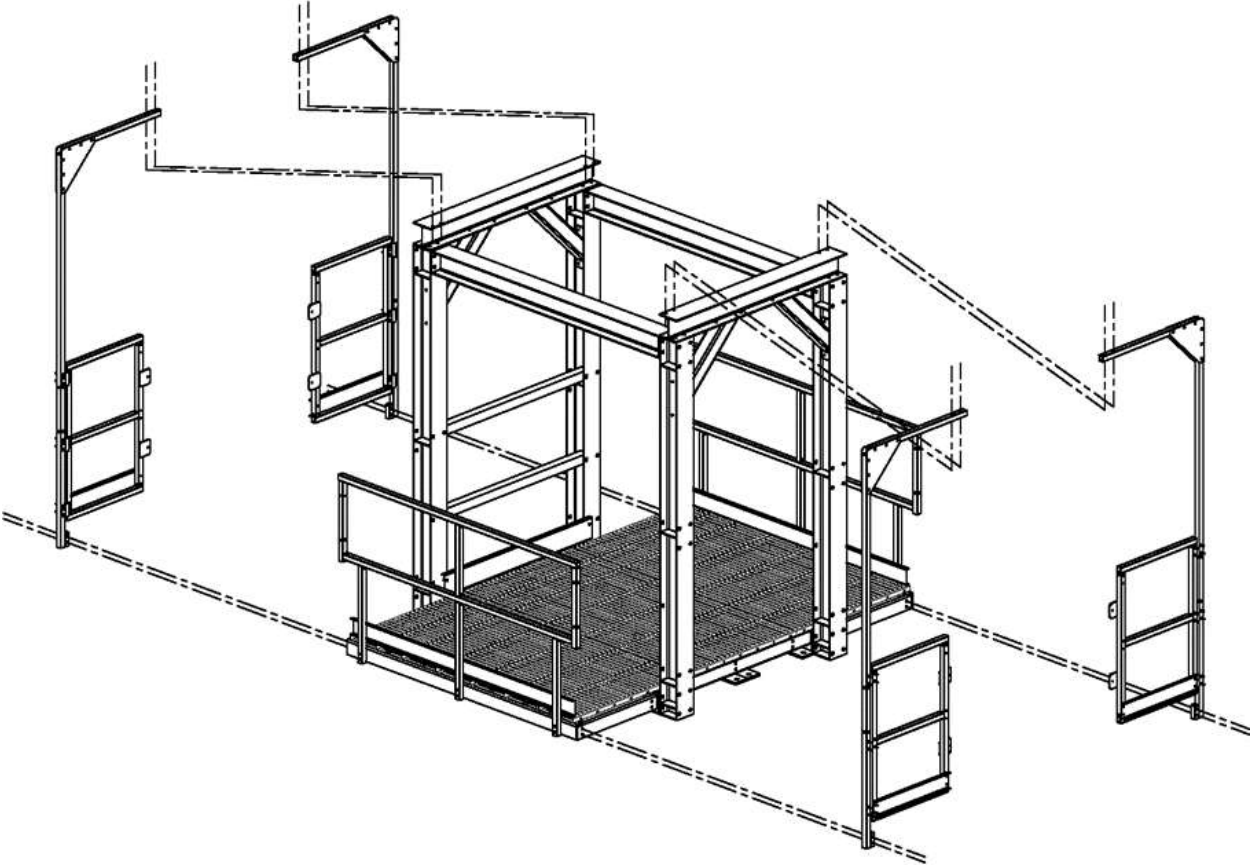
Attach the gate assembly to the platform base using 1/2" x 2-1/2" bolts. Attach the top of the gate assembly to the side handrail using 1/2" x 4" bolts.



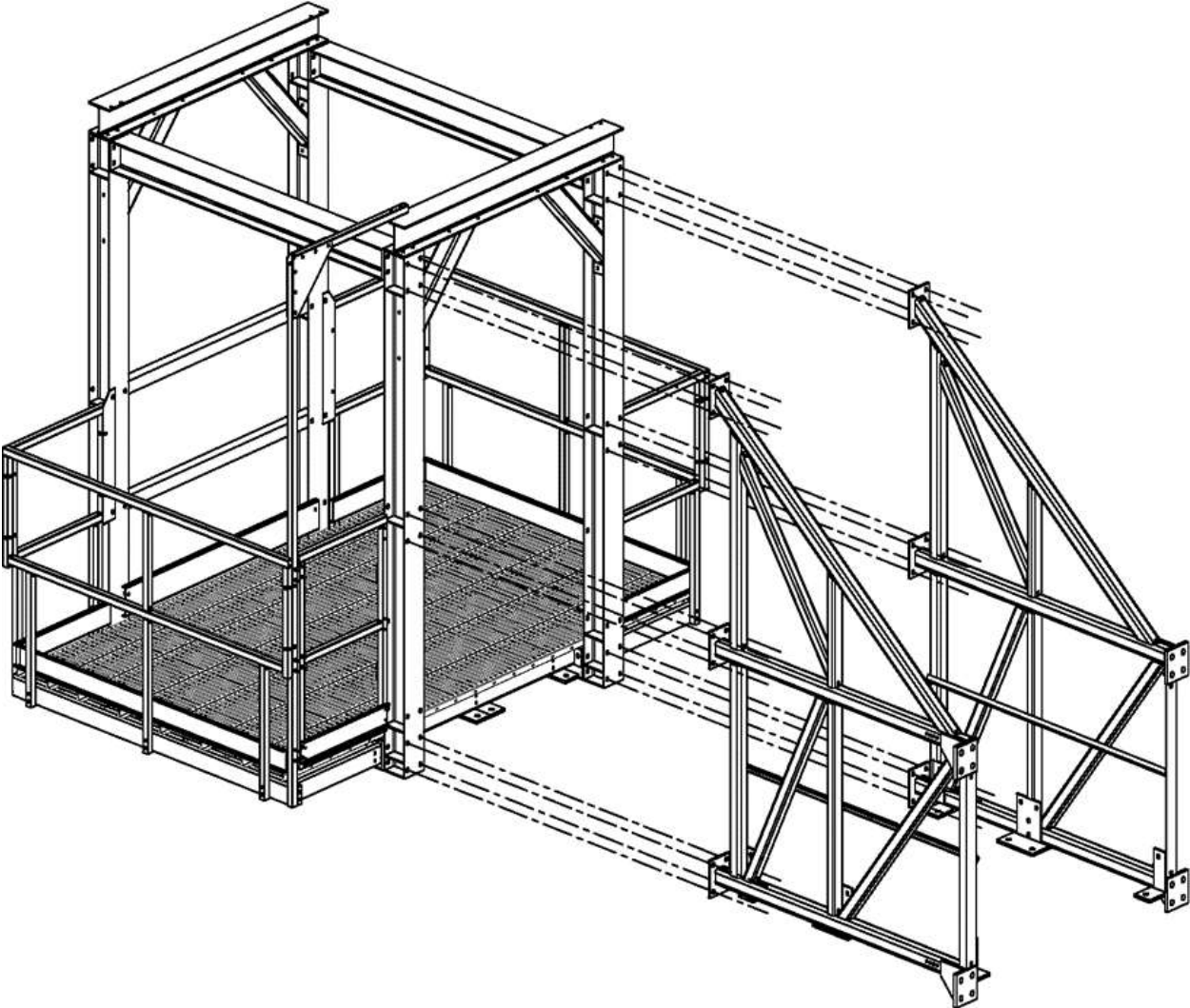
**Note:** If a gate entrance is not required, field drill the column flange and securely bolt the gate closed as shown.



**Note:** Each walk around system consists of (3) end enclosures and (1) gate. The gate can be located in multiple locations as shown in the following illustration.



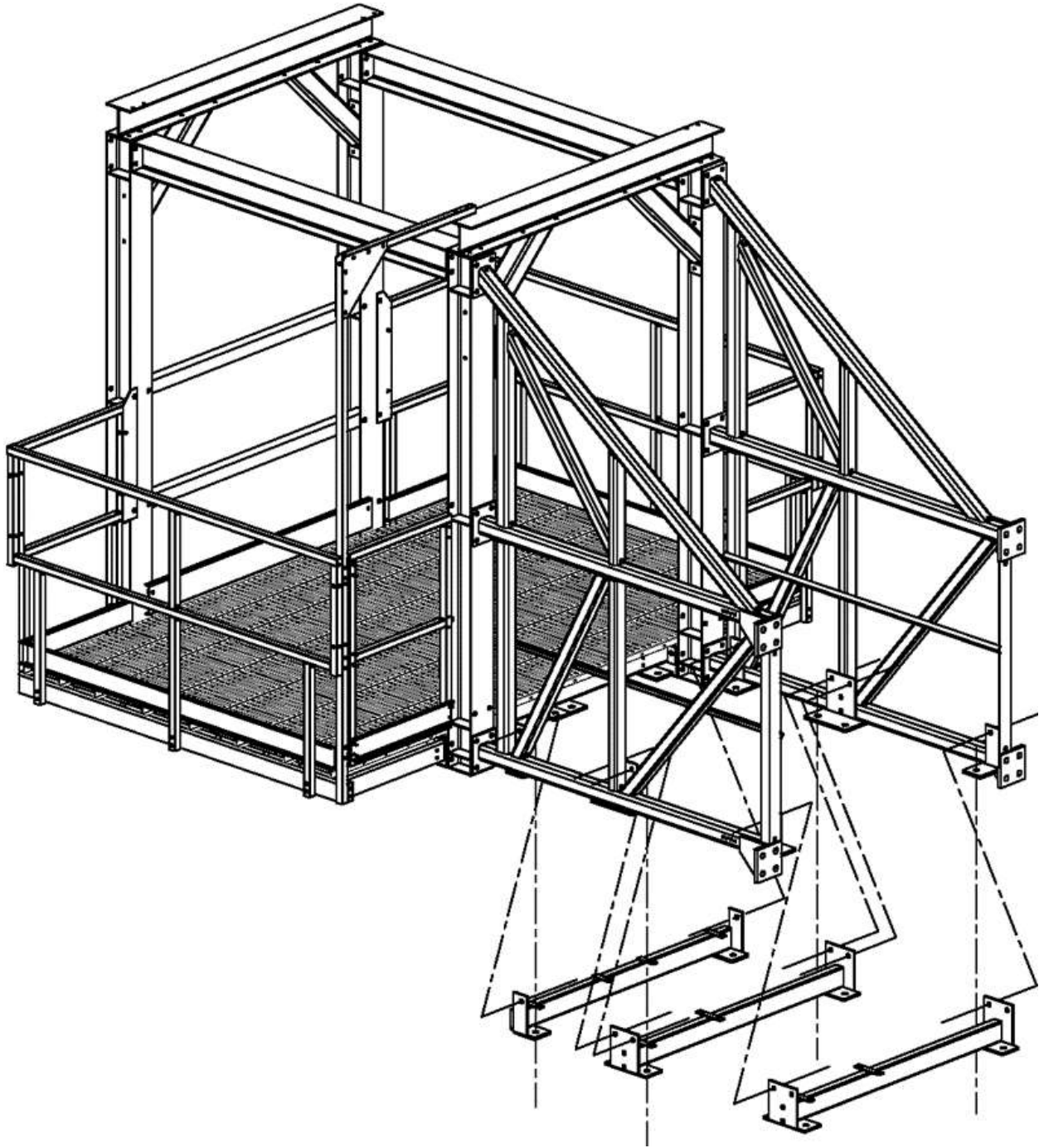
Attach each side truss to the vertical columns using 3/4" x 2" bolts.



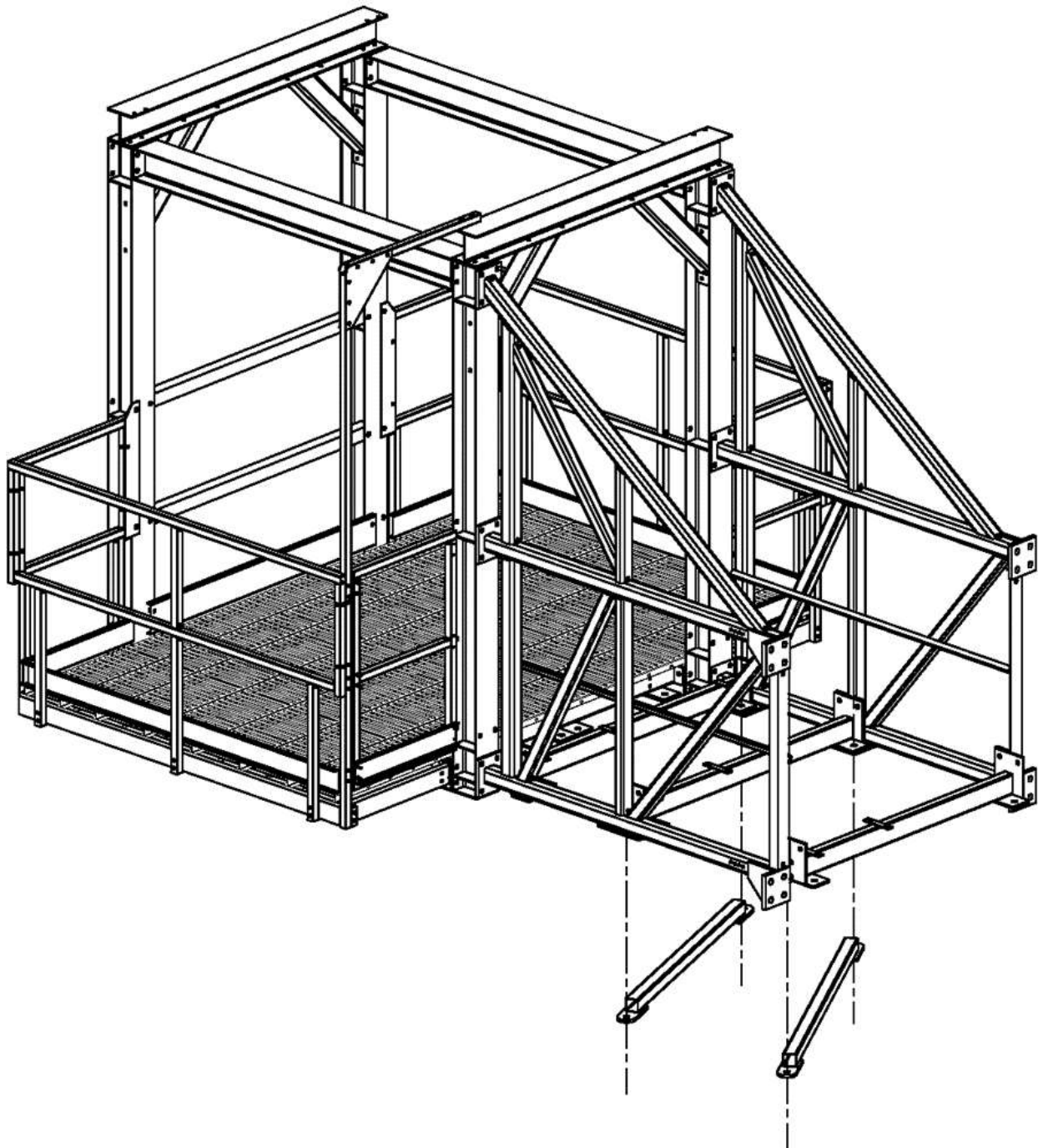


On the end of the truss sides attached to the vertical beam, attach the terminating end member to the bottom of the truss sides with 3/4" x 2" bolts. In the middle of the truss sides, attach the cross brace to the bottom of the truss sides with 3/4" x 2" bolts. On the end of the truss sides attached to the catwalk, attach the standard cross brace to the bottom of the truss sides with 3/4" x 2" bolts.

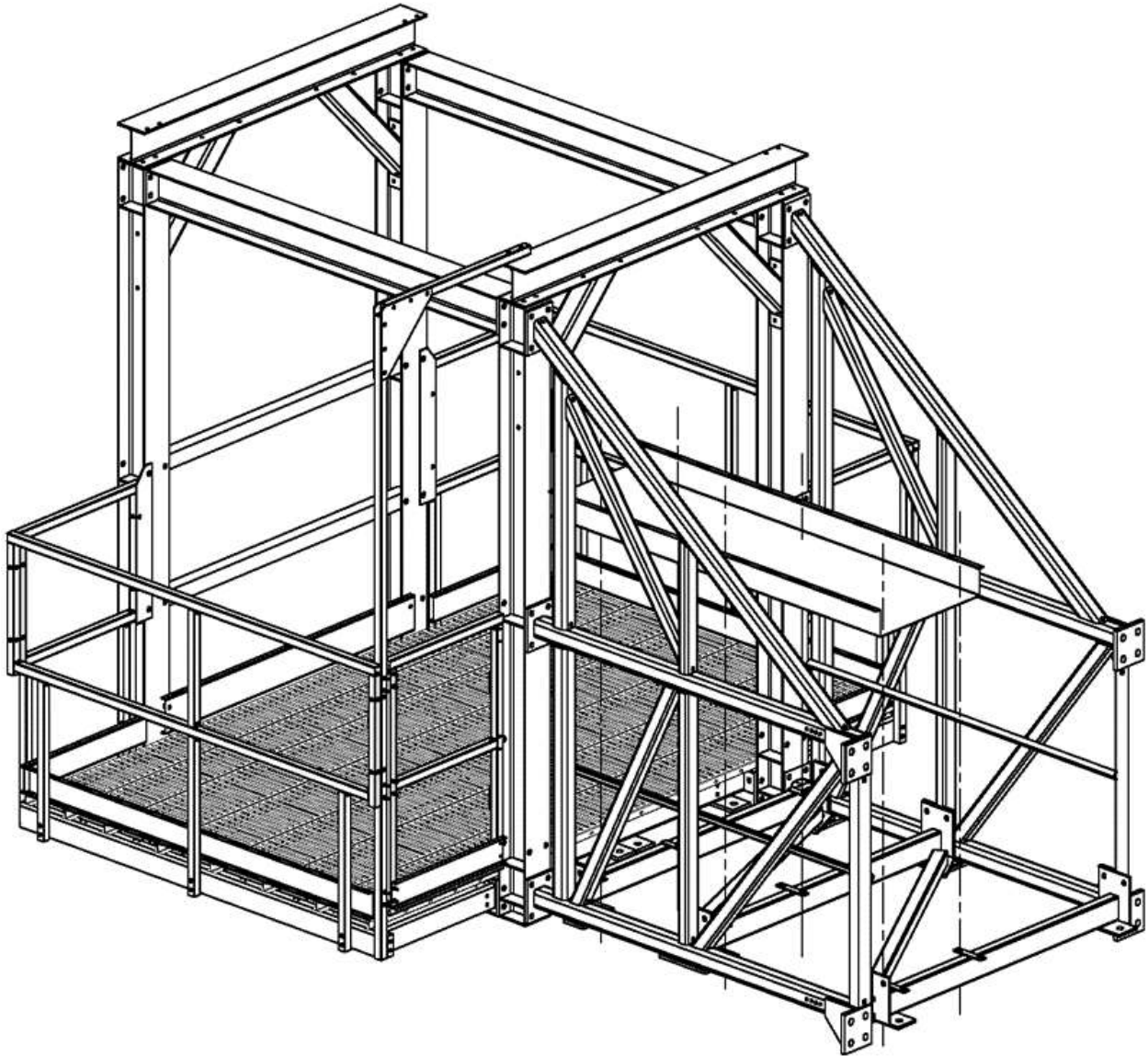
**Note:** Verify that the walkway tabs are located on the desired walkway side.



Install wind diagonals on the cross/end braces using 3/4" x 2-1/2" bolts. The attachment of the wind diagonals will align with the bottom side of the attachment plate on the cross/end braces.



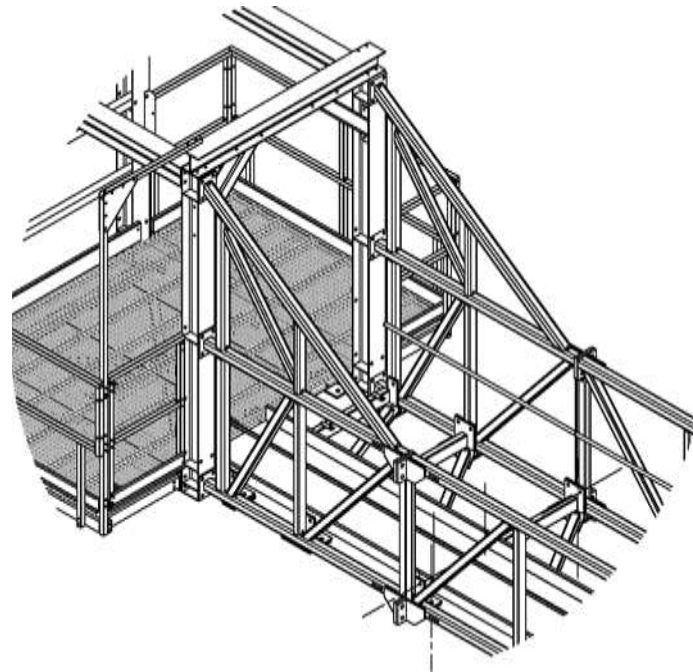
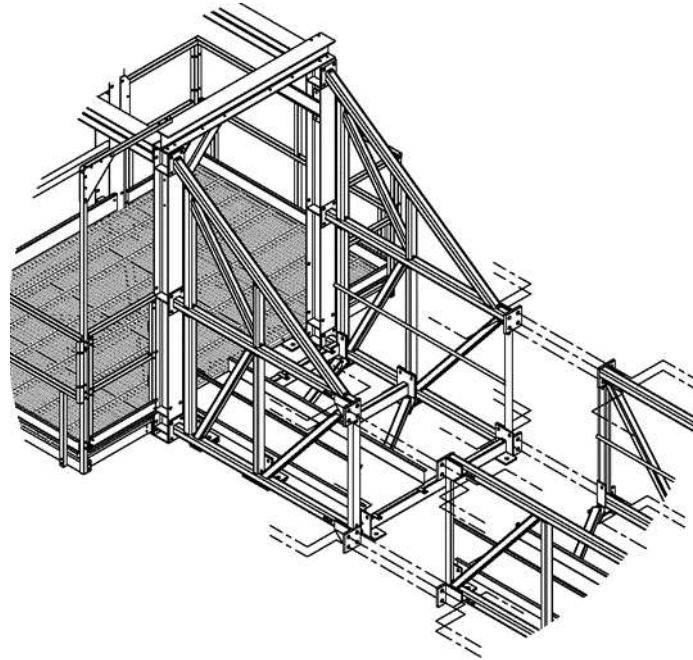
Install the walkway on the slotted tabs located on the cross/end braces using 5/16" x 1-1/2" carriage bolts with diamond washers and whiz flange nuts.





### Connect Catwalk Sections

Attach the end of the standard catwalk to the catwalk walk around truss sides. These connections will require  $3/4'' \times 2''$  bolts. Attach the cross brace using  $3/4'' \times 2''$  5 bolts and attach the diagonal bracing to the truss sides using  $3/4'' \times 2-1/2''$  bolts. The walkway connection will require  $5/16'' \times 1-1/2''$  carriage bolts with diamond washers and whiz flange nuts.





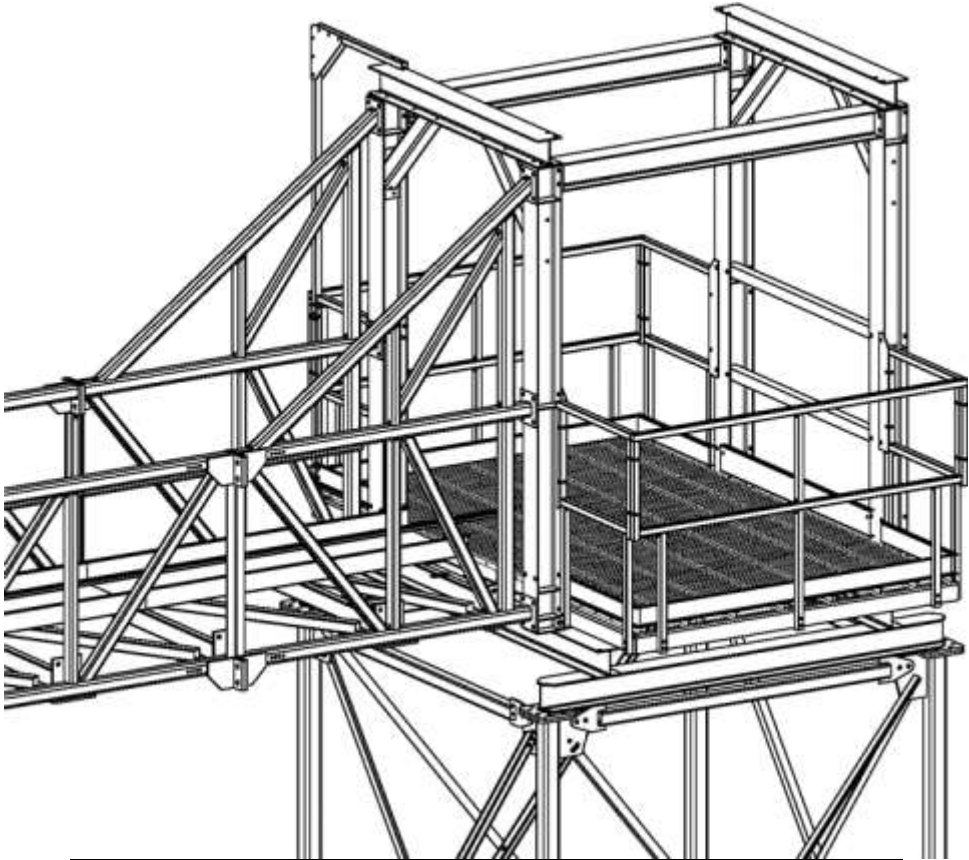
**Tower Mounting**

If walk around section is installed within 10' of a tower support or bin peak support point, then the walk around section must be supported on (2) catwalk support beams attached directly to tower top load beams.

After the support tower structure has been assembled and secured in place the walk around system can be installed. The support tower must be designed to support the top load of the conveyor, catwalk and walk around system.

**Note:** Do not drill into or cut any part of the catwalk or walk around system when mounting to the tower or when fitting the conveyor discharge or drive unit. When mounting the conveyor discharge or drive unit only the walkway planking can be cut.

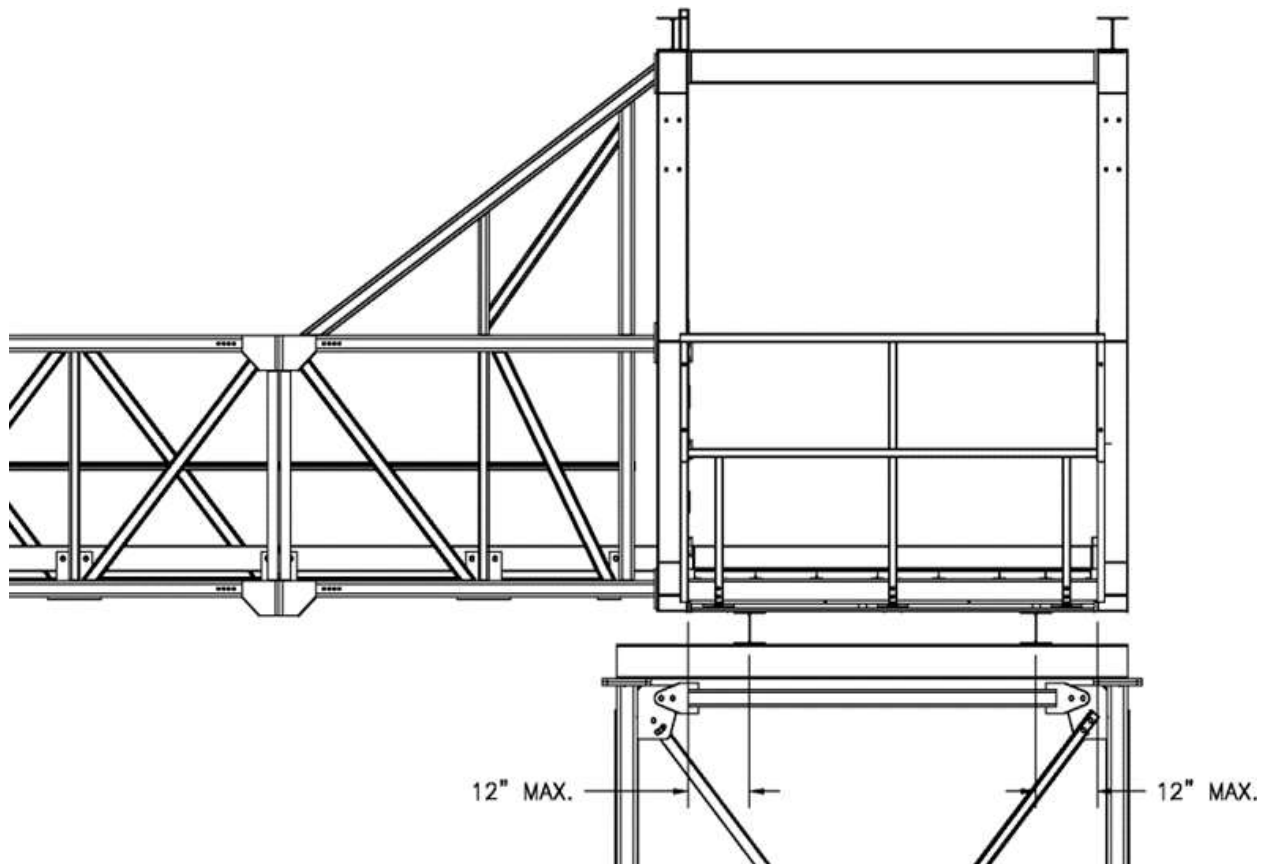
The catwalk support beams and tower top load beams can be field fabricated by millwright or purchased separately from Chief. Recommended support beam recommended size is shown in the following chart.



Tower Size	Beam Size
4' (1.21m)	W6X20
6' (1.82m)	W6X20
8' (2.43m)	W6X20
10' (3.04m)	W8X24
12' (3.65m)	W8X31
14' (4.26m)	W10X33
16' (4.87m)	W10X39

1. Lift the assembled catwalk into place using rigging with appropriate support for the catwalk as specified previously.
2. Locate the catwalk as desired over the catwalk support system.
3. Install support beams to the walk around bottom beams.
  - a. Verify the support beams span two bottom walk around beams.
  - b. Verify the support beams are contacting the bottom walk around beams only and are **not** supported by or welded to any other bracing.
  - c. Support beams must be fully welded at all contact points with 1/4" (.63cm) fillet weld.
4. Install the tower top load beams across the tower posts as shown.
  - a. Verify the tower top load beams span 2 tower posts.
5. Install the walk around support beams to the tower top load beams.
  - a. Verify the walk around support beams are **not** welded directly to the tower horizontal bracing or are supported by any other tower bracing. Walk around support beams must contact the tower top load beams only.
  - b. Support beams must be fully welded at all contact points with 1/4" (.63cm) fillet weld.

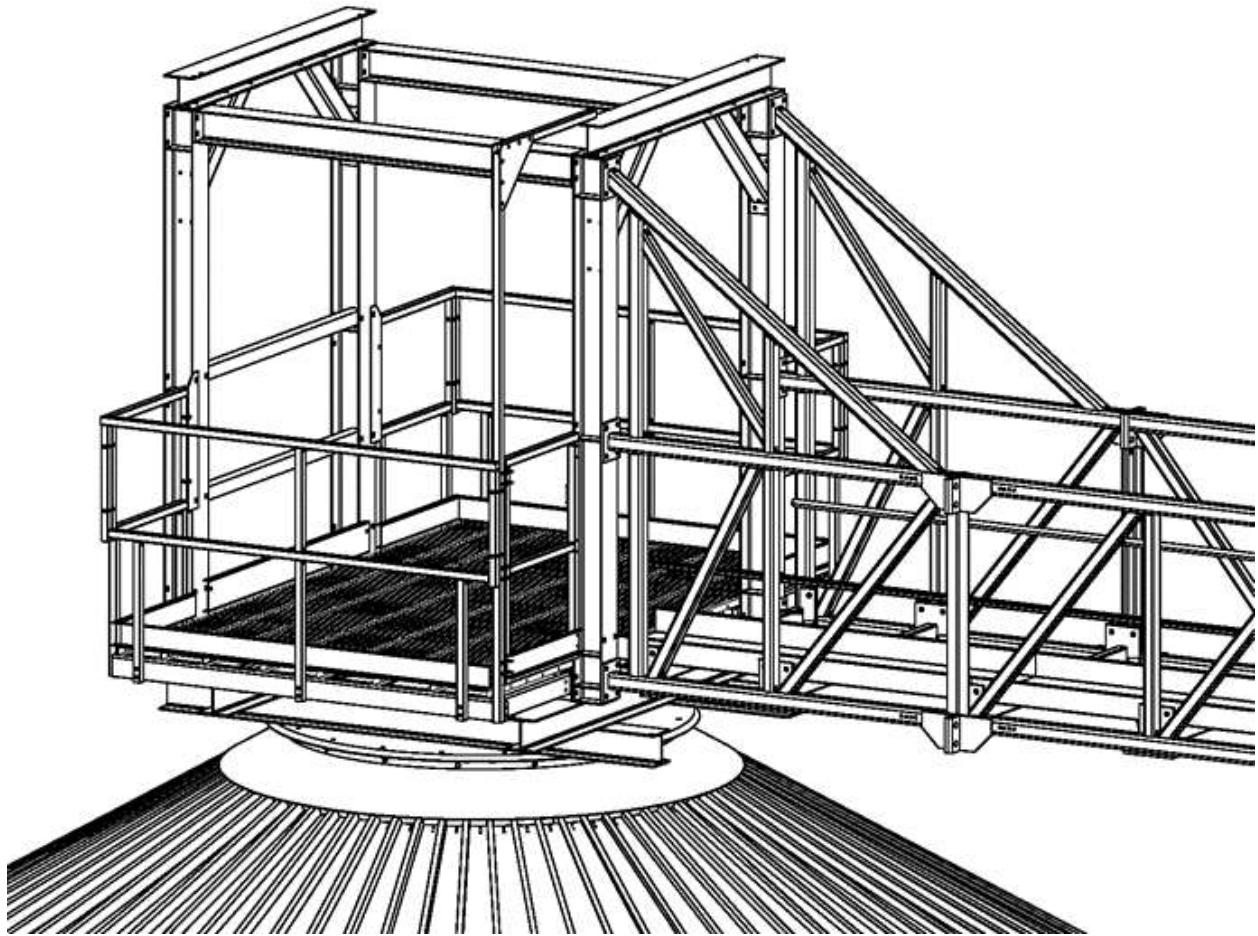
**Note:** Failure to support the walk around as shown may result in structural failure.



### Bin Peak Mounting

All catwalk and walk around systems must be adequately supported before installation on a bin peak. After the bin peak structure has been assembled and secured in place the walk around can be installed.

**Note:** Do not drill into or cut any part of the catwalk or walk around system when mounting to the bin peak or when fitting the conveyor discharge or drive unit. When mounting the conveyor discharge or drive unit only the walkway planking can be cut.



Position base support load beams on the bin peak, parallel to the overall length of the catwalk. Fully weld at all contact points with 1/4" fillet weld.

**Note:** Verify the beams are located directly above the peak structure under the peak lid.



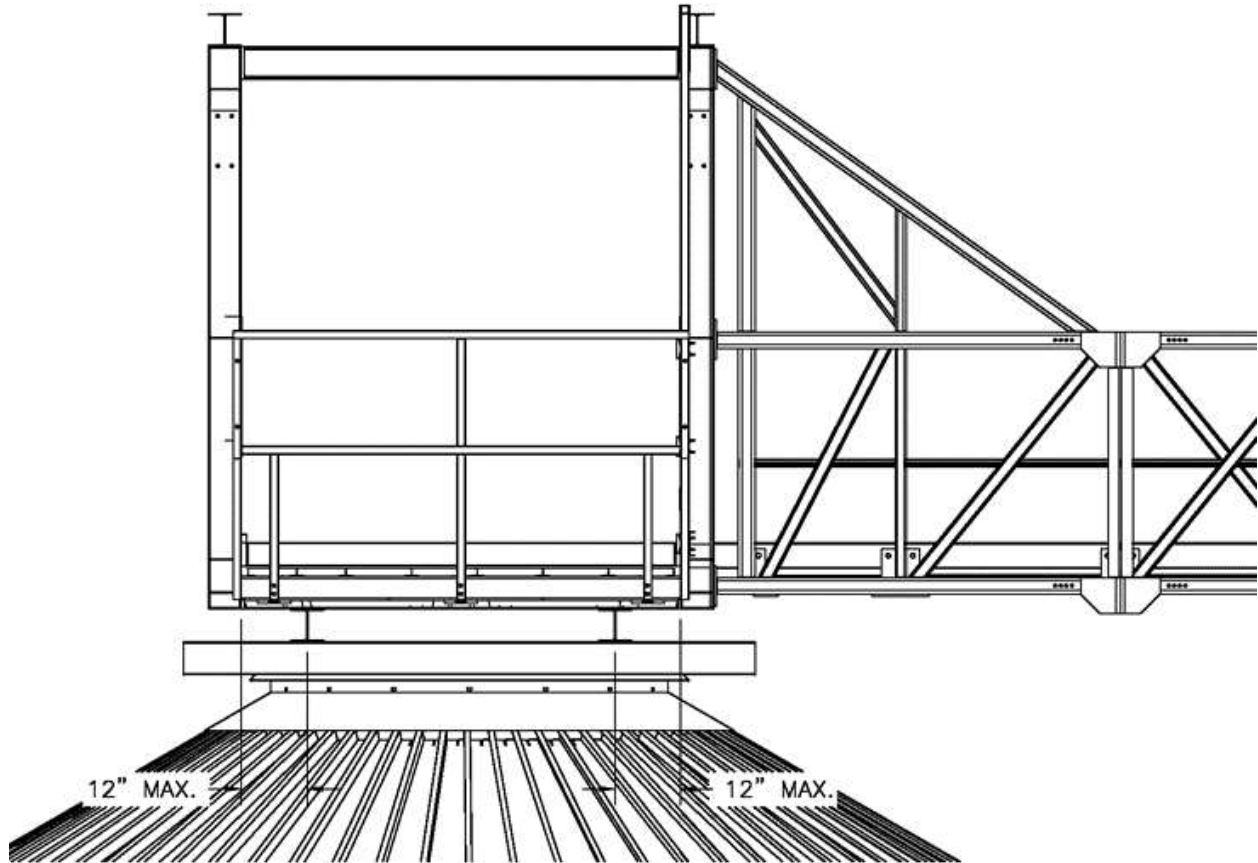
Position intermediate support beams perpendicular to the base support beams. These beams will be perpendicular to the installed walk around and catwalk. **Note:** Verify the height position underneath the catwalk walk around is correct and adjust any peak support posts as required to maintain correct height.

Fully weld support beams at all contact points with 1/4" (.63cm) fillet weld.



Locate the walk around over the support beams. Verify the support beams span two bottom walk around beams. Verify the support beams are contacting the bottom walk around beams only and are **not** supported by or welded to any other bracing. Support beams must be fully welded at all contact points with 1/4" (.63cm) fillet weld.

**Note:** Failure to support the walk around as shown may result in structural failure.



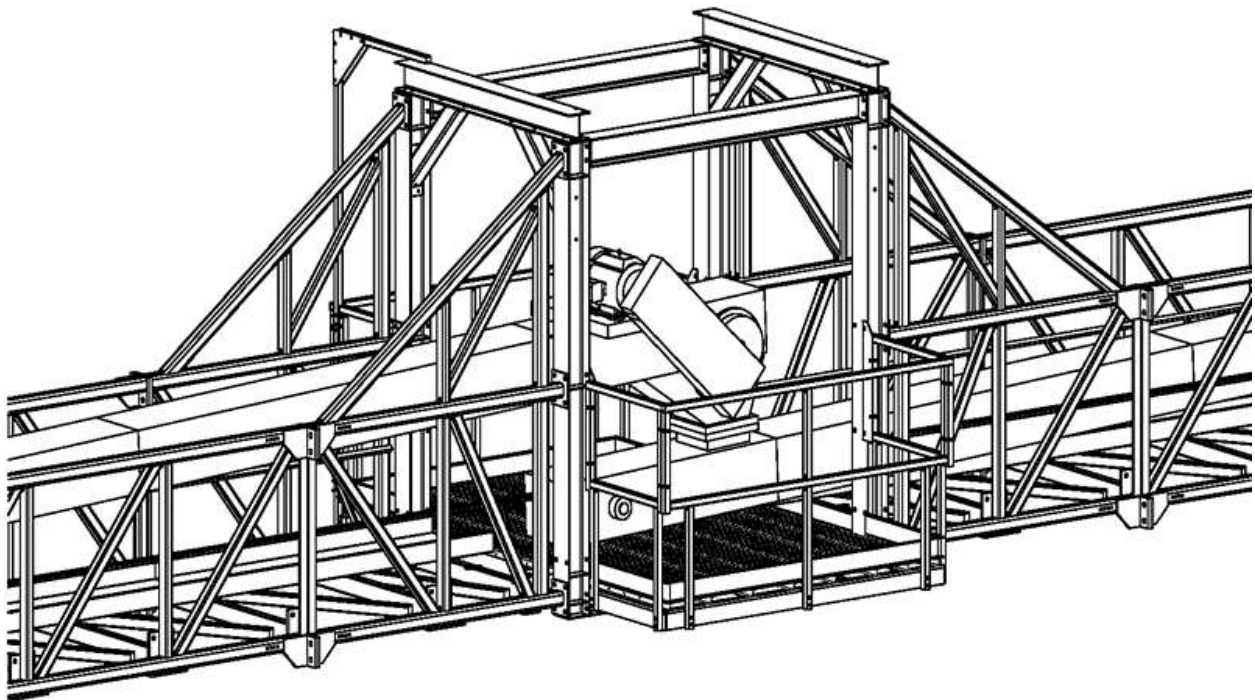


## Mid-span or Continuous Walk Around

The walk around system can be utilized in a mid-span or continuous condition as shown in the following illustration. If the walk around system is used in this manner, repeat the steps described previously for the following items located on opposite end of the walk around bay:

- Truss side
- Terminating end member
- Cross bracing
- Wind diagonal
- Walkway
- Catwalk section

**Note:** Verify the end safety handrails located between the walk around bay vertical columns are removed to allow passage through the completed mid-span walk around system. Verify all other safety handrails are correctly installed.



## Manual Revisions

- 10-1-2015
  - General formatting update

## STANDARD LIMITED WARRANTY

Chief Catwalk and Catwalk Products

1. **Definitions.** The following terms, when they appear in the body of this Standard Limited Warranty for Catwalk and Catwalk Products in initial capital letters shall have the meaning set forth below:
  - A. Accepted Purchase Order shall mean the Purchase Order identified below.
  - B. Chief shall mean Chief Agri/Industrial, a division of Chief Industries, Inc.
  - C. Original Owner shall mean the original owner identified below.
  - D. Product shall mean the Agri/Industrial Equipment as described in the Accepted Purchase Order.
  - E. Reseller shall mean the authorized Chief Agri/Industrial Equipment dealer identified below.
  
2. **Limited Product Warranty.** Upon and subject to the terms and conditions set forth below, Chief hereby warrants to the Reseller, and, if different, the Original Owner as follows:
  - A. All new Products delivered to the Reseller or the Original Owner by Chief pursuant to the Accepted Purchase Order will, when delivered, conform to the specifications set forth in the Accepted Purchase Order;
  - B. All new Products delivered pursuant to the Accepted Purchase Order will, in normal use and service, be free from defects in materials or workmanship; and
  - C. Upon delivery, Chief will convey good and marketable title to the Products, free and clear of any liens or encumbrances except for, where applicable, a purchase money security interest in favor of Chief.
  
3. **Duration of Warranty and Notice Requirements.** Subject to the **Exceptions, Exclusions and Limitations** set forth below, the warranties set forth in Section 2 above shall apply to all covered non-conforming conditions that are discovered within the first twenty-four (24) months following delivery of the Product to the carrier designated by the Reseller and/or the Original Owner at Chief's manufacturing facility in Kearney, Nebraska (the "Warranty Period") and are reported to the Chief as provided in Section 4 below within thirty (30) days following discovery (a "Notice Period").
  
4. **Notice Procedure.** In order to make a valid warranty claim, the Reseller and/or the Original Owner must provide Chief with a written notice of any nonconforming condition discovered during the Warranty Period within the applicable Notice Period specified in Section 3 above. Said notice must be in writing; be addressed to Chief Industries, Inc., Agri/Industrial Division, Customer Service Department, P.O. Box 848, Kearney, NE 68848; and contain the following information: (a) the Customer's name and address; (b) the Reseller's name and address; (c) the make and model of the Product in question; (d) the current location of the Product; (e) a brief description of the problem with respect to which warranty coverage is claimed; and (f) the date on which the Product was purchased.
  
5. **Exceptions and Exclusions.** Anything herein to the contrary notwithstanding, the warranties set forth in Section 2 above do **not** cover any of the following, each of which are hereby expressly excluded:
  - A. Defects that are not discovered during the applicable Warranty Period;
  - B. Defects that are not reported to the Chief Agri/Industrial Division Customer Service Department in conformity with the notice procedure set forth in Section 4 above within the applicable Notice Period specified in Section 3;
  - C. Any used or pre-owned Products;
  - D. Any Chief manufactured parts that are not furnished as a part of the Accepted Purchase Order;
  - E. Any fixtures, equipment, materials, supplies, accessories, parts or components that have been furnished by Chief but are manufactured by a third party;

F. Any Products which have been removed from the location at which they were originally installed;

G. Any defect, loss, damage, cost or expense incurred by the Reseller or the Original Owner to the extent the same arise out of, relate to or result, in whole or in part, from any one or more of the following:

- (i) Usual and customary deterioration, wear or tear resulting from normal use, service and exposure;
- (ii) Theft, vandalism, accident, war, insurrection, fire or other casualty;
- (iii) Any damage, shortages or missing parts which result during shipping or are otherwise caused by the Reseller, the Original Owner and/or any third party;
- (iv) Exposure to marine environments, including frequent or sustained salt or fresh water spray;
- (v) Exposure to corrosive, chemical, ash, smoke, fumes, or the like generated or released either within or outside of the structure on which the Product is installed, regardless of whether or not such facilities are owned or operated by the Reseller, the Original Owner or an unrelated third party;
- (vi) Exposure to or contact with animals, animal waste and/or decomposition;
- (vii) The effect or influence the Product may have on surrounding structures, including, without limitation, any loss, damage or expense caused by drifting snow;
- (viii) Any Product or portion thereof that has been altered, modified or repaired by the Reseller, the Original Owner or any third party without Chief's prior written consent;
- (ix) Any Product or portion thereof that has been attached to any adjacent structure without Chief's prior written approval;
- (x) Any Product to which any fixtures, equipment, accessories, materials, parts or components which were not provided as a part of the original Accepted Purchase Order have been attached without Chief's prior written approval;
- (xi) The failure on the part of the Reseller, the Original Owner or its or their third party contractors to satisfy the requirements of all applicable statutes, laws, ordinances rules, regulations and codes, (including zoning laws and/or building codes);
- (xii) The use of the Product for any purpose other than the purpose for which it was designed; and/or
- (xiii) The failure of the Reseller, the Original Owner and/or any third party to:
  - (a) properly handle, transport and/or store the Product or any component part thereof;
  - (b) properly select and prepare a site that is adequate for the installation and/or operation of the Product or any component part thereof;
  - (c) properly design and construct a foundation that is adequate for the installation and/or operation of the Product or any component part thereof;
  - (d) properly set up, erect, construct or install the Product and/or any component part thereof; and/or
  - (e) properly operate, use, service and/or maintain the Product and each part thereof.

6. **Resolution of Warranty Claims.** In the event any nonconforming condition is discovered within the Warranty Period and Chief is notified of a warranty claim as required by Section 4 prior to the end of the applicable Notice Period set forth in Section 3 above, Chief shall, with the full cooperation of the Reseller and the Original Owner, immediately undertake an investigation of such claim. To the extent Chief shall determine, in its reasonable discretion, that the warranty claim is covered by the foregoing Limited Product Warranty, the following shall apply:

A. Warranty Claims With Respect to Covered Non-Conforming Conditions Discovered Within the First Three Hundred Sixty Five (365) Days and Reported to Chief Within Thirty (30) Days of Discovery. In the case of a warranty claim which relates to a covered non-conforming condition that is discovered during the first three hundred sixty five (365) days of the Warranty Period and is reported to Chief as required by Section 4 within thirty (30) days of discovery as required by Section 3, Chief will, as Chief's sole and exclusive obligation to the Reseller and the Original Owner, and as their sole and exclusive remedy, work in cooperation with the Reseller and the Original Owner to correct such non-conforming condition, and in

connection therewith, Chief will ship any required replacement parts to the "ship to address" set forth in the Accepted Purchase Order FOB Chief's facilities in Kearney, Nebraska, and will either provide the labor or reimburse the Reseller or the Original Owner, as may be appropriate in the circumstances, for any out of pocket expense the Original Owner may reasonably and necessarily incur for the labor that is required to correct such non-conforming condition, provided that if work is to be performed by the Reseller or a third party contractor, Chief may require at least two competitive bids to perform the labor required to repair or correct the defect and reserves the right to reject all bids and obtain additional bids. Upon acceptance of a bid by Chief, Chief will authorize the necessary repairs.

- B. **All Other Warranty Claims.** Except as is otherwise provided in subsection 6A above, in the case of all other warranty claims which relate to covered non-conforming conditions that are discovered during the Warranty Period and are reported to Chief as required by Section 4 within thirty (30) days following discovery, Chief will, as Chief's sole and exclusive obligation to the Reseller and the Original Owner, and as the Reseller's and the Original Owner's sole and exclusive remedy, ship any required replacement parts to the Original Owner at the "ship to address" specified in the Accepted Purchase Order FOB Chief's facilities in Kearney, Nebraska; and **in such event, Chief shall have no responsibility or liability to either the Reseller or the Original Owner for the cost of any labor required to repair or correct the defect.**
7. **Warranty Not Transferable.** This Warranty applies only to the Reseller and the Original Owner and is **not transferable**. As such, this Warranty does **not** cover any Product that is sold or otherwise transferred to any third party following its delivery to the Original Owner.
8. **Limitation on Warranties, Liabilities and Damages.** The Reseller and the Original Owner expressly agree that the allocation of the risk, liability, loss, damage, cost and expense arising from any Product that does not conform to the limited warranty given in Section 2 above are fair and reasonable and acknowledge that such allocation was expressly negotiated by the parties and was reflected in the Purchase Price of the Product. Accordingly the Reseller and the Original Owner expressly agree as follows:
- A. **Disclaimer of Implied Warranties.** EXCEPT AS IS OTHERWISE EXPRESSLY SET FORTH HEREIN, CHIEF MAKES NO OTHER REPRESENTATIONS OR WARRANTIES OF ANY KIND WHATSOEVER, WHETHER EXPRESS OR IMPLIED, BY OPERATION OF LAW, COURSE OF DEALING OR OTHERWISE WITH RESPECT TO THE PRODUCT, ANY COMPONENT PART THEREOF OR ANY OTHER GOODS OR SERVICES THAT CHIEF MANUFACTURES, FABRICATES, PRODUCES, SELLS OR PROVIDES TO THE DEALER OR THE ORIGINAL OWNER PURSUANT TO THE TERMS OF ANY ACCEPTED PURCHASE ORDER, INCLUDING WITHOUT LIMITATION ANY REPRESENTATION OR WARRANTY WITH RESPECT TO DESIGN, CONDITION, MERCHANTABILITY OR FITNESS OF THE PRODUCT OR ANY OTHER GOODS OR SERVICES FOR ANY PARTICULAR PURPOSE OR USE.
- B. **Limitation on Liability.** EXCEPT AS IS OTHERWISE EXPRESSLY SET FORTH IN SECTION 6 ABOVE, CHIEF'S LIABILITY TO THE DEALER AND/OR THE ORIGINAL OWNER WITH RESPECT TO ANY DEFECTS IN ANY PRODUCTS OR FOR ANY OTHER GOODS OR SERVICES WHICH DO NOT CONFORM TO THE WARRANTIES SET FORTH ABOVE SHALL NOT, IN ANY EVENT, EXCEED THE ACTUAL COST OF SUCH NON-CONFORMING PRODUCT, GOODS OR SERVICES AS DETERMINED PURSUANT TO THE ACCEPTED PURCHASE ORDER; AND
- C. **Limitation on the Nature of Damages.** EXCEPT AS EXPRESSLY PROVIDED IN SECTION 6 ABOVE, CHIEF SHALL NOT, UNDER ANY CIRCUMSTANCES, BE LIABLE TO THE DEALER, THE ORIGINAL OWNER OR ANY THIRD PARTY FOR ATTORNEY FEES COURT COSTS OR ANY OTHER SPECIAL, INDIRECT, INCIDENTAL, CONSEQUENTIAL, LIQUIDATED OR PUNITIVE DAMAGES OF ANY NAME, NATURE OR DESCRIPTION AS A RESULT OF THE FAILURE OF ANY PRODUCT OR ANY OTHER GOODS OR SERVICES PURCHASED BY THE DEALER OR THE ORIGINAL OWNER FROM CHIEF PURSUANT TO THE ACCEPTED PURCHASE ORDER TO CONFORM TO THE LIMITED WARRANTIES SET FORTH IN SECTION 2 ABOVE.

8. **Applicable Law.** This Limited Product Warranty has been issued, accepted and entered into by the Reseller, the Original Owner and Chief in the State of Nebraska and shall be governed by, and construed in accordance with, the internal laws of the State of Nebraska. Any legal action or proceeding with respect to any goods or services furnished to the Original Owner by Chief in connection herewith, or any document related hereto shall be brought only in the district courts of Nebraska, or the United States District Court for the District of Nebraska, and, by execution and delivery of this Limited Product Warranty, the undersigned Original Owner hereby accept for themselves and with respect to their property, generally and unconditionally, the jurisdiction of the aforesaid courts. Further, the undersigned Original Owner hereby irrevocably waives any objection, including, without limitation, any forum non conveniens, which it may now or hereafter have to the bringing of such action or proceeding in such respective jurisdictions.

**ACKNOWLEDGMENT OF RECEIPT**

**By its signature hereto, the undersigned Reseller represents and warrants to Chief that the Reseller has provided a true, correct and complete copy of this Standard Limited Warranty to the Original Owner at the time the product was purchased.**

**Reseller Name and Address:** \_\_\_\_\_  
\_\_\_\_\_

**Original Owner Name and Address:** \_\_\_\_\_  
\_\_\_\_\_

**Accepted Purchase Order No.** \_\_\_\_\_

**Original Jobsite Address:** \_\_\_\_\_  
\_\_\_\_\_

**RESELLER:**

**By:** \_\_\_\_\_  
**Date**

**Print name and title**

**4842-7507-8689, v. 1**





Should you have any questions concerning assembly instructions, parts or drawings, please feel free to contact us at any of the following.

© Chief Industries, Inc. Inc.  
4400 East 39<sup>th</sup> Street • PO Box 848  
Kearney, NE 68847  
Phone 800.359.7600

For more information about Chief Industries, Inc. and additional products or services visit our website  
[www.agri.Chiefind.com](http://www.agri.Chiefind.com)