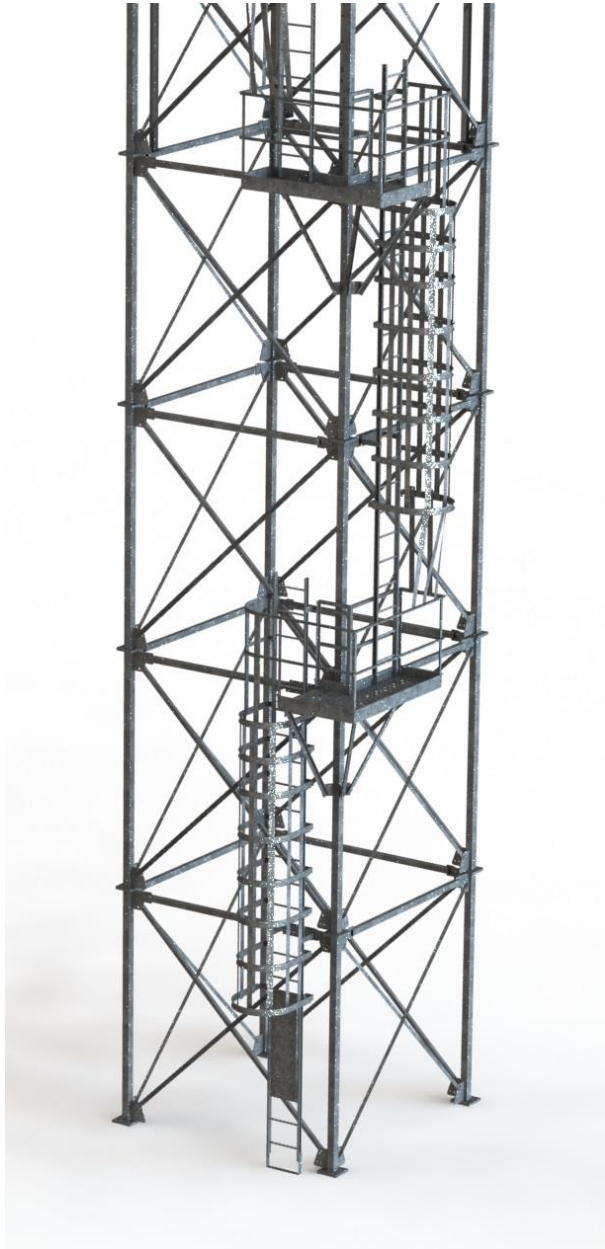


TOWER SAFETY LADDER / CAGE



INSTALLATION MANUAL

P/N 9623192

CHIEF 

Trusted. Tested. True.

Chief Industries, Inc. – Agri/Industrial Division

Table of Contents

Manual Revisions	3
Standard Limited Warranty	4
Before You Begin	10
General Design Information.....	11
Accessory Equipment.....	12
General Contractor Responsibilities	12
Field Modifications and Installation Defects	12
Checking Shipment.....	12
Suggested Equipment.....	13
Hardware Torque	14
Installation	15
Platform Components	15
Ladder and Cage Components	16
Corner Platform Installation.....	17
Single Face Platform Installation.....	24
Single Face Walk Thru Platform Installation.....	30
Safety Cage Installation	38
Ladder Installation Layout	41
Interior Platform Entrance	42

Manual Revisions

- 1-1-2016
 - General formatting update

© Chief Industries, Inc.
4400 East 39th Street • PO Box 848
Kearney, NE 68847
Phone 800.359.7600

For more information about Chief Industries, Inc. and additional products or services please visit our website

www.agri.Chiefind.com

STANDARD LIMITED WARRANTY

Catwalk and Tower Products

1. **Definitions.** The following terms, when they appear in the body of this Standard Limited Warranty for Catwalk and Tower Products in initial capital letters shall have the meaning set forth below:
 - A. Accepted Purchase Order shall mean the Purchase Order identified below.
 - B. Chief shall mean Chief Agri/Industrial, a division of Chief Industries, Inc.
 - C. Original Owner shall mean the original owner identified below.
 - D. Product shall mean the Agri/Industrial Equipment as described in the Accepted Purchase Order.
 - E. Reseller shall mean the authorized Chief Agri/Industrial Equipment dealer identified below.
2. **Limited Product Warranty.** Upon and subject to the terms and conditions set forth below, Chief hereby warrants to the Reseller, and, if different, the Original Owner as follows:
 - A. All new Products delivered to the Reseller or the Original Owner by Chief pursuant to the Accepted Purchase Order will, when delivered, conform to the specifications set forth in the Accepted Purchase Order;
 - B. All new Products delivered pursuant to the Accepted Purchase Order will, in normal use and service, be free from defects in materials or workmanship; and
 - C. Upon delivery, Chief will convey good and marketable title to the Products, free and clear of any liens or encumbrances except for, where applicable, a purchase money security interest in favor of Chief.
3. **Duration of Warranty and Notice Requirements.** Subject to the **Exceptions, Exclusions and Limitations** set forth below, the warranties set forth in Section 2 above shall apply to all covered non-conforming conditions that are discovered within the first twenty-four (24) months following delivery of the Product to the carrier designated by the Reseller and/or the Original Owner at Chief's manufacturing facility in Kearney, Nebraska (the "Warranty Period") and are reported to the Chief as provided in Section 4 below within thirty (30) days following discovery (a "Notice Period").
4. **Notice Procedure.** In order to make a valid warranty claim, the Reseller and/or the Original Owner must provide Chief with a written notice of any nonconforming condition discovered during the Warranty Period within the applicable Notice Period specified in Section 3 above. Said notice must be in writing; be addressed to Chief Industries, Inc., Agri/Industrial Division, Customer Service Department, P.O. Box 848, Kearney, NE 68848; and contain the following information: (a) the Customer's name and address; (b) the Reseller's name and address; (c) the make and model of the Product in question; (d) the current location of the Product; (e) a brief description of the problem with respect to which warranty coverage is claimed; and (f) the date on which the Product was purchased.

5. **Exceptions and Exclusions.** Anything herein to the contrary notwithstanding, the warranties set forth in Section 2 above do **not** cover any of the following, each of which are hereby expressly excluded:
- A. Defects that are not discovered during the applicable Warranty Period;
 - B. Defects that are not reported to the Chief Agri/Industrial Division Customer Service Department in conformity with the notice procedure set forth in Section 4 above within the applicable Notice Period specified in Section 3;
 - C. Any used or pre-owned Products;
 - D. Any Chief manufactured parts that are not furnished as a part of the Accepted Purchase Order;
 - E. Any fixtures, equipment, materials, supplies, accessories, parts or components that have been furnished by Chief but are manufactured by a third party;
 - F. Any Products which have been removed from the location at which they were originally installed;
 - G. Any defect, loss, damage, cost or expense incurred by the Reseller or the Original Owner to the extent the same arise out of, relate to or result, in whole or in part, from any one or more of the following:
 - (i) Usual and customary deterioration, wear or tear resulting from normal use, service and exposure;
 - (ii) Theft, vandalism, accident, war, insurrection, fire or other casualty;
 - (iii) Any damage, shortages or missing parts which result during shipping or are otherwise caused by the Reseller, the Original Owner and/or any third party;
 - (iv) Exposure to marine environments, including frequent or sustained salt or fresh water spray;
 - (v) Exposure to corrosive, chemical, ash, smoke, fumes, or the like generated or released either within or outside of the structure on which the Product is installed, regardless of whether or not such facilities are owned or operated by the Reseller, the Original Owner or an unrelated third party;
 - (vi) Exposure to or contact with animals, animal waste and/or decomposition;
 - (vii) The effect or influence the Product may have on surrounding structures, including, without limitation, any loss, damage or expense caused by drifting snow;
 - (viii) Any Product or portion thereof that has been altered, modified or repaired by the Reseller, the Original Owner or any third party without Chief's prior written consent;
 - (ix) Any Product or portion thereof that has been attached to any adjacent structure without Chief's prior written approval;
 - (x) Any Product to which any fixtures, equipment, accessories, materials, parts or components which were not provided as a part of the original Accepted Purchase Order have been attached without Chief's prior written approval;

- (xi) The failure on the part of the Reseller, the Original Owner or its or their third party contractors to satisfy the requirements of all applicable statutes, laws, ordinances rules, regulations and codes, (including zoning laws and/or building codes);
- (xii) The use of the Product for any purpose other than the purpose for which it was designed; and/or
- (xiii) The failure of the Reseller, the Original Owner and/or any third party to:
 - (a) properly handle, transport and/or store the Product or any component part thereof;
 - (b) properly select and prepare a site that is adequate for the installation and/or operation of the Product or any component part thereof;
 - (c) properly design and construct a foundation that is adequate for the installation and/or operation of the Product or any component part thereof;
 - (d) properly set up, erect, construct or install the Product and/or any component part thereof; and/or
 - (e) properly operate, use, service and/or maintain the Product and each component part thereof.

6. **Resolution of Warranty Claims.** In the event any nonconforming condition is discovered within the Warranty Period and Chief is notified of a warranty claim as required by Section 4 prior to the end of the applicable Notice Period set forth in Section 3 above, Chief shall, with the full cooperation of the Reseller and the Original Owner, immediately undertake an investigation of such claim. To the extent Chief shall determine, in its reasonable discretion, that the warranty claim is covered by the foregoing Limited Product Warranty, the following shall apply:

- A. Warranty Claims With Respect to Covered Non-Conforming Conditions Discovered Within the First Three Hundred Sixty Five (365) Days and Reported to Chief Within Thirty (30) Days of Discovery. In the case of a warranty claim which relates to a covered non-conforming condition that is discovered during the first three hundred sixty five (365) days of the Warranty Period and is reported to Chief as required by Section 4 within thirty (30) days of discovery as required by Section 3, Chief will, as Chief's sole and exclusive obligation to the Reseller and the Original Owner, and as their sole and exclusive remedy, work in cooperation with the Reseller and the Original Owner to correct such non-conforming condition, and in connection therewith, Chief will ship any required replacement parts to the "ship to address" set forth in the Accepted Purchase Order FOB Chief's facilities in Kearney, Nebraska, and will either provide the labor or reimburse the Reseller or the Original Owner, as may be appropriate in the circumstances, for any out of pocket expense the Original Owner may reasonably and necessarily incur for the labor that is required to correct such non-conforming condition, provided that if work is to be performed by the Reseller or a third party contractor, Chief may require at least two competitive bids to perform the labor required to repair or correct the defect and reserves the right to reject all bids and obtain additional bids. Upon acceptance of a bid by Chief, Chief will authorize the necessary repairs.

- B. All Other Warranty Claims. Except as is otherwise provided in subsection 6A above, in the case of all other warranty claims which relate to covered non-conforming conditions that are discovered during the Warranty Period and are reported to Chief as required by Section 4 within thirty (30) days following discovery, Chief will, as Chief's sole and exclusive obligation to the Reseller and the Original Owner, and as the Reseller's and the Original Owner's sole and exclusive remedy, ship any required replacement parts to the Original Owner at the "ship to address" specified in the Accepted Purchase Order FOB Chief's facilities in Kearney, Nebraska; and in such event, Chief shall have no responsibility or liability to either the Reseller or the Original Owner for the cost of any labor required to repair or correct the defect.
7. Warranty Not Transferable. This Warranty applies only to the Reseller and the Original Owner and is not transferable. As such, this Warranty does not cover any Product that is sold or otherwise transferred to any third party following its delivery to the Original Owner.
8. Limitation on Warranties, Liabilities and Damages. The Reseller and the Original Owner expressly agree that the allocation of the risk, liability, loss, damage, cost and expense arising from any Product that does not conform to the limited warranty given in Section 2 above are fair and reasonable and acknowledge that such allocation was expressly negotiated by the parties and was reflected in the Purchase Price of the Product. Accordingly the Reseller and the Original Owner expressly agree as follows:
- A. Disclaimer of Implied Warranties. **EXCEPT AS IS OTHERWISE EXPRESSLY SET FORTH HEREIN, CHIEF MAKES NO OTHER REPRESENTATIONS OR WARRANTIES OF ANY KIND WHATSOEVER, WHETHER EXPRESS OR IMPLIED, BY OPERATION OF LAW, COURSE OF DEALING OR OTHERWISE WITH RESPECT TO THE PRODUCT, ANY COMPONENT PART THEREOF OR ANY OTHER GOODS OR SERVICES THAT CHIEF MANUFACTURES, FABRICATES, PRODUCES, SELLS OR PROVIDES TO THE DEALER OR THE ORIGINAL OWNER PURSUANT TO THE TERMS OF ANY ACCEPTED PURCHASE ORDER, INCLUDING WITHOUT LIMITATION ANY REPRESENTATION OR WARRANTY WITH RESPECT TO DESIGN, CONDITION, MERCHANTABILITY OR FITNESS OF THE PRODUCT OR ANY OTHER GOODS OR SERVICES FOR ANY PARTICULAR PURPOSE OR USE.**
- B. Limitation on Liability. **EXCEPT AS IS OTHERWISE EXPRESSLY SET FORTH IN SECTION 6 ABOVE, CHIEF'S LIABILITY TO THE DEALER AND/OR THE ORIGINAL OWNER WITH RESPECT TO ANY DEFECTS IN ANY PRODUCTS OR FOR ANY OTHER GOODS OR SERVICES WHICH DO NOT CONFORM TO THE WARRANTIES SET FORTH ABOVE SHALL NOT, IN ANY EVENT, EXCEED THE ACTUAL COST OF SUCH NON-CONFORMING PRODUCT, GOODS OR SERVICES AS DETERMINED PURSUANT TO THE ACCEPTED PURCHASE ORDER; AND**
- C. Limitation on the Nature of Damages. **EXCEPT AS EXPRESSLY PROVIDED IN SECTION 6 ABOVE, CHIEF SHALL NOT, UNDER ANY CIRCUMSTANCES, BE LIABLE TO THE DEALER, THE ORIGINAL OWNER OR ANY THIRD PARTY FOR ATTORNEY FEES COURT COSTS OR ANY OTHER SPECIAL, INDIRECT, INCIDENTAL, CONSEQUENTIAL, LIQUIDATED OR PUNITIVE DAMAGES OF ANY NAME, NATURE OR DESCRIPTION AS A RESULT OF THE FAILURE OF ANY PRODUCT OR ANY OTHER GOODS OR SERVICES PURCHASED BY THE DEALER OR THE ORIGINAL OWNER FROM CHIEF PURSUANT TO THE**

ACCEPTED PURCHASE ORDER TO CONFORM TO THE LIMITED WARRANTIES SET FORTH IN SECTION 2 ABOVE.

8. **Applicable Law.** This Limited Product Warranty has been issued, accepted and entered into by the Reseller, the Original Owner and Chief in the State of Nebraska and shall be governed by, and construed in accordance with, the internal laws of the State of Nebraska. Any legal action or proceeding with respect to any goods or services furnished to the Original Owner by Chief in connection herewith, or any document related hereto shall be brought only in the district courts of Nebraska, or the United States District Court for the District of Nebraska, and, by execution and delivery of this Limited Product Warranty, the undersigned Original Owner hereby accept for themselves and with respect to their property, generally and unconditionally, the jurisdiction of the aforesaid courts. Further, the undersigned Original Owner hereby irrevocably waives any objection, including, without limitation, any forum non conveniens, which it may now or hereafter have to the bringing of such action or proceeding in such respective jurisdictions.

ACKNOWLEDGMENT OF RECEIPT

By its signature hereto, the undersigned Reseller represents and warrants to Chief that the Reseller has provided a true, correct and complete copy of this Standard Limited Warranty to the Original Owner at the time the product was purchased.

Reseller Name and Address: _____

Original Owner Name and Address: _____

Accepted Purchase Order No. _____

Original Jobsite Address: _____

RESELLER:

By: _____
Date

Print name and title

4842-7507-8689, v. 1

Warning

Water Sensitive Materials - Read this notice carefully

Bundles must be inspected and carrier advised immediately if damage is noted. White rust is a corrosion attack of the zinc coating resulting from the presence of water. Anywhere rust is found will result in a reduction of the life of the galvanized steel.

If water has entered a bundle or if condensation has formed between items, the bundle must be opened, the items separated and all surfaces dried.

If items are to be installed within 10 days:

Store bundled items off the ground high enough to allow air circulation beneath bundle and to prevent water from entering. Store 1 end at least 8" (20.32cm) higher than the opposite end. Support long bundles in the center. Prevent rain from entering the bundle by covering with a tarpaulin, making provision for air circulation between the draped edges and the ground.

Do not wrap in plastic.

If items are not to be installed within 10 days:

Provide inside dry storage. Storage beyond 6 months is not recommended. If white rust is apparent upon receipt of shipment, notify Chief immediately. Damage to items, resulting from improper storage, is the responsibility of the receiver.



Before You Begin

Before starting the installation of the equipment, take time to thoroughly study the construction methods in this manual, this will save you time and money.

Chief makes no warranty concerning components, accessories or equipment not manufactured by Chief.

When using a cutting torch or welding galvanized material, the possibility of developing toxic fumes will exist. Provide adequate ventilation and respiratory protection when using this type of equipment during installation.

Introduction

Thank you for purchasing Chief equipment. Proper installation and operation will ensure you the best overall experience with your equipment and guarantee smooth operation.

This proprietary information is loaned with the expressed agreement that the drawings and information therein contained are the property of Chief Industries, Inc. and will not be reproduced, copied, or otherwise disposed of, directly or indirectly, and will not be used in whole or in part to assist in making or to furnish any information for the making of drawings, prints or other reproduction hereof, or for the making of additional products or equipment except upon written permission of Chief Industries, Inc. first obtained and specific as to each case. The acceptance of this material will be construed as an acceptance of the foregoing agreement.

The technical data contained herein is the most recent available at the time of publication and is subject to modification without notice. Chief Industries, Inc. reserves the right to modify the construction and method of operation of their products at any time without any obligation on their part to modify any equipment previously sold and delivered.

General Design Information

All Chief tower ladder and cage is designed for structural support of personnel.

All steel materials are purchased in accordance with the applicable ASTM Standard.

All bolted connections are designed using high strength bolts which meet the specifications of the applicable ASTM or SAE standard.

Accessory Equipment

All accessory equipment should be installed and maintained in accordance with each individual supplier's installation and operation instructions. However, if any modifications to the Chief standard design are required, contact Chief for special recommendations.

Important Note: Do not modify equipment without Chief approval. It is the responsibility of the general contractor to verify that all equipment is properly installed and that the equipment is compatible with the intended use. A qualified electrician should be contracted to complete all electrical wiring and servicing.

General Contractor Responsibilities

It is the responsibility of the general contractor to verify that the complete support system and other accessory equipment is constructed with quality workmanship and that all equipment is installed per the respective manufacturer's instructions.

In addition, the general contractor is responsible for the fitness of use of any system which he constructs. All accessory equipment incorporated into the system should be approved for the intended use by each respective equipment manufacturer.

Field Modifications and Installation Defects

Chief assumes no responsibility for field modifications or installation defects which result in structural damage. If any field modifications are necessary which are not specifically covered by the contents of the installation manual, contact Chief for approval. Any unauthorized modification or installation defect which affects the structural integrity of the support system will void the warranty.

Checking Shipment

For your convenience steel components will be color coded, individual items labeled with an appropriate part number and packages labeled. Hardware, including bolts, nuts, screws and other small clips or brackets may be divided into smaller packages for ease of use and identification.

Check your shipment at the time of delivery against the packing list provided with the shipment. If any items are missing or any damaged material is evident, note such shortage or damage on the freight bill before you sign the shipment paperwork.

Claims of shortages will not be honored after 30 days from receipt of shipment. Parts that are missing or damaged are the responsibility of the delivering carrier, not the manufacturer or dealer.

It is advisable to reorder damaged or missing parts immediately so that there will be no delay in the bin installation. After receiving the invoice for the reordered material, file a claim with the delivering carrier immediately.

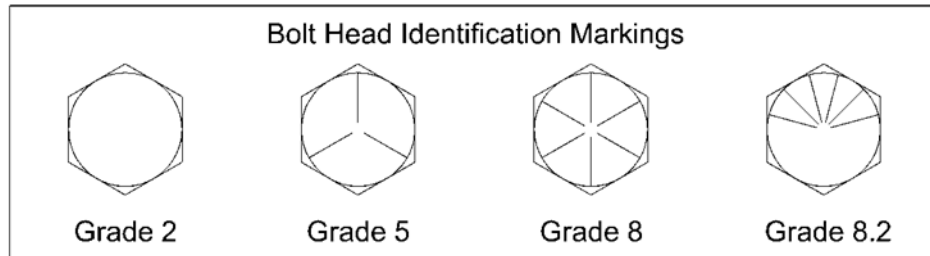
Suggested Equipment

Chief recommends the following equipment and tools needed for installation. Individual installations may vary.

- Impact wrenches and sockets
- End wrenches
- Crescent wrenches
- Vise grip pliers
- Alignment punches
- Rubber mallets
- Level

Hardware Torque

All components are assembled using SAE grade hex head bolts with corresponding washers and nuts. Bolts are marked with radial lines on the bolt head as shown in the following illustration.



Do not substitute any other bolt type or grade. Use only the bolts supplied by Chief. The substitution of bolts from other sources is not permitted and will void the warranty.

When installing hardware the minimum and maximum torque values shown below must be followed. All hardware must seat tight against the corresponding bin component.

Bolt Diameter	Grade 2	Grade 5	Grade 8	Grade 8.2
1/4" (.63cm)	6 ft.-lbs.	10 ft.-lbs.	14 ft.-lbs.	14 ft.-lbs.
5/16" (.79cm)	12 ft.-lbs.	19 ft.-lbs.	29 ft.-lbs.	29 ft.-lbs.
3/8" (.95cm)	20 ft.-lbs.	25 ft.-lbs.	47 ft.-lbs.	47 ft.-lbs.
3/4" (1.90cm)	155 ft.-lbs.	240 ft.-lbs.	380 ft.-lbs.	380 ft.-lbs.
1" (2.54cm)	-	-	910 ft.-lbs.	-

Please note the following wrench / socket size to be used on the corresponding hardware:

Bolt Size	Head Size	Nut Size
1/4" (.63cm)	7/16" wrench	7/16" wrench
5/16" (.79cm)	1/2" wrench	1/2" wrench
3/8" (.95cm)	9/16" wrench	9/16" wrench
3/4" (1.90cm)	1-1/8" wrench	1-1/8" wrench
1" (2.54cm)	1-1/2" wrench	1-1/2" wrench

Installation

Platform Components

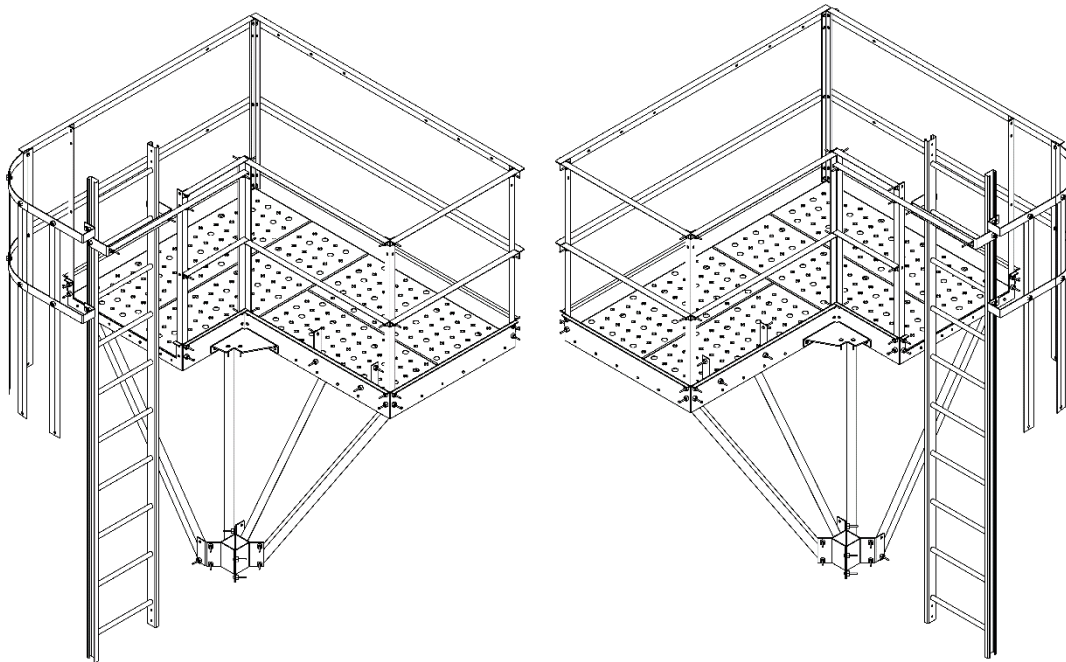
To save time and assist as a quick reference guide, the main component parts and the main assemblies created from these specific components will be shown on the following pages. Take note of the orientation of these parts in the top level assemblies to help reduce time and errors during the installation process.

Refer to installation specific drawings provided with shipment for additional information.

Note: The rest platform components shown in this installation manual can be configured using a left hand or right hand corner mounting style or a tower single face mounting style.

- 9623268 Left Hand Corner Style
- 9623267 Right Hand Corner Style
- 9623617 Standard Single Face Style
- 9623618 Walk Thru Single Face Style

Shown below on the left is the left hand corner style, and on the right the right hand corner style:



Ladder and Cage Components

Safety Cage Ring

- 9342605 Standard
- 9342613 Flare



Safety Cage Band

- 9651181 3' length
- 9651180 4' length
- 9113828 6' length
- 9113827 10' length



Standard Ladder

- 9137721 4' length
- 887446 10' length

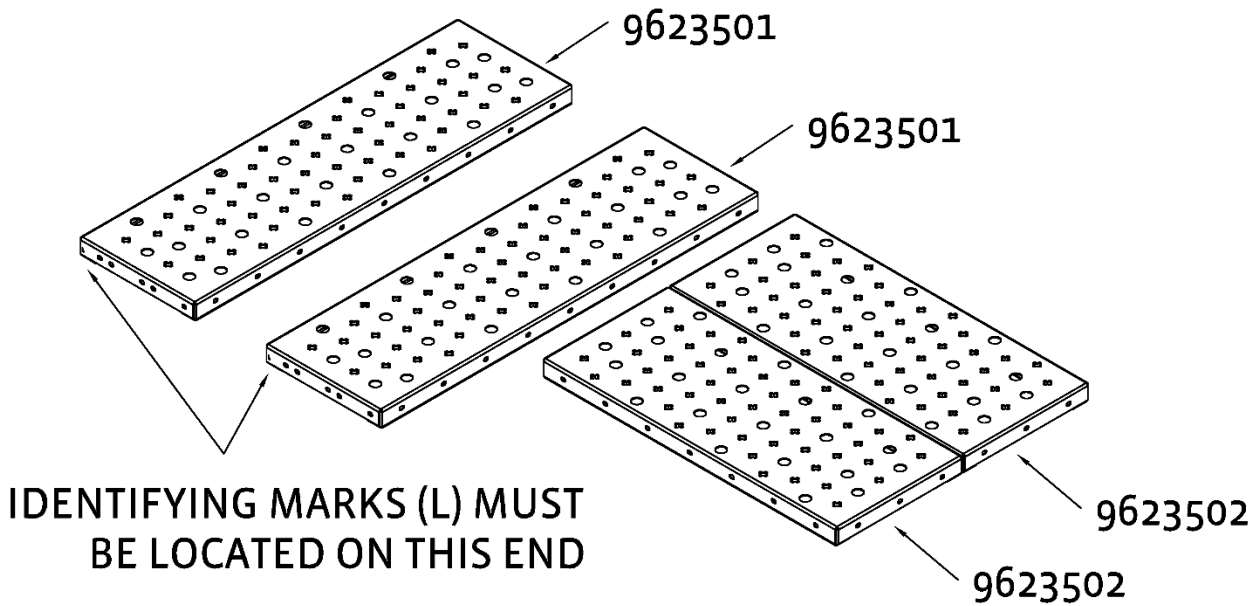


Corner Platform Installation

To install the platform refer to the following illustrations. Bolt heads are to be installed to the inside of the platform toe boards and guard rails. The following illustrations depict a left hand corner platform installation.

Important Note: Verify the correct orientation of components during installation, as the left hand and right hand orientation is different. Identifying marks must be located on the same end.

Bolt the floor planking together using 3/8" X 1.0" (.95cm x 2.54cm) bolts. Match identifying marks located on the end of the planks.

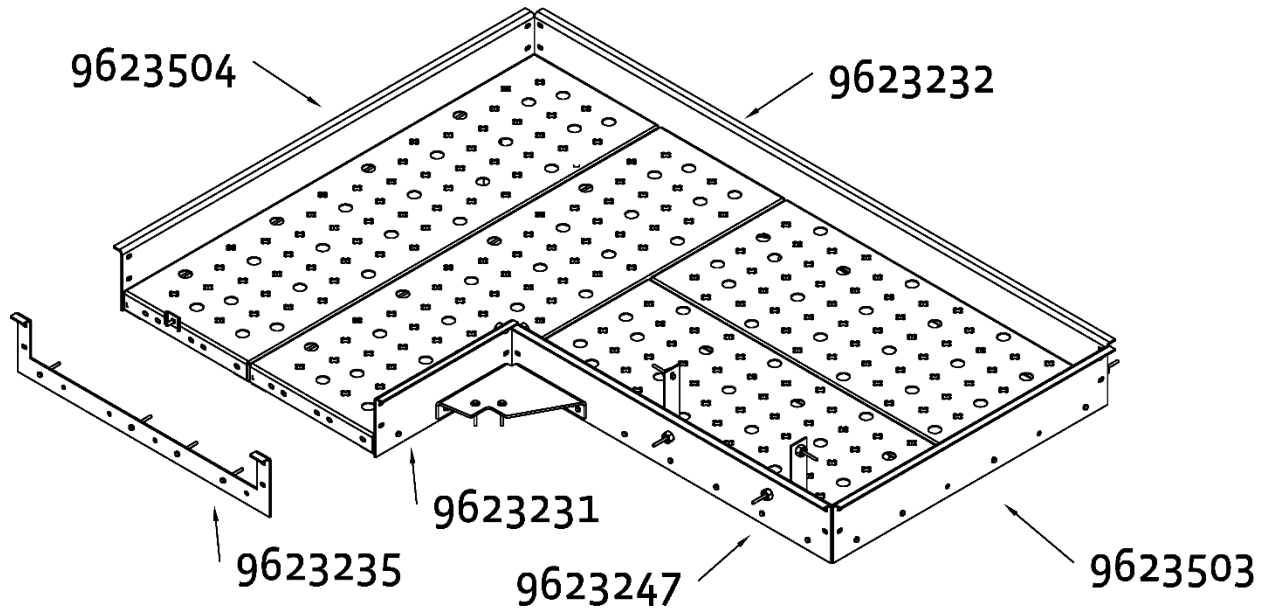


Assemble toe boards to the floor planks using 3/8" X 1.0" (.95cm x 2.54cm) bolts and the tower attachment plate to the corner of the toe board as shown in the following illustration.

Important Note: Select and verify that the correct tower attachment plate is used for the corresponding tower bay staging location.

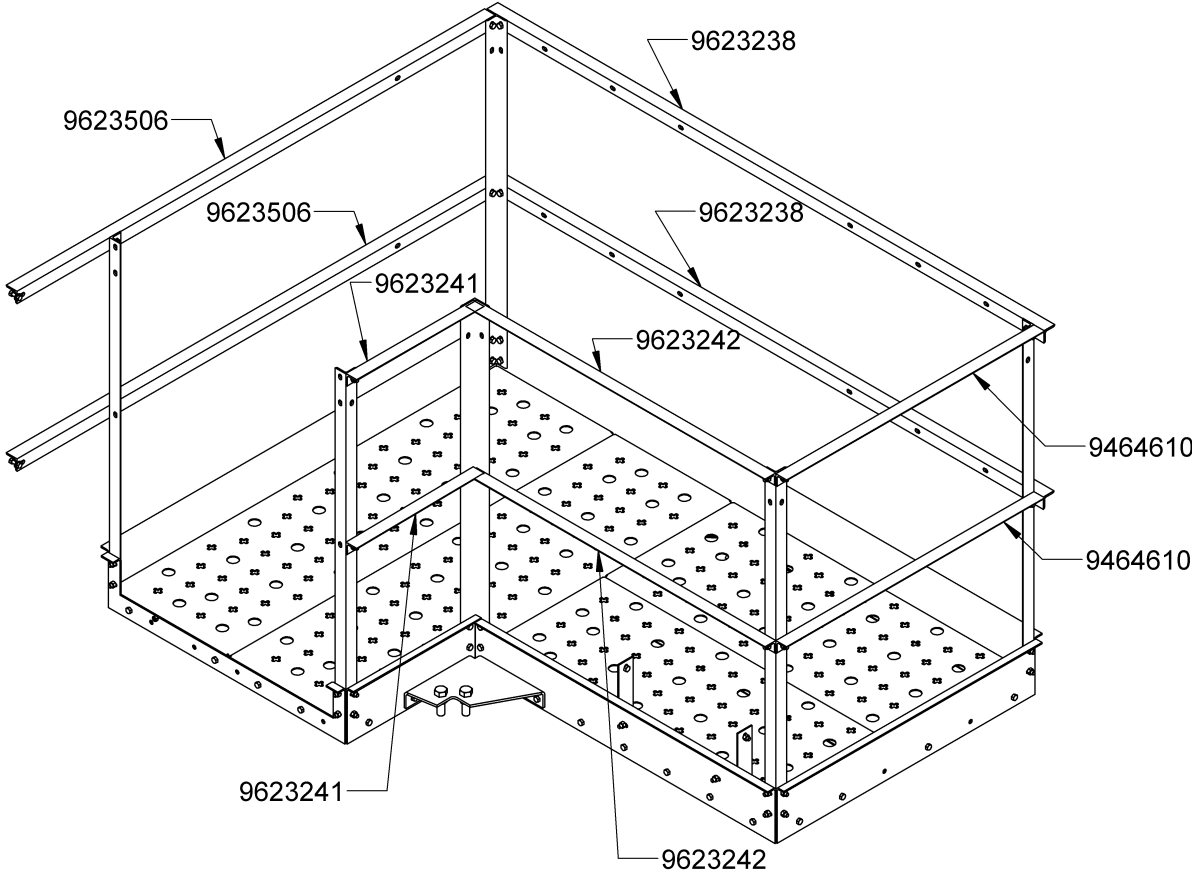
9623259 - Tower Attachment Plate Stg 0-3

9623260 - Tower Attachment Plate Stg 4-6

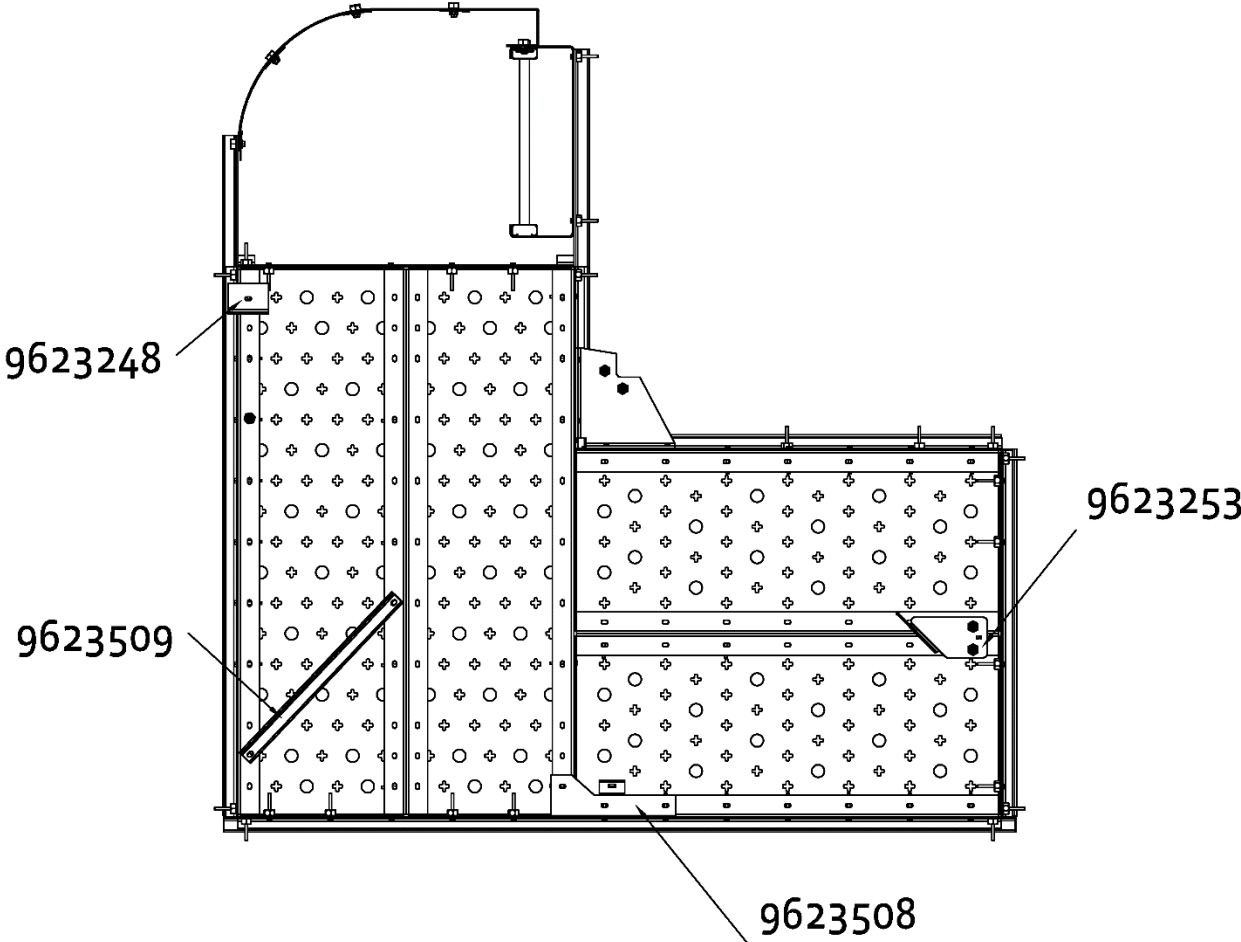


Assemble posts and the ladder base mounting bracket to the inside of the toe boards using 3/8" X 1.0" (.95cm x 2.54cm) bolts. Assemble safety rails to the posts using 3/8" X 1.0" (.95cm x 2.54cm) bolts.

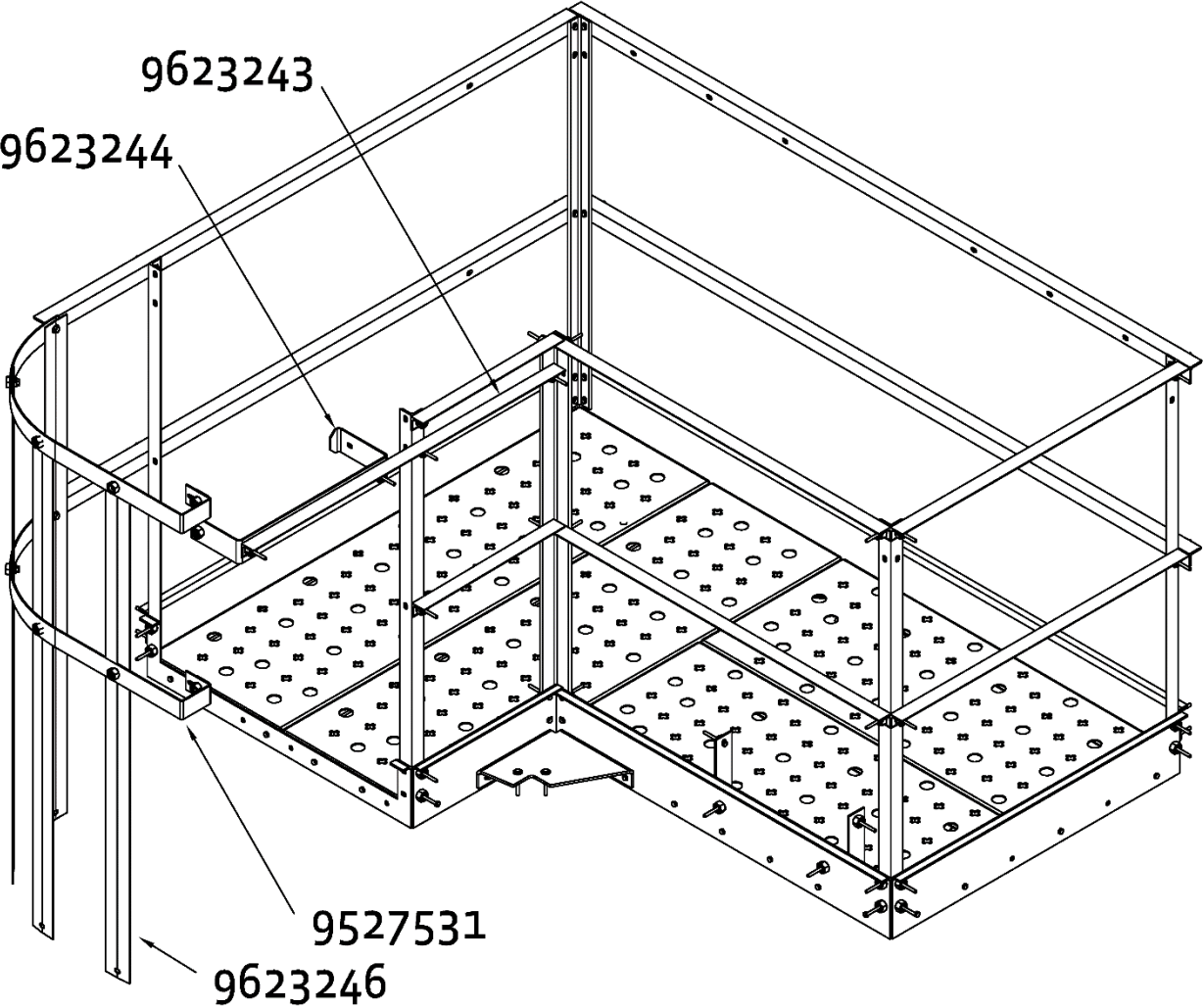
Important Note: Attach the rails with the mounting holes for attachment of safety cage bands in the top position.



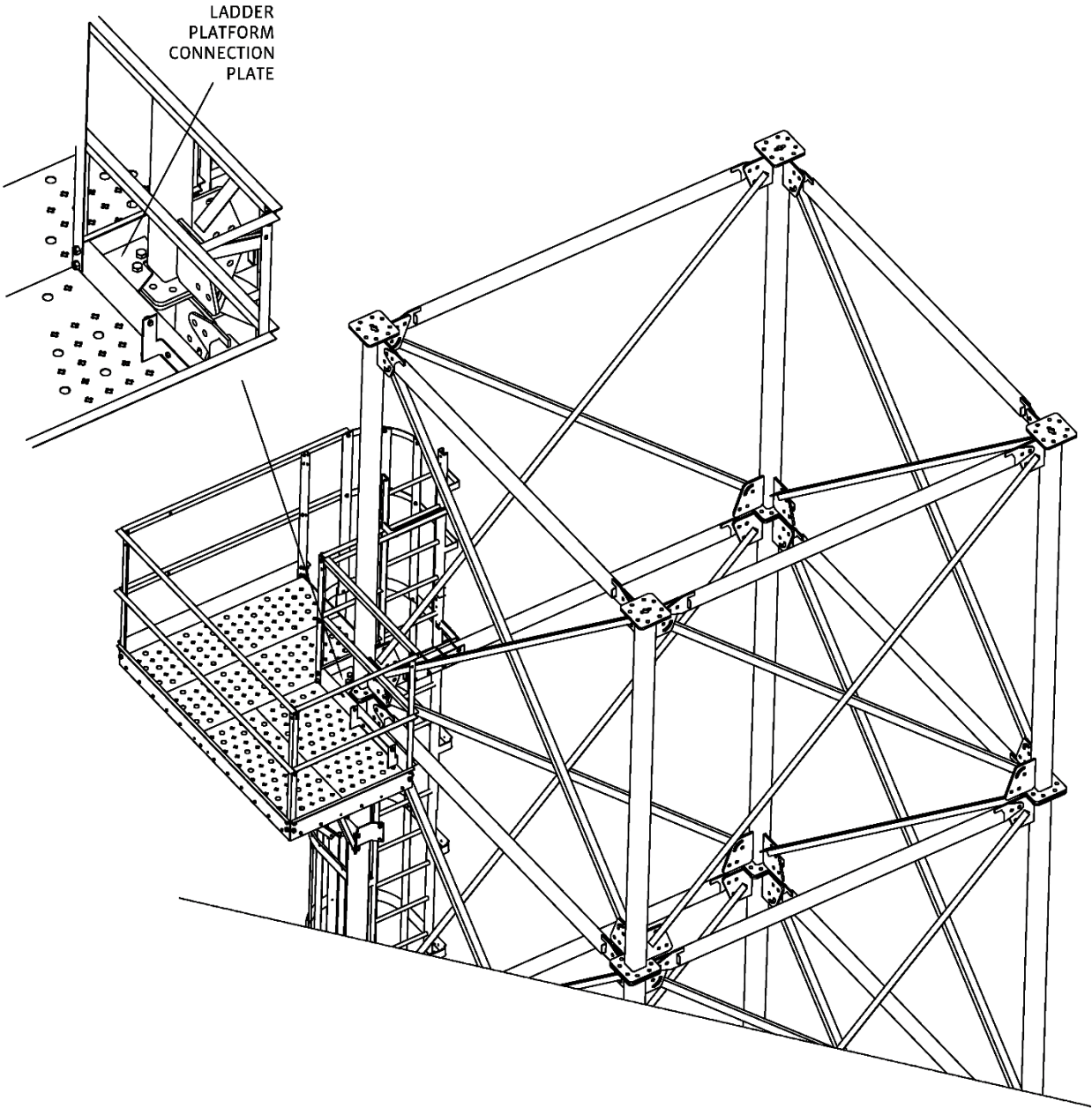
Assemble the brace supports to the underside of the platform floor planks as shown in the following illustration using 3/8" X 1.0" (.95cm x 2.54cm) bolts.



Assemble the platform ladder support and cage as shown in the following illustration using 3/8" X 1.0" (.95cm x 2.54cm) bolts.

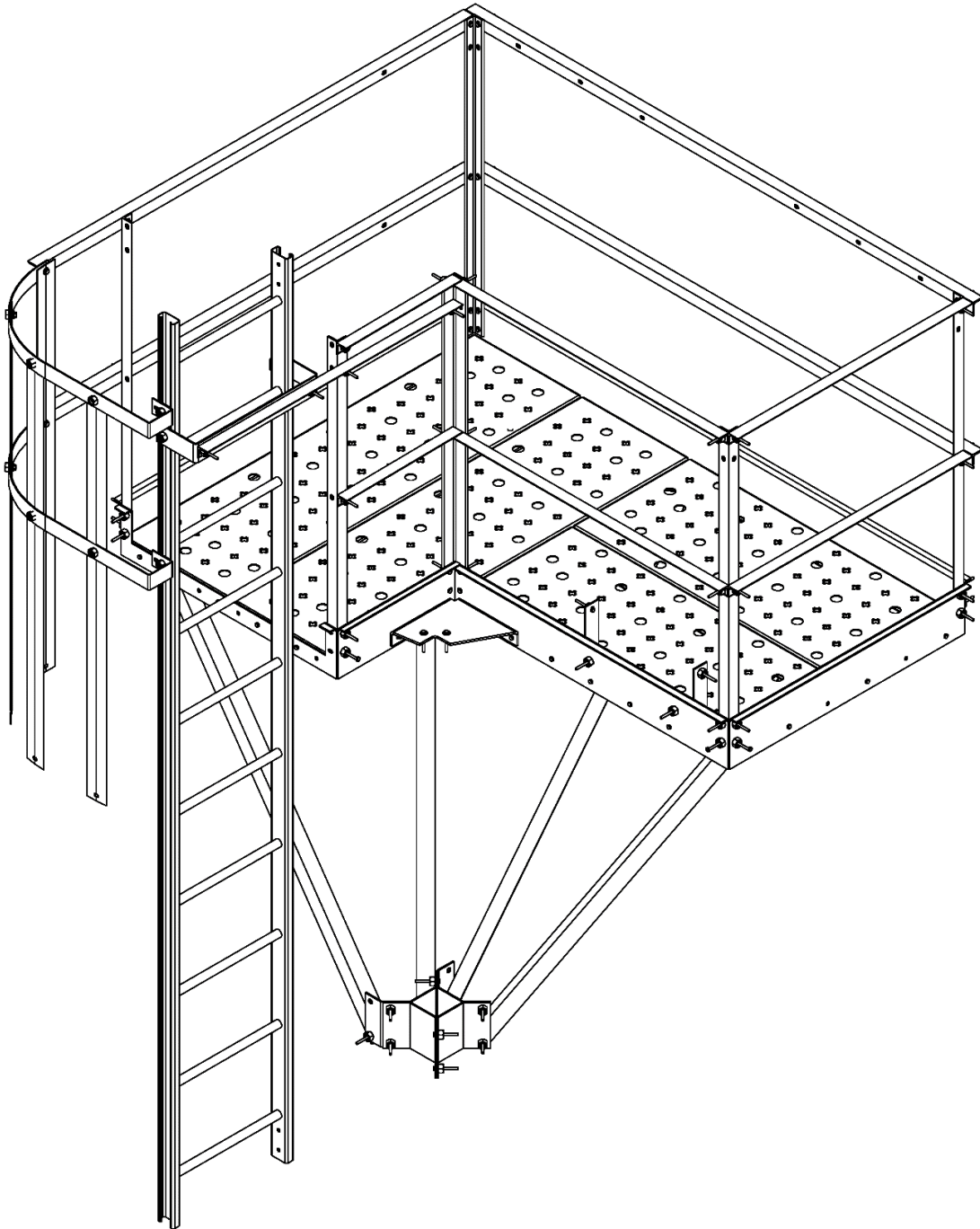


Verify the platform location on the completed tower as described in the project specific engineering drawings supplied for the project or the [standard platform locations](#) if applicable. Connect the assembled platform to the completed tower at the tower post endplate location, using the post connection hardware supplied with the tower.



Assemble and install the support bracing located beneath the ladder platform. Attach the bracing mounts around the tower post using 1/2" x 1.25" (1.27cm x 3.17cm) bolts.

Important Note: In all platform packages both stage 0-3 and stage 4-6 support bracing will be provided. Select and verify that the appropriate size of bracing is used for the corresponding tower bay stage location. Fasten the angle support bracing using the same hardware in bracing mount.

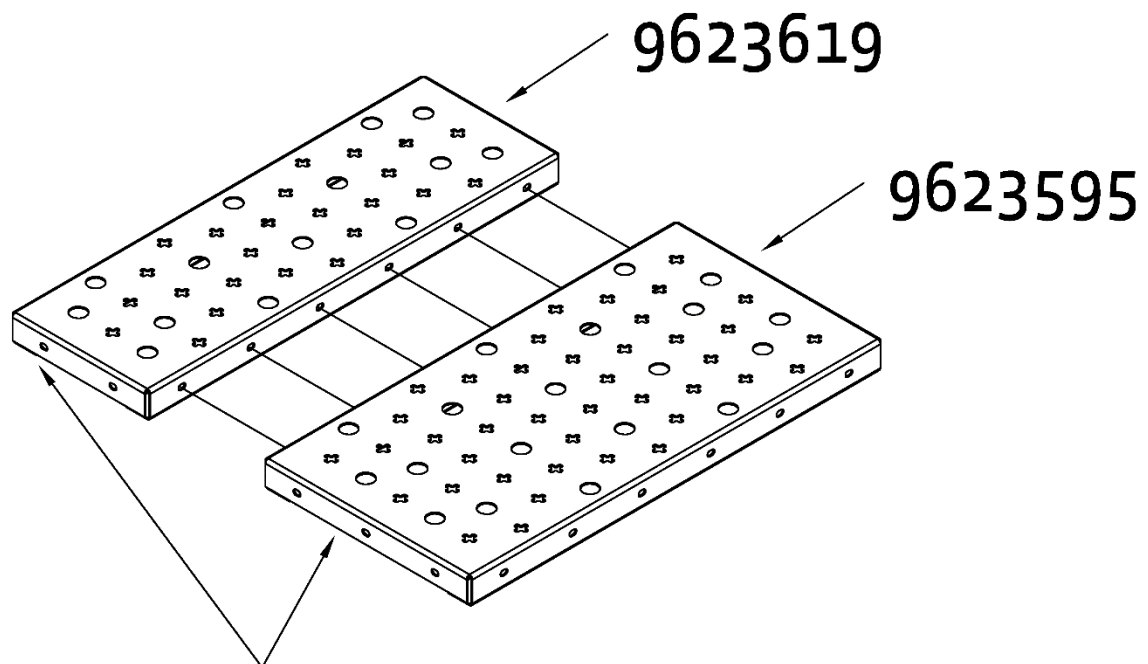


Single Face Platform Installation

To install the platform refer to the following illustrations. Bolt heads are to be installed to the inside of the platform toe boards and guard rails.

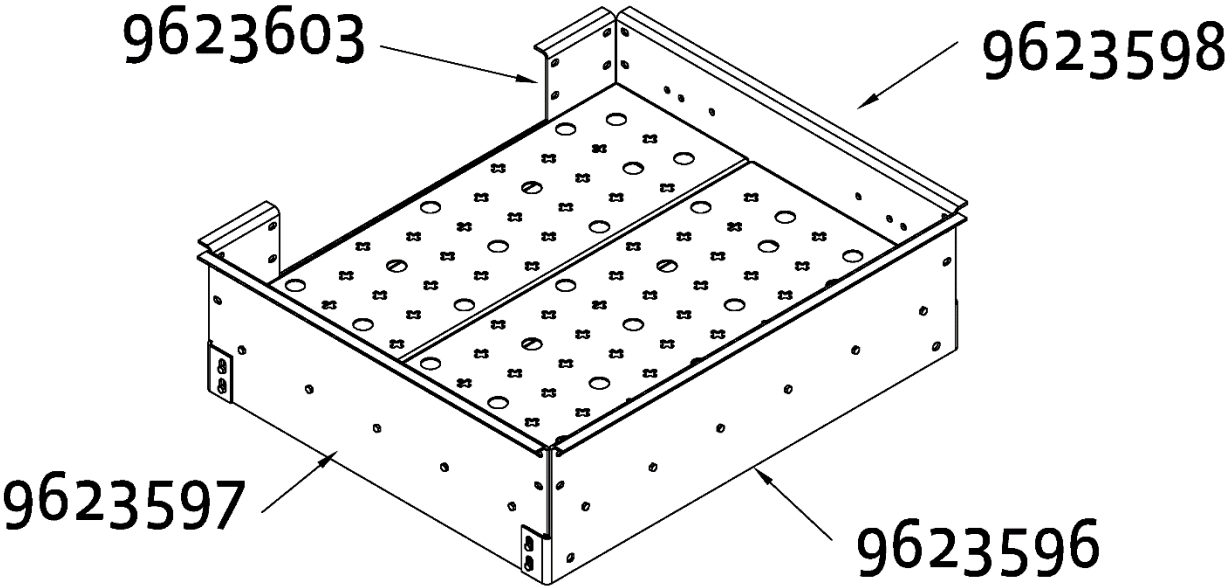
Important Note: Verify the correct orientation of components during installation, as the left hand and right hand orientation is different. The following illustrations depict a left hand orientation. All parts are reversible to allow for either a left hand or right hand installation.

Bolt the floor planking together using 3/8" X 1.0" (.95cm x 2.54cm) bolts. Match identifying marks located on the end of the planks.

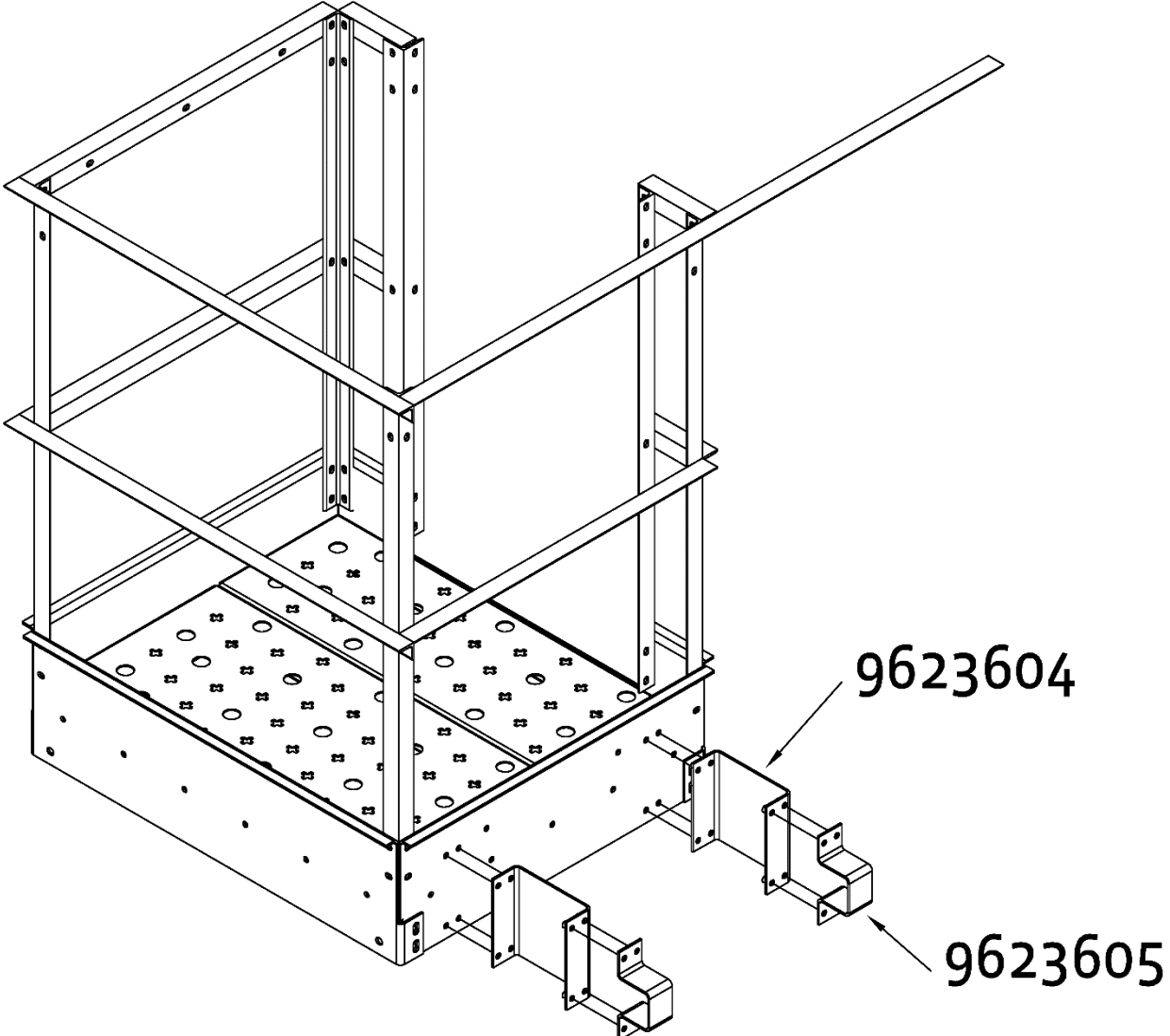


**IDENTIFYING MARKS (L) MUST
BE LOCATED ON THIS END**

Assemble toe boards to the floor planks using 3/8" X 1.0" (.95cm x 2.54cm) bolts as shown in the following illustration.

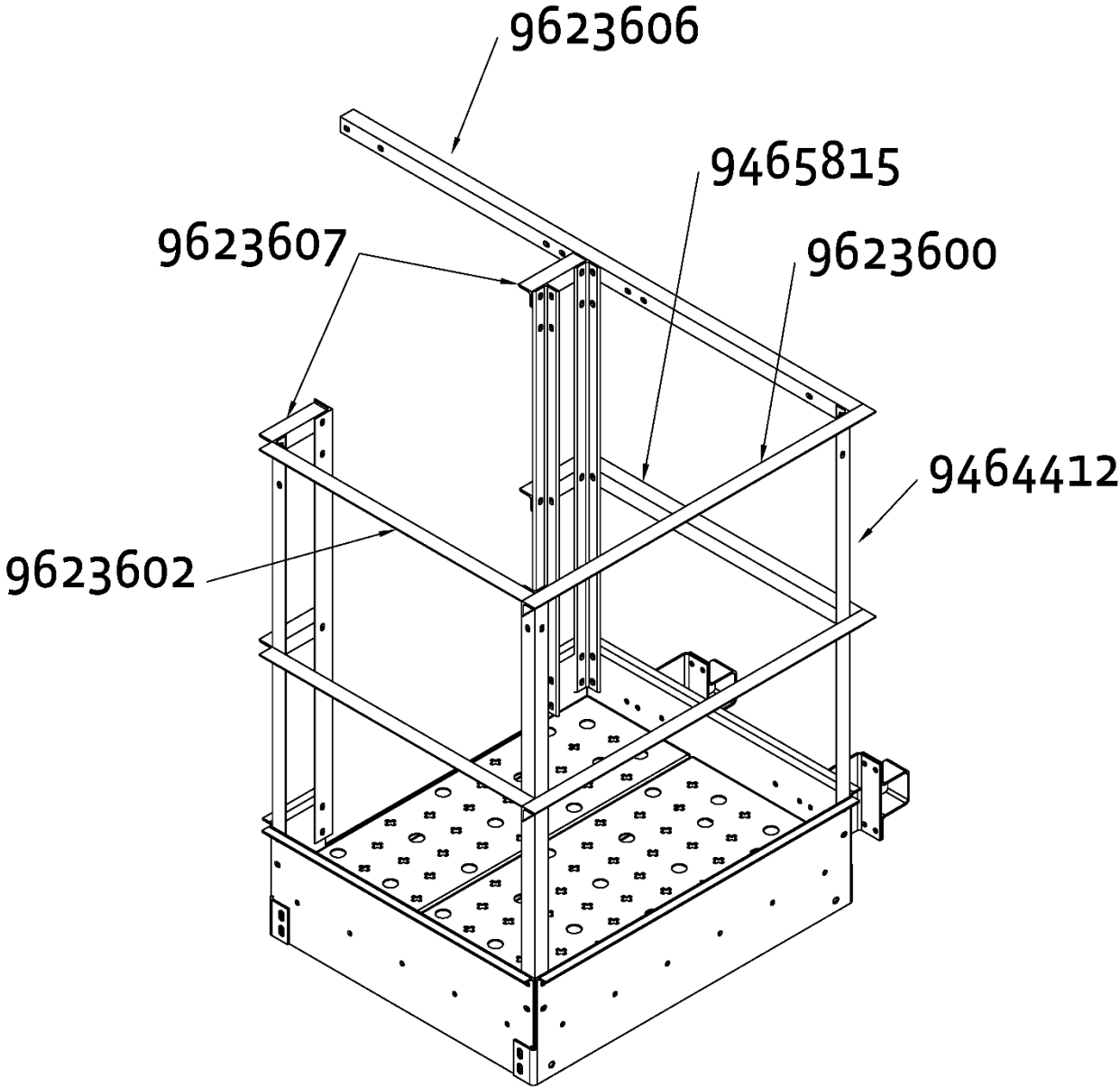


Assemble horizontal mounting brackets to the exterior of the toeboard and the ladder base mounting bracket to the inside of the toe board using 3/8" X 1.0" (.95cm x 2.54cm) bolts.



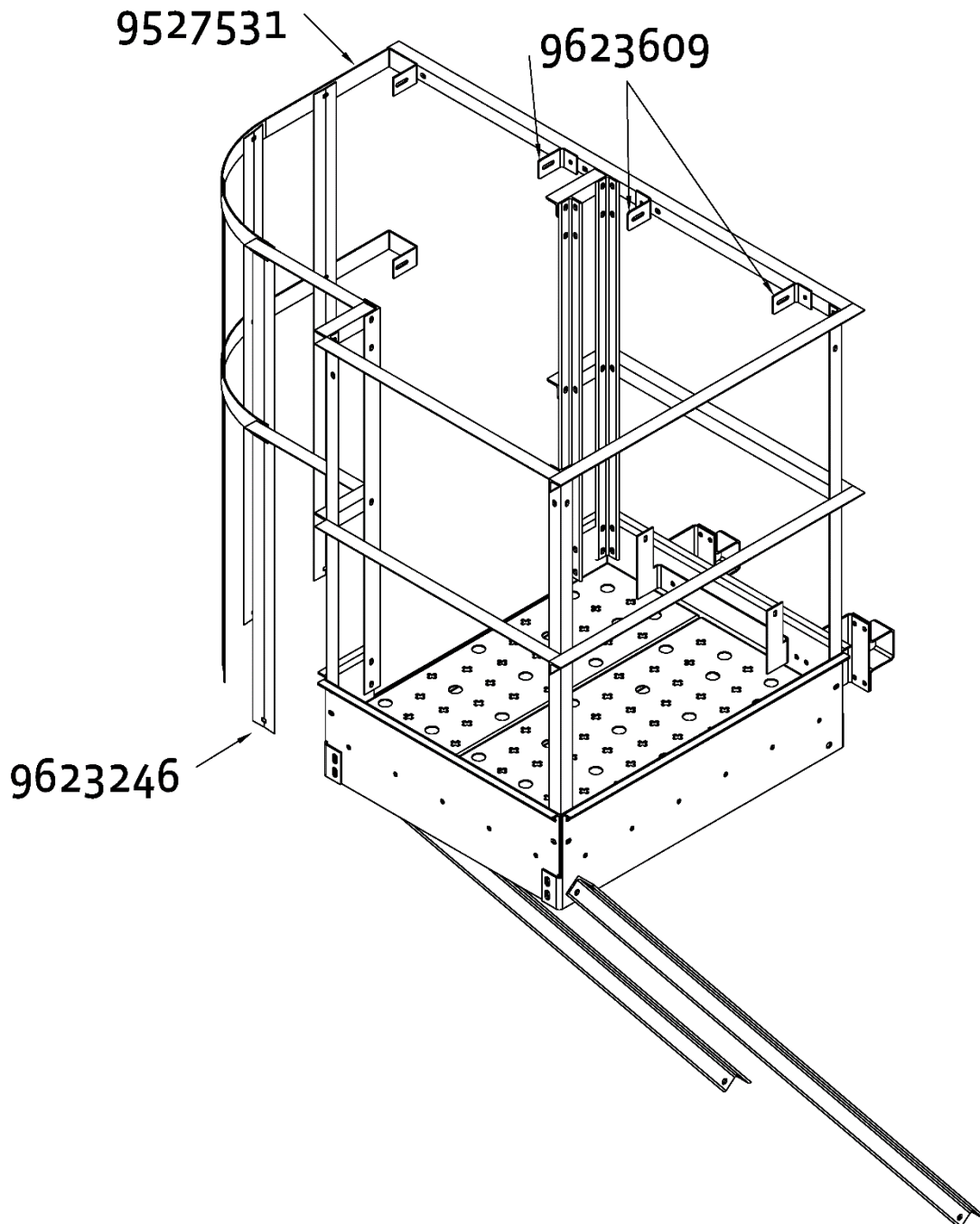
Assemble posts to the inside of the toe boards using 3/8" X 1.0" (.95cm x 2.54cm) bolts. Assemble safety rails to the posts using 3/8" X 1.0" (.95cm x 2.54cm) bolts.

Important Note: Attach the rails with the mounting holes for attachment of safety cage bands in the top position.



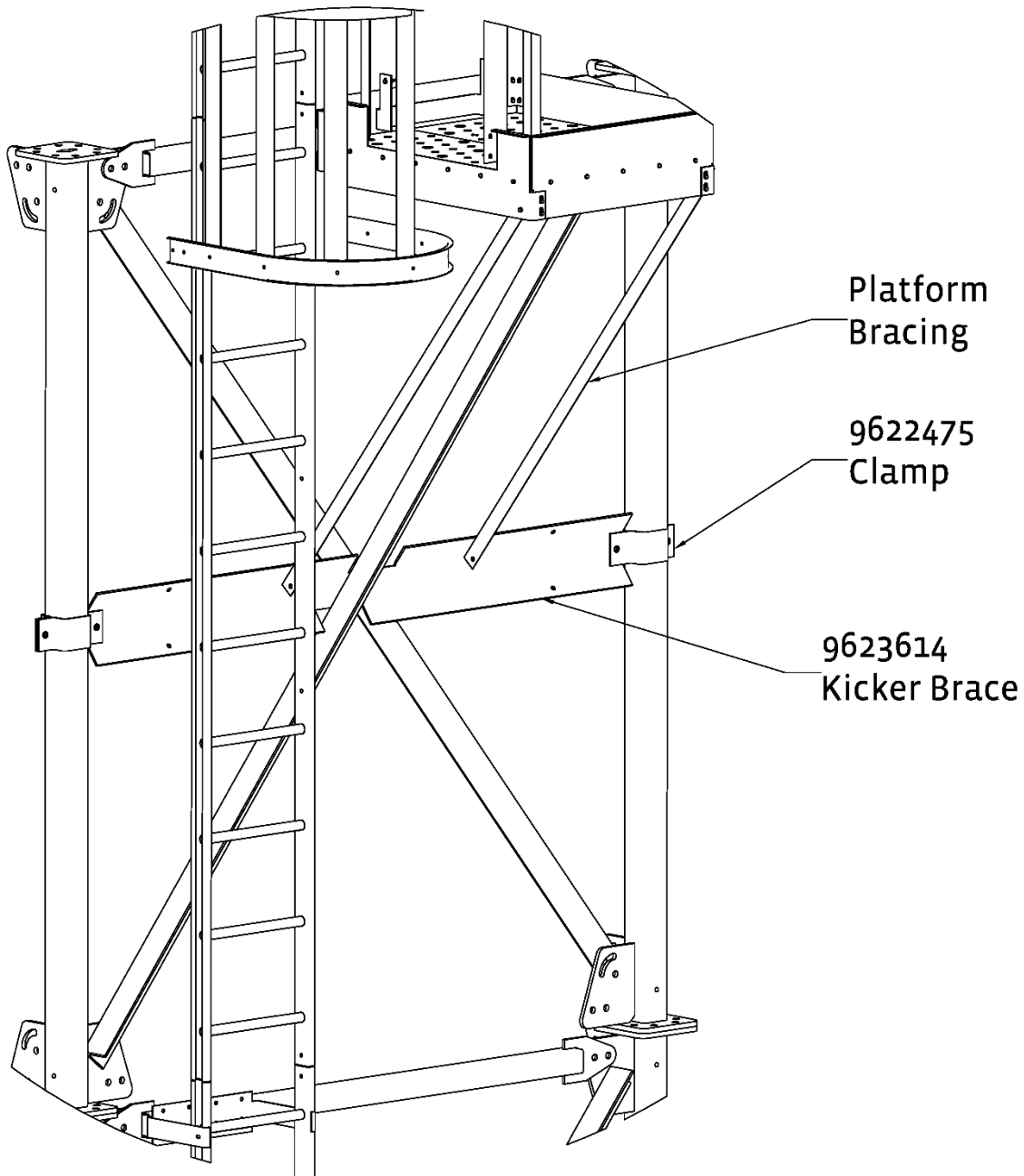
Assemble the platform ladder support and cage as shown in the following illustration using 3/8" X 1.0" (.95cm x 2.54cm) bolts.

Important Note: Platform bracing is shown, however this bracing will be installed when the platform is connected to the tower. Verify the platform location on the completed tower as described in the project specific engineering drawings supplied for the project or the [standard platform locations](#) if applicable.



Assemble and install the support bracing located beneath the ladder platform as shown in the following illustration. Attach the kicker brace with the clamps installed around the tower post using 1/2" x 1.25" (1.27cm x 3.17cm) bolts. The kicker brace is positioned between the tower bay x-bracing, with the platform bracing attached to the kicker brace.

Important Note: In all platform packages both stage 0-3 and stage 4-6 support bracing will be provided. Select and verify that the appropriate size of bracing is used for the corresponding tower bay stage location. Fasten the angle support bracing using the same hardware in bracing mount.



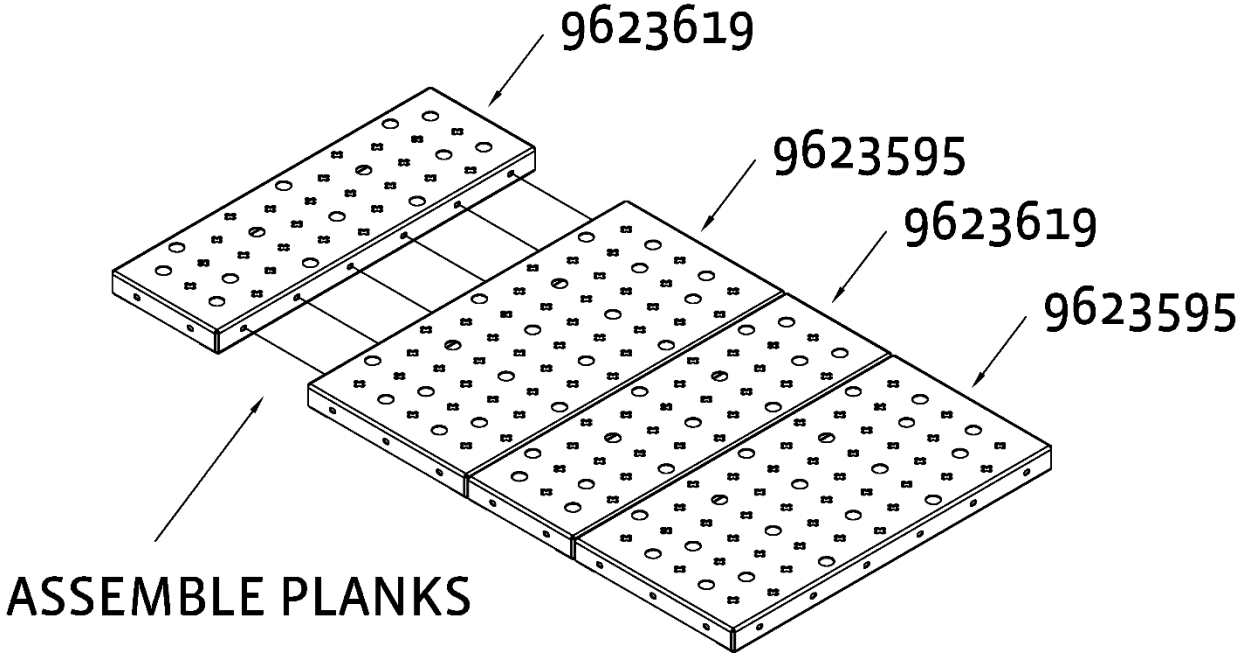
Single Face Walk Thru Platform Installation

A single face walk thru platform is designed to enter into a tower interior platform.

To install the platform refer to the following illustrations. Bolt heads are to be installed to the inside of the platform toe boards and guard rails.

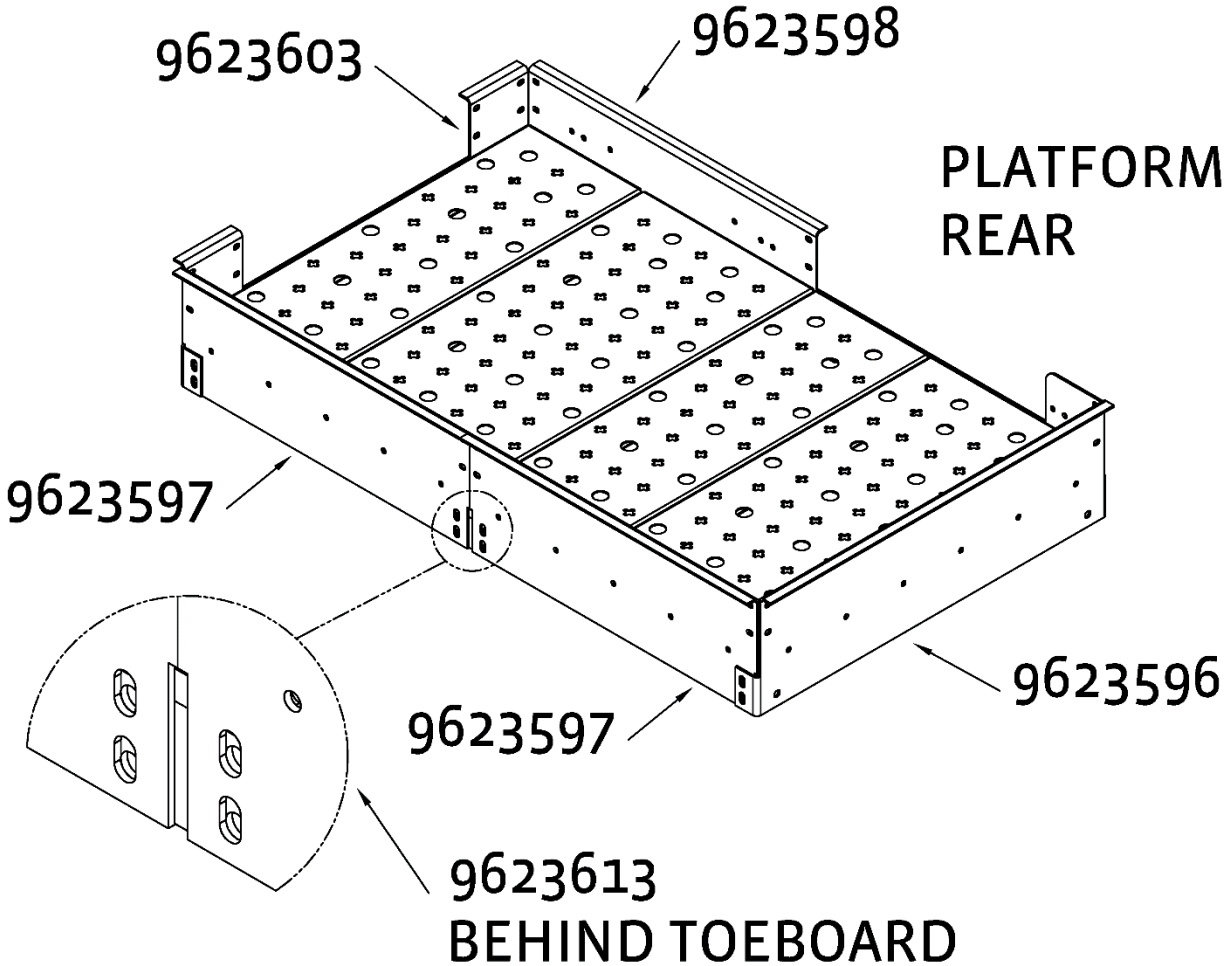
Important Note: Verify the correct orientation of components during installation, as the left hand and right hand orientation is different. The following illustrations depict a left hand orientation. All parts are reversible to allow for either a left hand or right hand installation.

Bolt the floor planking together using 3/8" X 1.0" (.95cm x 2.54cm) bolts. Match identifying marks located on the end of the planks.

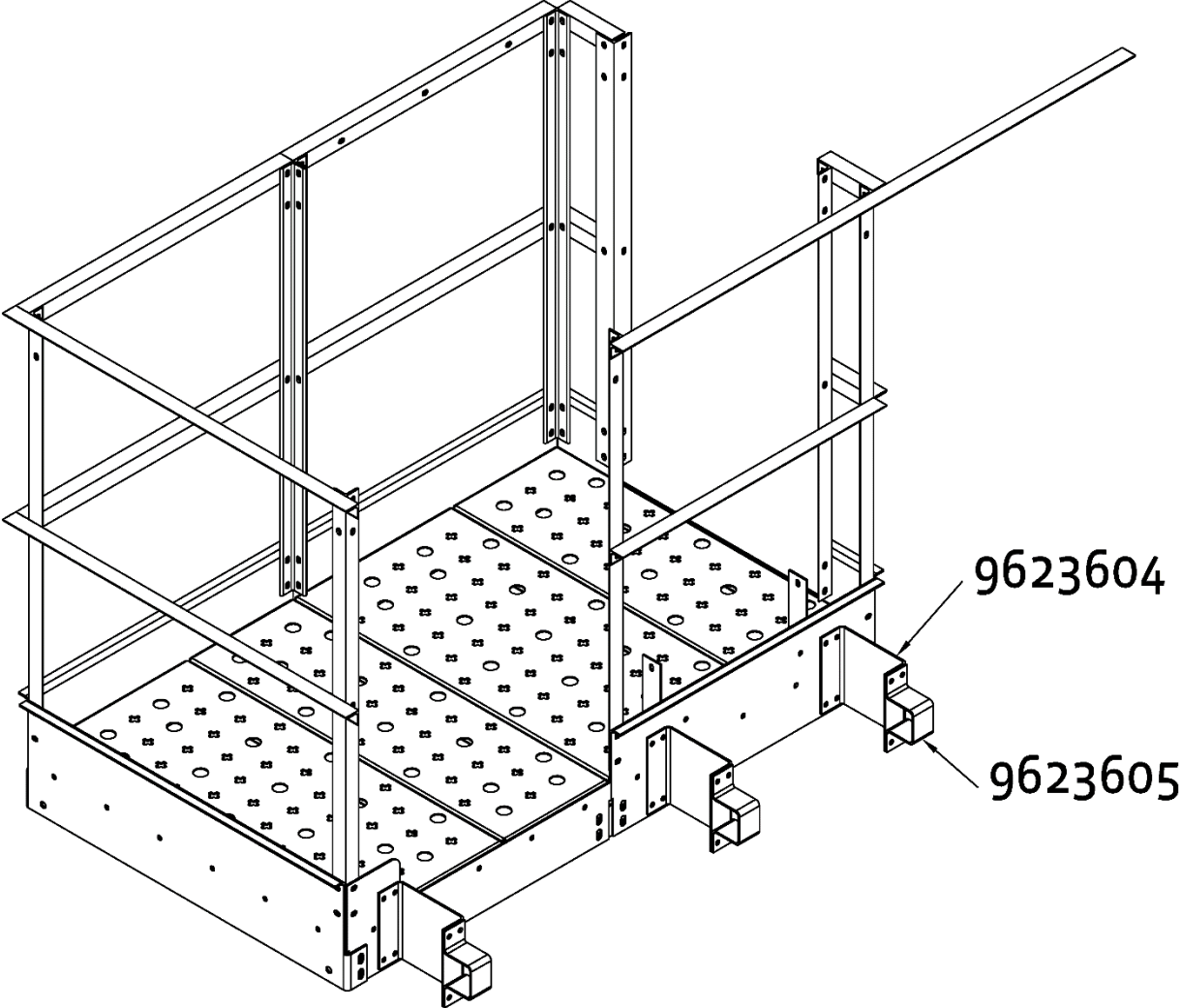


Assemble toe boards to the floor planks using 3/8" X 1.0" (.95cm x 2.54cm) bolts and the toe board splice plates as shown in the following illustration.

Important Note: The rear splice plate is to be installed on the interior of the toe board.

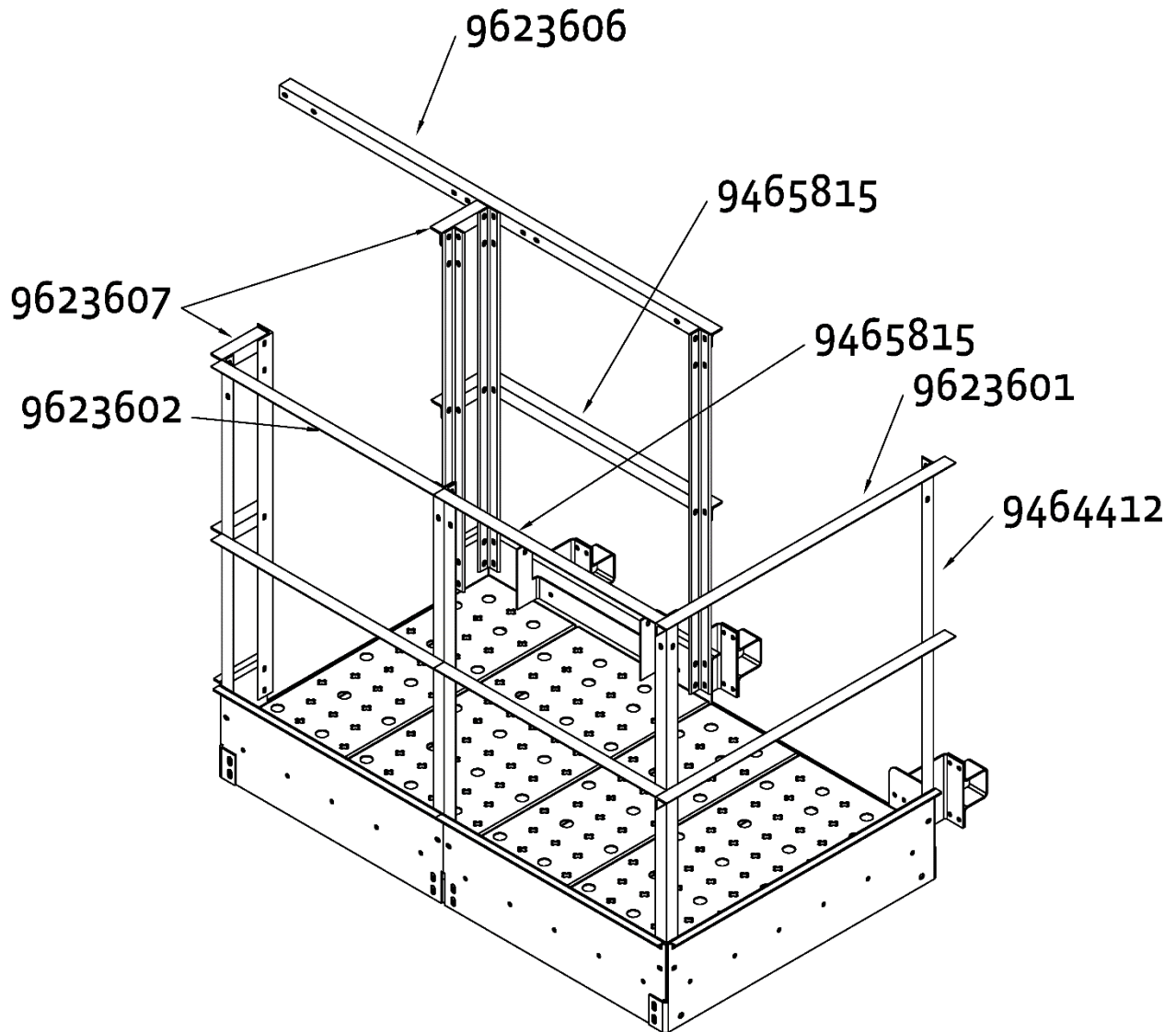


Assemble horizontal mounting brackets to the exterior of the toeboard and the ladder base mounting bracket to the inside of the toe board using 3/8" X 1.0" (.95cm x 2.54cm) bolts.



Assemble safety rails to the posts using 3/8" X 1.0" (.95cm x 2.54cm) bolts.

Important Note: Attach the rails with the mounting holes for attachment of safety cage bands in the top position.



Assemble the platform ladder support, cage and platform bracing shown previously in the [standard single face platform](#) instructions.

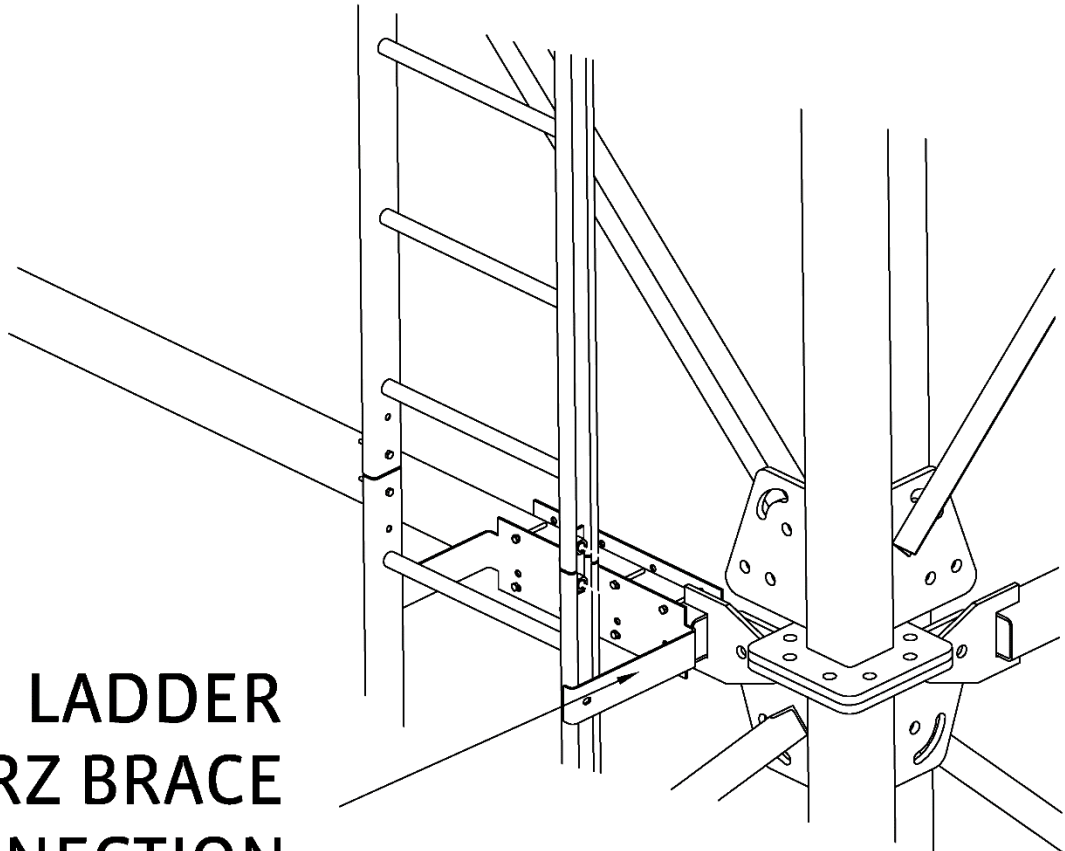
Important Note: Platform bracing will be installed when the platform is connected to the tower. Verify the platform location on the completed tower as described in the project specific engineering drawings supplied for the project or the [standard platform locations](#) if applicable.

Ladder Connection Details

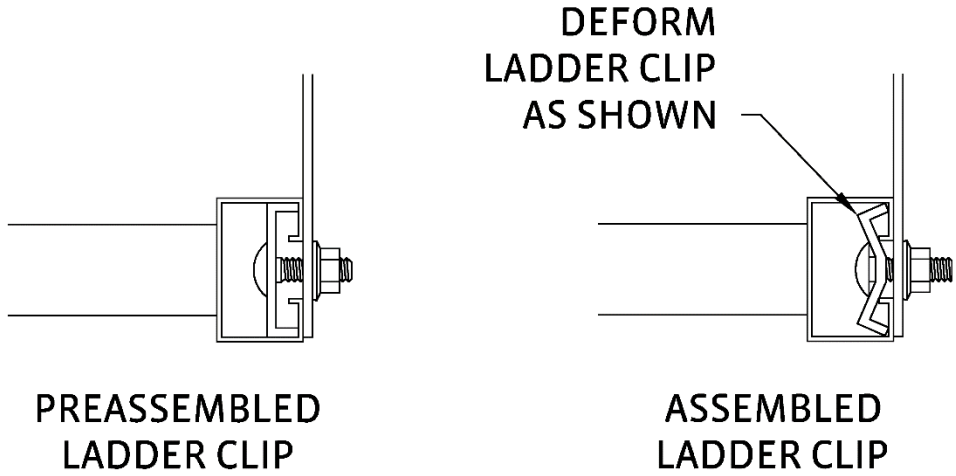
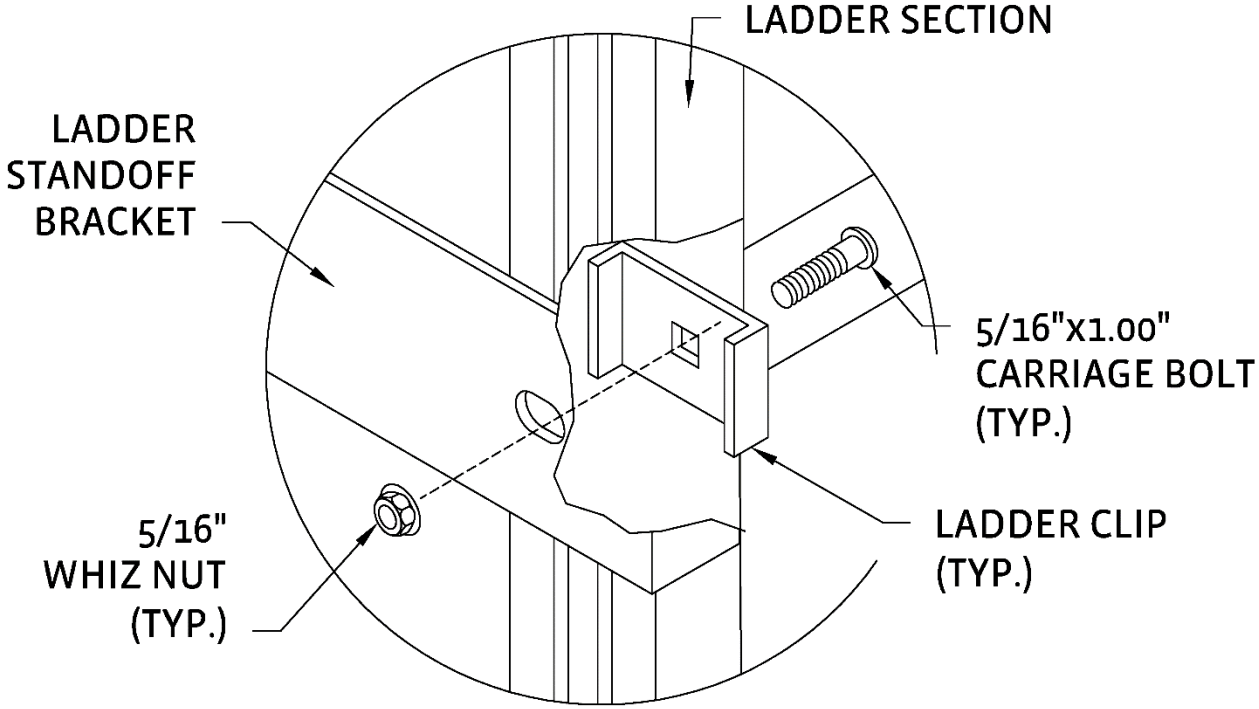
The base ladder starting at ground level is connected to the tower horizontal brace with brackets. Attach the connection bracket using 3/8" x 4" (.95cm x 10.16cm) bolts as shown in the following illustration.

Important Note: Ladder connection brackets are required at all tower horizontal brace locations.

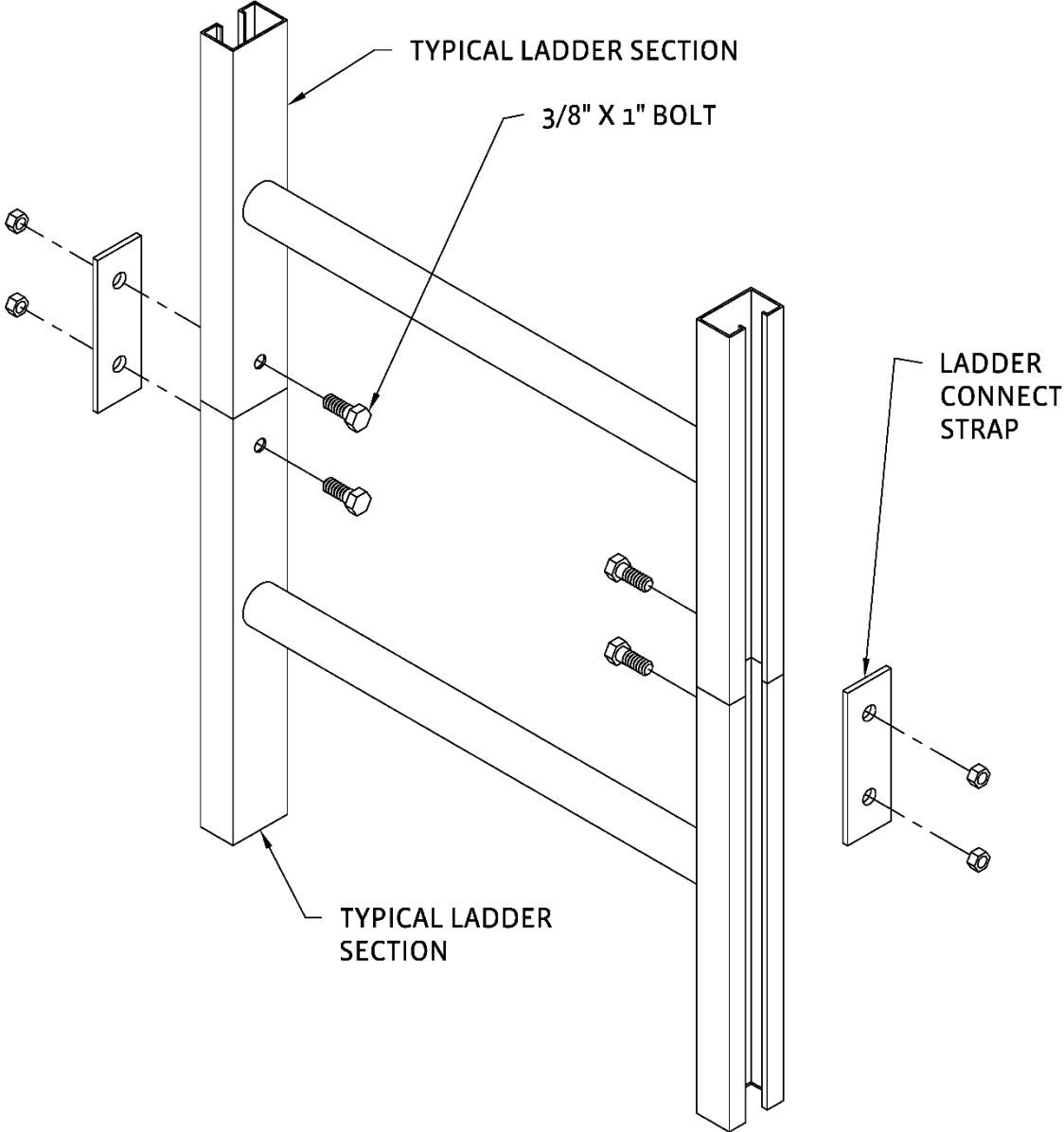
LADDER HORZ BRACE CONNECTION



The standoff bracket connection is required to attach the ladder to the horizontal brace bracket. Attach the standoff bracket as shown in the following illustration.



To connect 2 sections of ladder to each other a ladder splice connection is required. Attach the splice as shown in the following illustration.

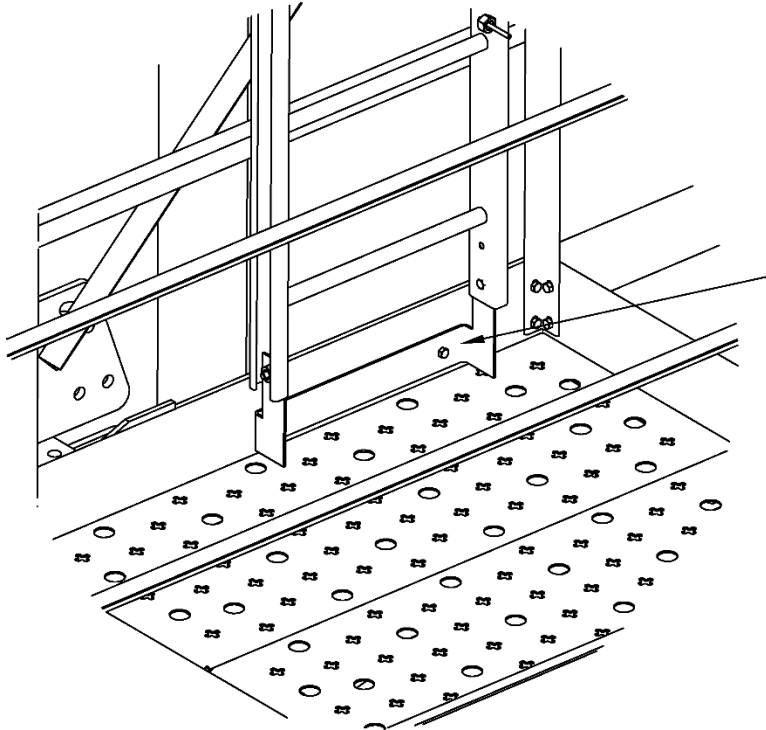


Continue to connect ladder sections up to the platform as shown in the previously described illustrations.

Important Note: Complete each platform to platform segment of ladder and safety cage before proceeding to next platform segment.

The base ladder located at each platform is positioned on the base mounting bracket. Attach the ladder to the mounting bracket using 3/8" x 3/4" (.95cm x 1.90cm) bolts.

Continue to connect ladder sections and safety cage sections up to the next platform as shown in the previously described illustrations.

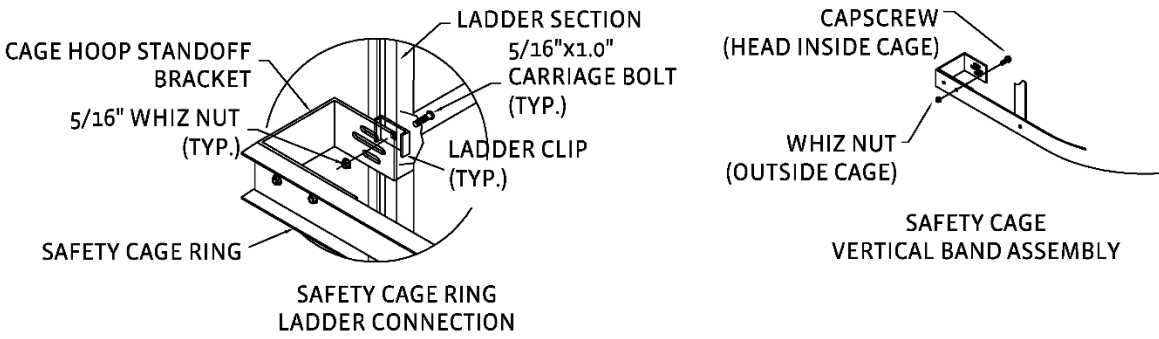
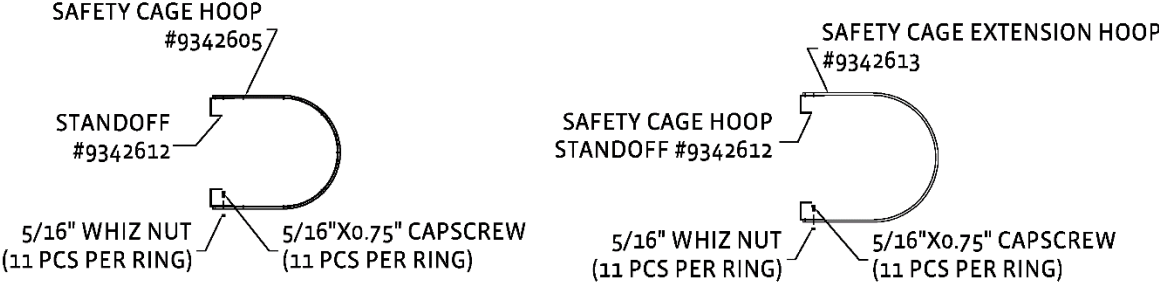
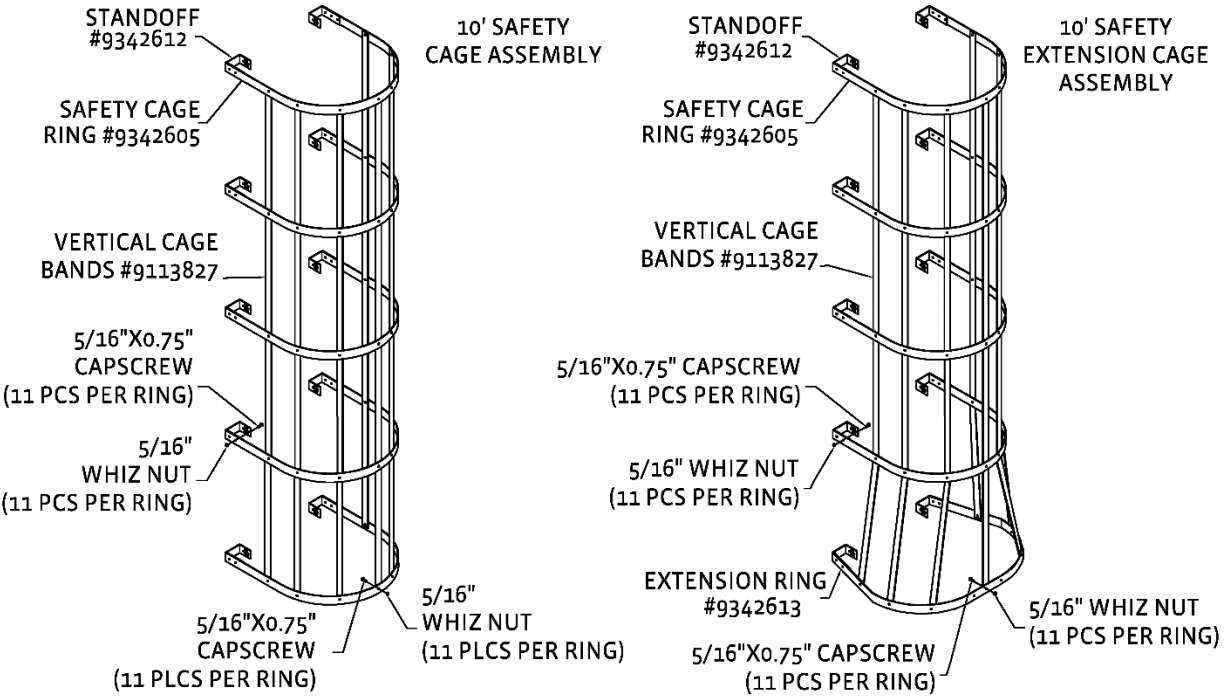


LADDER BASE MOUNTING

Safety Cage Installation

To install the safety cages refer to the following illustrations. Bolt heads are to be installed to the inside of the safety cage.

10' Standard Safety Cage Assembly and 10' Flare Safety Cage Assembly

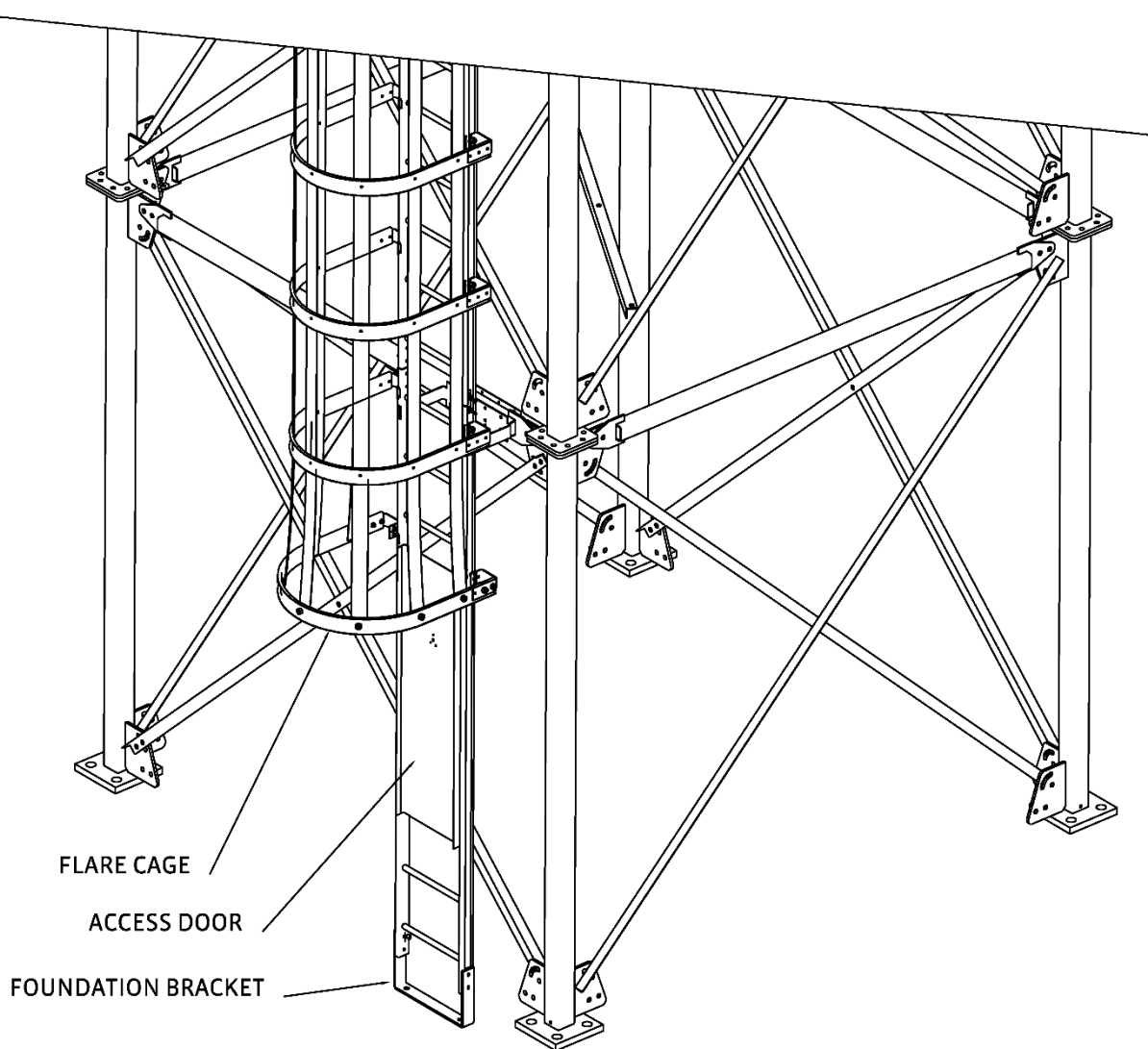


Safety Cage Entry Section All Models

Attach ground level ladder section with attached ladder access door to the ladder standoff bracket located on the tower horizontal brace as shown in the following illustration.

Important Note: Ladder section is to end at ground level; field cut modifications to the lower end of the final ladder section may be required. When modification of the ladder section is required, then the access door will need adjustment of hinges and latch bracket to center the door panel on the ladder section. A padlock device is needed to prevent unauthorized ladder access.

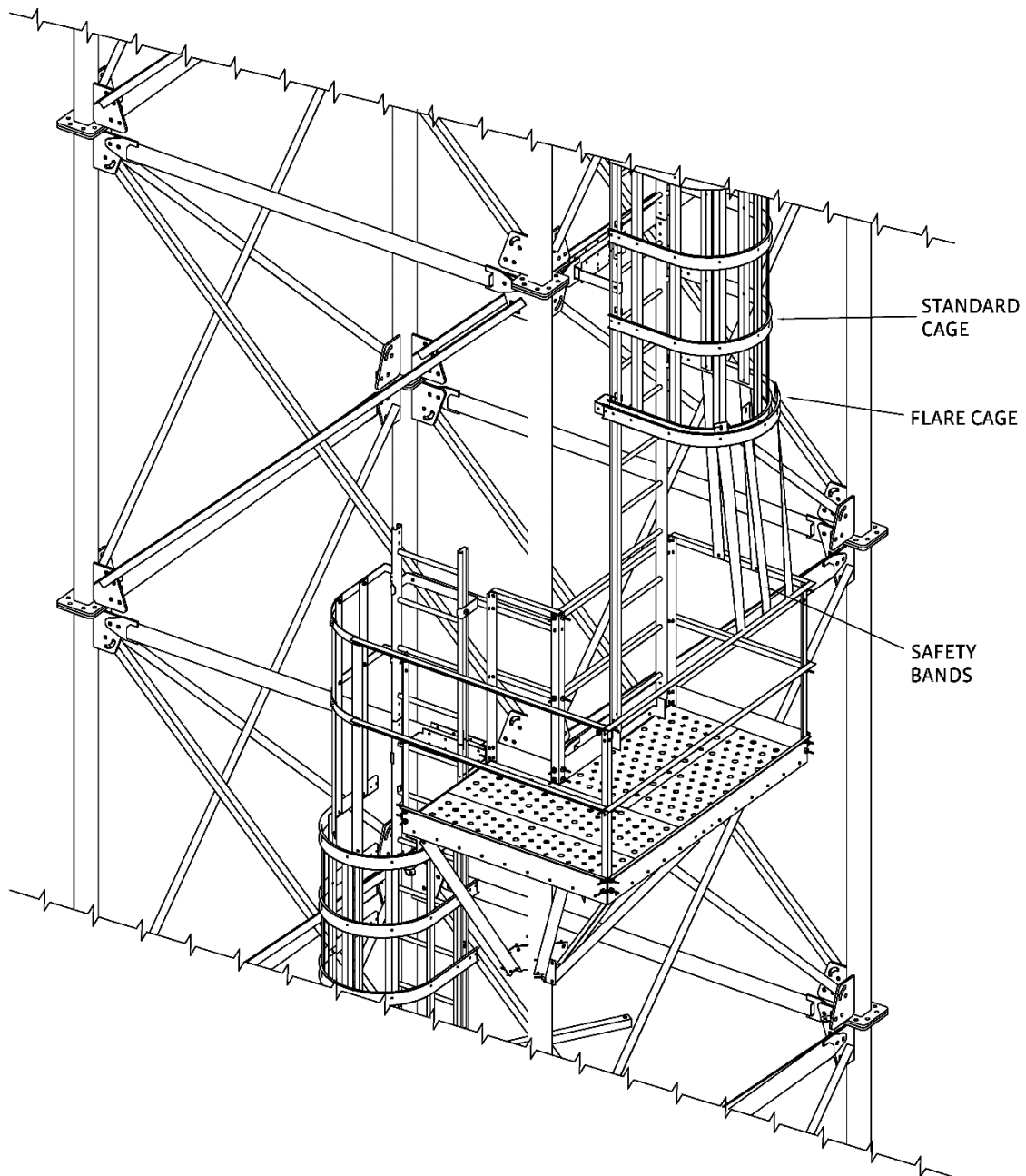
Important Note: Flare safety cage section must end 7' - 8' (2.13m – 2.43m) from ground level. When modifications to the flare safety cage section are required, omit the necessary safety cage rings and trim the vertical bands to meet height requirement. Verify that the flare portion of safety cage is retained as shown in the following illustration.



Safety Cage Flare Section All Models

Attach flare cage and safety bands to the ladder as shown in the following illustration. The following illustration depicts a corner mount platform, however the safety cage flare will be installed in a similar manner for all tower platform types.

Important Note: Flare safety cage section must end 7' - 8' (2.13m – 2.43m) from the platform floor level.



Ladder Installation Layout

Standard ladder access is configured with the initial rest platform 30' (9.14m) from ground level and subsequent rest platforms spaced every 30' (9.14m) for the length of the tower.

Important Note: The first platform above ground level is a right hand platform configuration.

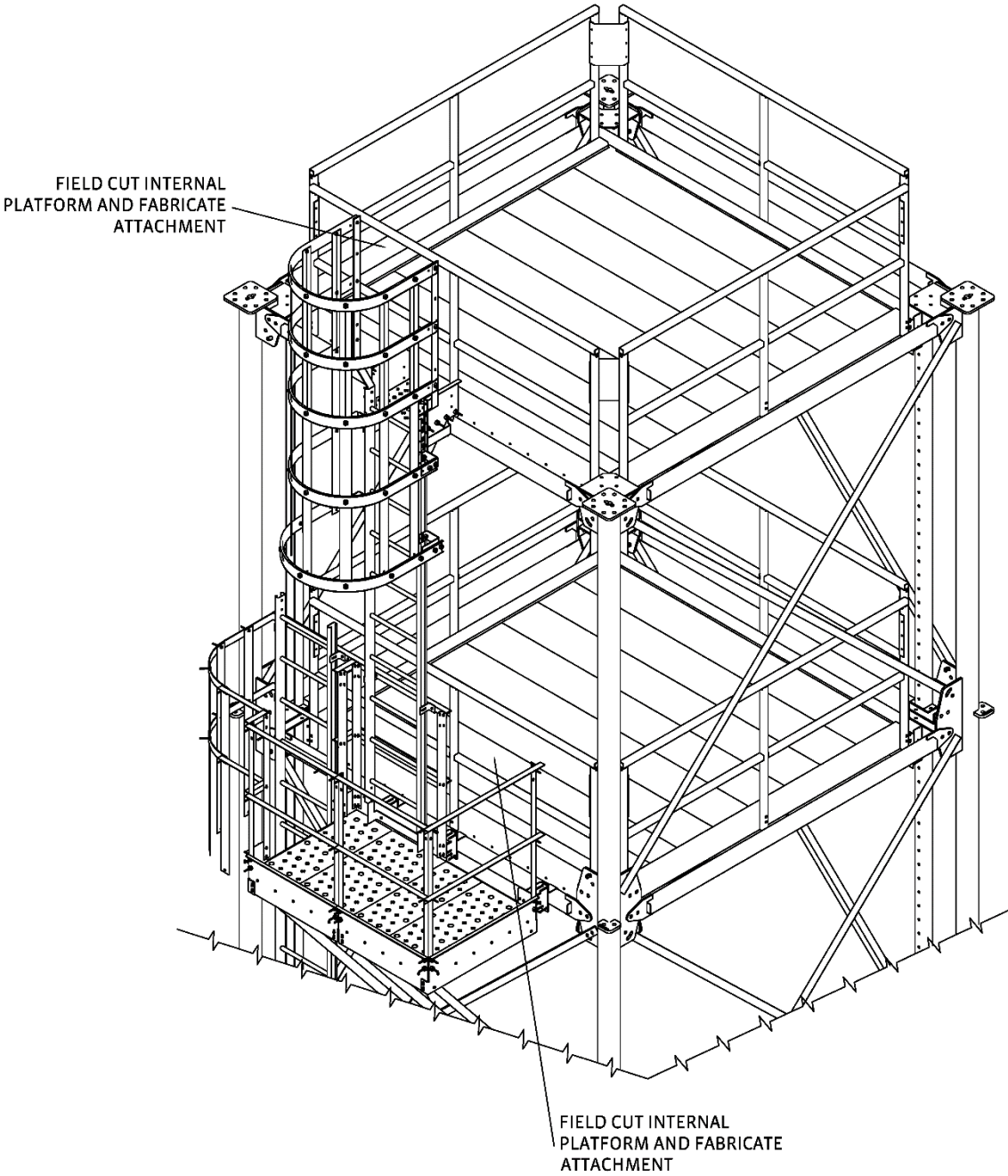
Refer to the following chart for ladder and cage sizes based upon the distance between rest platforms.

- P = Platform
- G = Ground level / Platform Level
- A = Ladder section with access door
- F = Flare cage section

20' Spacing		30' Spacing	
Ladder	Cage	Ladder	Cage
P	P	-	-
4'	6'	P	P
10'	6'F	10'	10'
10'A	-	10'	6'
G	G	4'	6'F
		10'A	-
		G	G

Interior Platform Entrance

Verify the platform location on the completed tower as described in the project specific engineering drawings supplied for the project or the [standard platform locations](#) if applicable. Field cut internal platform as required and fabricate connection.





Should you have any questions concerning assembly instructions, parts or drawings, please feel free to contact us at any of the following.

© Chief Industries, Inc. Inc.
4400 East 39th Street • PO Box 848
Kearney, NE 68847
Phone 800.359.7600

For more information about Chief Industries, Inc. and additional products or services visit our website

www.agri.Chiefind.com